

WEAVER

Cabinet & House Door Systems, Equipment & Tooling
"put the best to work in your Shop"

With your Weaver System you will receive a **PRE SETUP SYSTEM AND DOOR SAMPLES** produced by the system.

Cabinet Door Shaper Systems Pages 7-41

House Door Shaper Systems Pages 43-51

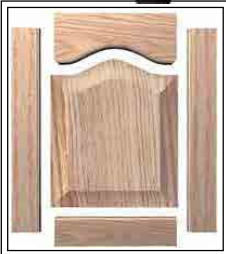
Cabinet Door Shaper Systems - Pages 7-41



Complete -
with Self-Centering Jigs,
Patterns and Industrial
Shaper Cutters

MACHINE A CROWN
RAISED PANEL DOOR...

FAST



02:52
minutes seconds

Dependable
MADE IN the U.S.A.

Powerful Motors
Solid Spindles,
heavy tops
steel frames.

Three Shaper Cabinet Door System with Air Tenon,
Power Feeder, Cutters, Crown Jigs & Patterns, etc:

3 Phase System **\$31,674**
1 Phase System **\$32,394**

For 2nd Power Feeder add \$3,594



Crown Rail & Panel Patterns



Crown Panel Jig



Crown Rail Jig



Shaper Cutters
Pages 80-135



Sawblades
Pages 181



Ball Bearing Rub Collars
Pages 136



Warning Discs
Pages 137

Coping Hold
Down
Page 166



Air Tenon Jigs
Pages 5



Manual Crown Door Jigs & Patterns
Pages 168-169



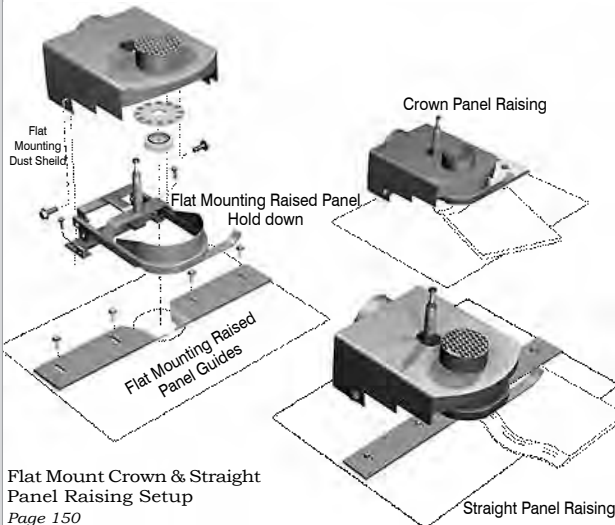
Air Crown Door
Jigs & Patterns
Pages 170-177



CALL FOR QUOTE ON YOUR CUSTOM SYSTEM NEEDS!

Shaper Essentials™

for Weaver Shapers Pages 52-79, Flat Mount Pages 139-161



Flat Mount Crown & Straight
Panel Raising Setup
Page 150

catalog Jan 2022



Cabinet Door Shaper Systems Pages 6-41



House Door Shaper Systems
Pages 43-51

Variable Speed
Belt Power Feeder
Pages 164



Edge Sander
Pages 178



Multiple Spindle Drill
Machine Pages 179



MANUFACTURED IN U.S.A.

www.weaver-company.com

Phone 1-913-831-1800

CALL TOLL FREE 1-800-255-6214

Fax 1-913-831-2974

Copyright © 2022 all Rights Reserved

WEAVER COMPANY - 1108 SOUTH 37TH STREET - KANSAS CITY, KS 66106 USA

- 1 -

Page

Cover	Cabinet Door 3 Shaper System for Crown Raised Panel Doors	
2	Table of Contents	
4	Edge Sander, Air Crown Jigs & Patterns, Multiple Spindle Drills, Manual Crown Panel & Rail Jigs and Patterns	
5	Air Tenon Jigs	
6	Weaver Variable Speed Power Feeder	
9	Shaper Systems Table of Contents	
	Cabinet Door Shaper Systems	
6	Crown Raised Panel Shaper, 2 Shaper Shaker Cabinet Door System,	30
6	2 Shaper Glass Mullion Cabinet Door System	32
7	3 Shaper Cabinet Door 5/8" Panel - Brazed Tip Tooling	34
8	6 Shaper Cabinet Door 5/8" Panel - Insert Tooling	36
10	12 Shaper Cabinet Door 3/4" Panel - Brazed Tip Tooling	37
12	9 Shaper Cabinet Door 3/4" Panel - Brazed Tip Tooling	
14	3 Shaper Cabinet Door 3/4" Panel - Brazed/Insert Tooling	
18	2 Shaper Glass Mullion Cabinet Door	
19	6 Shaper Cabinet Door 3/4" Panel - Brazed/Insert Tooling	
26	1 Shaper Door Edge Shaper - Brazed Tooling - Continuous	
27	1 Shaper Door Edge Shaper - Insert Tooling	
28	2 Shaper Shaker Cabinet Door Frame - Insert Tooling	
	House Door Shaper Systems	
43	Crown & Square - Solid Panel & Glass Mullions System	
44	Straight Tenon Shaper	
46	Straight Sticking Shaper	
48	Straight Panel Raising Shaper	
50	Crown Rail, Panel & Mullion Shaper	

52	Shaper Essentials for Weaver Shapers Table of Contents	
53	Crown Panel Trimming.....Manual Panel Jig	68
54Manual Coping Jig -Continuous Fence - Trim Table	69
55Air Tenon Jig - Continuous Fence - Trim Table	70
56Coping Hold Down - Split Fence	71
57Air Tenon Jig - Split Fence - Trim Table	72
58	Tenon.....Coping Hold Down - Continuous Fence	73
59Air Tenon Jig - Continuous Fence	74
60Coping Hold Down - Split Fence	75
61Air Tenon Jig - Split Fence	76
62	Stile & Rail Sticking.....Sticker Plate with Hold Down	77
63Sticker Plate & Power Feeder	78
64Crown Rail Sticking - Manual Setup	79
66Sticker Guide & Fence with Hold Down	
67Sticker Guide & Fence with Power Feeder	
		68
		69
		70
		71
		72
		73
		74
		75
		76
		77
		78
		79

80	Shaper Cutters Table of Contents	
81	Raised Panel Cutters..... 5/8" Single Raise or 3/4" with Partial Back Raise - Freeborn	
82 3/4" Panels, 1/2" Panels - Freeborn	
83 5/8" Panels Single Raise or 3/4" with Partial Back Raise - Insert Heads/Tips- Freeborn	
84 3/4" Panels - Insert Heads/Tips- Freeborn	
85 5/8" Single Raise or 3/4" with Partial Back Raise - Byrd	
86 5/8" Panels Single Raise or 3/4" with Partial Back Raise	
87 Shaker Cabinet Door Sets, 5/8" or 1/2" Shaker Panel - Freeborn	
88 Shaker Cabinet Door Sets, 5/8" or 1/2" Shaker Panel - Byrd	
87	Cabinet Door Stile & Rail Sets..... Shaker Cabinet Door Sets, 5/8" or 1/2" Shaker Panel - Freeborn	
88 Shaker Cabinet Door Sets, 5/8" or 1/2" Shaker Panel - Byrd	
89 Cabinet Door Sets - Easement - Byrd	
90 Cabinet Door Glass Sets - Easement - Byrd	
91 Shaker Cabinet Door Sets, 5/8" or 1/2" Shaker Panel - Byrd	
92 Cabinet Door Sets - Easement - Freeborn	
93 Cabinet Door Sets - Freeborn	
94 Cabinet Door Sets - Easement Brazed Tenon/Insert Stile - Freeborn	
95 Cabinet Door Sets - Brazed Tenon/Insert Stile - Freeborn	
96 Cabinet Door Sets - Easement Insert Cutters - Freeborn	
97 Cabinet Door Sets - Insert Cutters - Freeborn	
98 Cabinet Door Sets - Insert Cutters - Multiple Profile - Eased, Non-Eased- Freeborn	
99 Cabinet Door Sets - Braised Tip - Easement	
100 Cabinet Door Sets - Braised Tip	
101 Cope & Pattern, Window Sash - Freeborn	

Table of Contents

Weaver Catalog - Jan 2022

WEAVER

Page 2 of 2

Page	Shaper Cutters (cont.)	Page	Shaper Cutters (cont.)
102	Door Edge Cutters.....Profiles - Byrd	129	Multiform Deluxe Slip Stone.....
103Profiles - Freeborn	130	Convex Quarter Round Cutters..... Stehle "While Supplies Last!"
107	Door Edge Detail, Reversible.....Profiles - Freeborn	131	Concave Quarter Round Cutters .. Stehle "While Supplies Last!"
108	Rounds & Groovers.....Profiles - Freeborn	132	3/4" Bore 2 Wing Cutters Stehle "While Supplies Last!"
109	Easing Sets.....Profiles - Freeborn		
110	Glue Joint, Flooring.....Profiles - Freeborn		
112	House Door Stile & Rail Sets..... 1-3/8"-1-3/4" Stock - Freeborn	133	HSS House Door Cutters Stehle "While Supplies Last!"
114 2-1/4" Stock - Freeborn	134	Molding Cutters Stehle "While Supplies Last!"
116 1-3/8"-1-3/4" Glass - Freeborn		
118 2-1/4" Glass - Freeborn	136	Cutter Accessories..... Ball Bearing Rub Collars, Warning Disc, Spacers, Shims
120	Raised Panel Cutters Stehle "While Supplies Last!"	138 T-Bushings, Spacers, Shims
122	Square Edge Cutters..... Stehle "While Supplies Last!"		
123	Square Edge & Bevel Cutters Stehle "While Supplies Last!"		
124	Drawer Cutters..... Stehle "While Supplies Last!"		
125	Detail Cutters Stehle "While Supplies Last!"		
126	V-Panelling Cutters..... Stehle "While Supplies Last!"		
127	Convex Half Round Cutters..... Stehle "While Supplies Last!"		
128	Concave Half Round Cutters Stehle "While Supplies Last!"		

139	Shaper Essentials Flat Mount Table of Contents
140	Tenon Coping Hold Down - Continuous Fence
141 Air Tenon Jig - Continuous Fence
142 Coping Hold Down - Split Fence
143 Air Tenon Jig - Split Fence
144	Stile & Rail Sticking..... Sticker Plate with Hold Down
145 Sticker Plate & Power Feeder
146 Crown Rail Sticking - Manual Setup
147 Sticker Guide & Fence with Hold Down
148 Sticker Guide & Fence with Power Feeder
149	Crown Panel Trimming..... Manual Jig
150	Panel Raising Single Raise Hold Down
151 Single Raise Hold Down & Power Feeder
152 Partial Offset Hold Down
153 Partial Offset Hold Down & Power Feeder
154	Crown Rail & Panel Trimming Shapermaster™ Air Jig - Dead Collar
155 Shapermaster™ Air Jig - Bearing
156	Crown Panel Raising Shapermaster™ Air Jig - Dead Collar
157 Shapermaster™ Air Jig - Bearing
158	Crown Rail Sticking..... Shapermaster™ Air Jig - Dead Collar
159 Shapermaster™ Air Jig - Bearing
160	Door Edge..... Continuous Fence
161 Split Fence

163	Power Feeder Belts
163	Power Feeder Roller to Belt Conversion Kits, Power Feeder Rollers
164	Power Feeder

165	Steel Sticker Setup Plate
166	Air Tenon Fixture, Manual Coping Hold Down

168	Crown Door Jigs & Patterns
168	Crown Door Jigs - Manual
170	Crown Door Patterns (Wood)
171	Shapermaster - 24" Air Rail & Panel Jigs & Patterns
174	Shapermaster - 19" Air Rail & Panel Jigs & Patterns
176	Shapermaster - 32" Air Rail & Panel Jigs & Patterns

178	Edge Sander
179	Multiple Spindle Drill Machine
180	Switches, Motors & Shaper Mandrels
181	Sawblades

182	Back Cover: 2 Shaper Crown Glass Mullion Cabinet Door System, Shapermaster Air Jigs & Patterns, Manual Jigs & Patterns, Power Feeder, Air Tenon Jigs.
-----	--------------------------------------------------------------------------------------------------------------------------------------------------------------

www.weaver-company.com

Phone 1-913-831-1800

CALL TOLL FREE 1-800-255-6214

Fax 1-913-831-2974

Copyright © 2022 all Rights Reserved

WEAVER COMPANY - 1108 SOUTH 37TH STREET - KANSAS CITY, KS 66106 USA

- 3 -

Jan 2022 - 3

EDGE SANDER

"Gives Your Company The Edge It Needs"

SHAPERMASTER™

CROWN RAIL & PANEL JIG

Dependable
MADE IN the U.S.A.

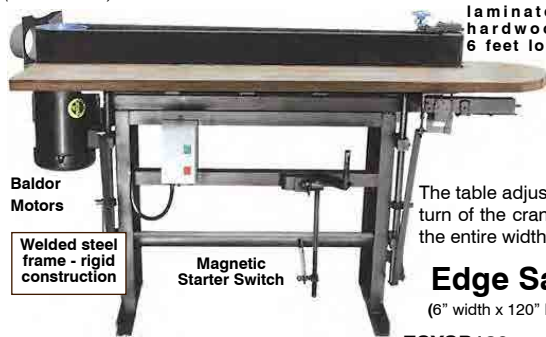
(4" Dust Chute)

Drive Wheel & Table Wheel are set back of Platen - any length of material can be sanded

Steel Platen 6" wide, 48" long straight & flat

Solid table laminated hardwood 6 feet long

Quick Action Release Makes Changing the belts fast - Belt aligning is quickly made by adjusting the knob located on top of the machine.



Baldor Motors

Welded steel frame - rigid construction

Magnetic Starter Switch

The table adjusts easily with a simple turn of the crank, allowing the use of the entire width of the sanding belt

Edge Sander Belts

(6" width x 120" length - Cloth Backing)

Edge Sanders

Item No.	Description	Price
ES1753	5 HP, 3 Ph.	\$10,194
ES1751	5 HP, 1 Ph.	\$10,794

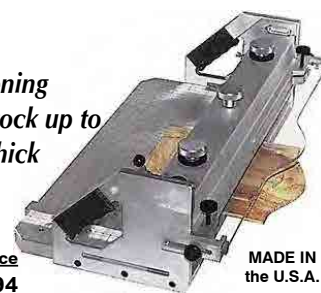
ESXSP180	180 Grit	\$23
ESXSP120	120 Grit	\$23
ESXSP100	100 Grit	\$25
ESXSP080	80 Grit	\$25
ESXSP060	60 Grit	\$27
ESXSP036	36 Grit	\$27

Pneumatic Clamps & Air Ride

24" Opening
Work with Stock up to 2 1/4" Thick

Built In Rack & Pinion Centering Device

Opening	Item No.	Price
24"	AJ2402	\$2,394



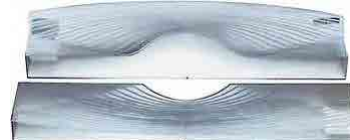
MADE IN the U.S.A.

**Air Jigs rides on an a thin cushion of air!
ACCURATE - EFFORTLESS**

PLEXIGLASS RAIL & PANEL PATTERN SETS

10 Styles Available!

Pattern Set Shown:
#PA2417 \$438



For use with Shapermaster™ Air Crown Rail & Panel Jigs

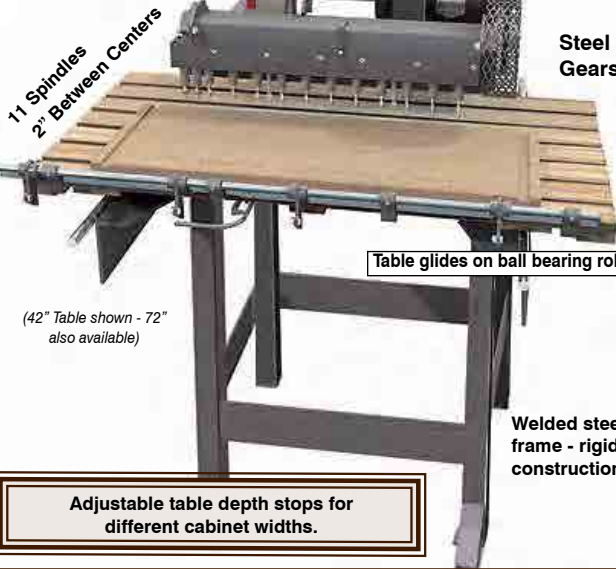
Multiple Spindle Drill For Adjustable Shelving

Drill two rows of eleven holes in your material 2" wide to 26" wide and any length material in 10 seconds

MADE IN the U.S.A.

Fast, Efficient,
Simple to operate!

Item No.	Description	Price
DM1172	1 HP, 1 PH, 72" Table	\$14394
DM1372	1 HP, 3 PH, 72" Table	\$14274
DM1142	1 HP, 1 PH, 42" Table	\$14334
DM1342	1 HP, 3 PH, 42" Table	\$14214



11 Spindles
2" Between Centers

Steel Gears

Table glides on ball bearing rollers

(42" Table shown - 72" also available)

Welded steel frame - rigid construction

1/4" or 5mm
brad point drill bits
included.

Adjustable Depth Gauge - drills uniform depth regardless of the thickness of the material

Spring loaded index pins for quick line boring

Rolling table for parallel drilling . . .

YOU DON'T HAVE TO TURN THE MATERIAL END-TO-END

Adjustable table depth stops for different cabinet widths.

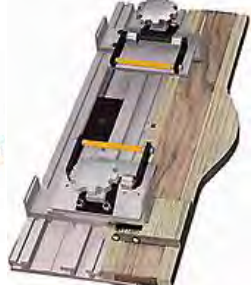
CROWN PANEL & RAIL JIGS & PATTERNS

JM330 Crown Rail Jig \$558

JM310 Crown Panel Jig \$594



MADE IN the U.S.A.



CROWN RAIL JIGS

This jig features a built-in rack & pinion gear centering device for top Rail.

CROWN PANEL JIGS

This jig features a built-in rack & pinion gear centering device for crown panels.

CROWN DOOR JIGS ARE FASTER

Just imagine, with these SELF-CENTERING JIGS you will not have to try to divide 17 7/16" by 2 or 11 15/16" by 2 or 9 9/16" by 2, and so on.

These jigs will also cut in half the number of times your employees will have to use their ruler saving you untold hours of time spent measuring and doing arithmetic. Now you and your employees can spend more time actually producing crown raised panel doors.

Wide Selection of Popular Patterns Available!



CROWN RAIL PATTERN SET (PA427 \$318 Shown)

CROWN PANEL PATTERN SET (PA417 \$318 Shown)

MANUFACTURED IN U.S.A.

Phone 1-913-831-1800

CALL TOLL FREE 1-800-255-6214

Fax 1-913-831-2974

4 - Jan 2022 -4-

WEAVER COMPANY - 1108 SOUTH 37TH STREET - KANSAS CITY, KS 66106 USA

Copyright © 2022 all Rights Reserved

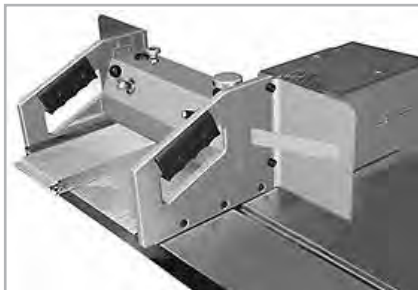
www.weaver-company.com

WEAVER

AIR TENON FIXTURE

WEAVER

The Air Tenon Fixture comes in 4 models.
Air Jigs ride on a thin cushion of air!



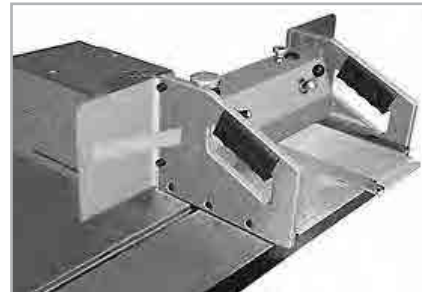
AJ1201LW 12" Air Tenon Jig "left",
clockwise cutter rotation.

ACCURATE - EFFORTLESS

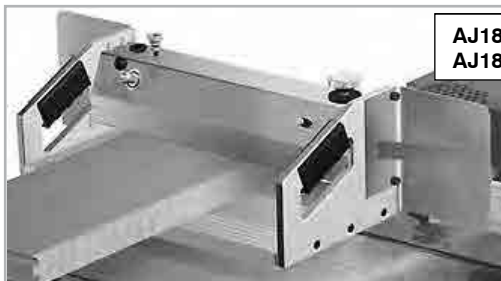
THESE JIGS RIDE IN A STANDARD 3/8" x 3/4" GROOVE
IN YOUR SHAPER'S TOP.

Air Tenon Fixtures:

AJ1201LW	12" Wide	"Left"	\$ 1,434
AJ1201RW	12" Wide	"Right"	\$ 1,434

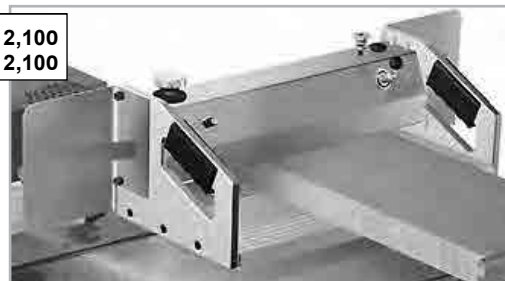


AJ1201RW 12" Air Tenon Jig "right",
counter clockwise cutter rotation.



AJ1801LW 18" Air Tenon Jig "left",
clockwise cutter rotation.

AJ1801LW	18" Wide	"Left"	\$ 2,100
AJ1801RW	18" Wide	"Right"	\$ 2,100



AJ1801RW 18" Air Tenon Jig "right",
counter clockwise cutter rotation.

MADE IN the U.S.A.

FOR YOUR CONVENIENCE

QUICK DELIVERY - Many items are in stock. We ship ground UPS and large items are shipped via motor freight. Next Day Air and Priority Mail 2nd Day Air UPS is available.

EXTENDED HOURS - We come in early and stay late to accomodate both the East and West coast, so you can call now.

CUSTOM SERVICE - For your custom ball bearing rub collars, custom shaper cutters, or custom shaping system, call us today.

TOLL FREE NUMBER - Call 1-800-255-6214 with your order or question for customer service - our staff is eagerly waiting to help you. We are here most Saturdays.

Weaver Company
1108 South 37th Street
Kansas City, KS 66106 U.S.A.
1-800-255-6214

FAX (913) 831-2974 PHONE (913) 831-1800

LIMITED WARRANTY Products sold or manufactured by us have limited warranty of one year from the date of purchase against defects in material and workmanship. No other warranties are implied.

© 2022 Weaver Company

All rights reserved.
Reproduction in whole or part prohibited. Prices subject to change without notice

LLAME A U.S.A. POR COBRAR AL 1-800-255-6214
NUESTRO PERSONAL HABLA ESPANOL,
ESTAMOS PARA SERVIRLE

- WARNING** - The Equipment and Tooling in this literature can be dangerous.
- ALWAYS** - Keep hands so they cannot be pulled or pushed into cutters.
- ALWAYS** - Wear safety glasses.
- ALWAYS** - Keep all cutters completely covered with proper hold downs, fences, warning discs and Dust Shields.
- ALWAYS** - Be sure to follow these safety rules and all other general shop safety procedures plus your local, state and national safety standards when using the equipment and tooling in this literature.

Catalog Jan 2022

NOTE: In some of our pictures and illustrations the warning discs, Dust Shields and some accessories have been removed for better illustration of the cutter and work.

MANUFACTURED IN U.S.A.

www.weaver-company.com

Phone 1-913-831-1800

CALL TOLL FREE 1-800-255-6214

Fax 1-913-831-2974

SHAPING MACHINERY & TOOLING FOR YOUR SHOP!

Industry Leading Quality & Production made Affordable

. . . Shaper Systems, Cutters, Shaper Essentials, Saw Blades, Power Feeders . . .

CROWN RAISED PANEL SHAPER FOR \$8,914

RAISED PANEL HOLD DOWN, GUIDES, BALL BEARING RUB COLLAR

RAISED PANEL CUTTER

SHAPER WRENCHES

(Other Profiles Available)

2 SHAPER SHAKER CABINET DOOR SYSTEM FOR \$21,594

STEEL STICKER PLATE

VARIABLE SPEED BELT POWER FEEDERS

AIR TENON JIG

TENON FENCE

SHAPER WRENCHES

STILE & RAIL CUTTER SET

For your Shaping Needs Call Toll Free 1-800-255-6214

GLASS MULLION CABINET DOOR SHAPER SYSTEM

for the frame, divided light & grille mullions ...

\$23,994

SH1316 Shaper 3HP
(1-1/4" Spindle 28" x 20" Top)

SH1316 Shaper 3HP
(1-1/4" Spindle 28" x 20" Top)

1 Phase System **\$23,946**
3 Phase System **\$23,754**

Weaver Belt Power Feeder

Variable Speed for running different types of material and depth of cut

Sticking Setup For Frame & Mullions

2 Shaper Glass Mullions Cabinet Door System with Air Tenon Jig, Power Feeder, Cutters and accessories to produce square and crown glass cabinet doors with grille and true divided light mullions.

Air Tenon Fixture
#AJ1201RW **\$1,434**

Opening 11 7/8" Wide, Work with Stock up to 2 1/4" Thick

MADE IN THE U.S.A.

Continuous Duty

Works Anywhere 110 Volts

300-lb. Torque Motor

MADE IN THE U.S.A.

VARIABLE SPEED BELT POWER FEEDER

Hinged for quick removal - Easily lifted out of the way to use jig, shaper or change cutters

Item No. Description Price

PF721W Weaver Double Bond Belt Power Feeder **\$3,594**

Angle of belts are easily adjusted - feed stock into fence or away from fence.

INDUSTRIAL MACHINE ECONOMICALLY PRICED!

WEAVER DOOR SYSTEMS

*Crown Raised Panel Cabinet Door Systems, Equipment & Tooling
make your production simpler . . .*

QUICK:

Be able to come up with add-on orders or replace any doors needed in the installation of a kitchen . . .

EFFICIENT:

Producing custom sizes, types of wood, raise panel, finished ends, island cabinets, and door designs using convenient and accurate jigs and patterns . . .

COMPLETE:

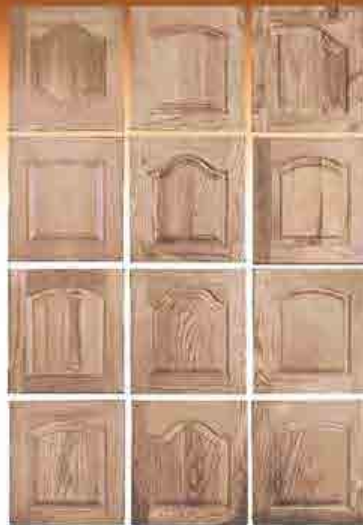
The job - move those cabinets out of the shop as you can make the doors and panels you need to finish!

MACHINE A CROWN RAISED PANEL DOOR . . .

FAST



02:52
minutes seconds



Wide Selection of Pattern Styles Available



Finished Ends, Wainscotting & more virtually any length



*With your Weaver System you will receive a **PRE SETUP SYSTEM AND DOOR SAMPLES** produced by the system.*

3 Shaper Cabinet Door System

\$31,794

Complete -
with Self-Centering Jigs,
Patterns and Industrial
Shaper Cutters



Strong -
1-1/4" Spindles, cast iron,
heavy ribbed tops, welded
steel frames.

Dependable
MADE IN the U.S.A.

Powerful -
Continuous Duty
Baldor Motors

Note: In some of our pictures and illustrations the safety covers, dust hoods and some accessories have been removed for better illustration of the cutter and work.

Three Shaper Cabinet Door System with Air Tenon, Power Feeder, Cutters, Crown Jigs & Patterns, etc:

For 2nd Power Feeder add \$3,594

3 Phase System **\$31,794**
1 Phase System **\$32,394**

CALL FOR QUOTE ON YOUR CUSTOM SYSTEM NEEDS!

3 Shaper Cabinet Door System

THIS SYSTEM COMES COMPLETE WITH:



3 - Weaver Heavy Duty Industrial Shapers

Crown Panel Jig

Crown Rail Jig

Air Tenon Fixture



Crown Rail, Crown
Panel Hardwood
Pattern Sets

Cutters: Raised Panel, Stile
& Rail Sets, Panel Trimming



Weaver Variable Speed
Belt power Feeder

Raised Panel
Hold Down

PLUS Dust Hoods, Rub Collars, Fences, Sticking Setup, & other essentials for machining Crown Raised Panel Cabinet Doors!

Catalog Jan 2022

Weaver Company
1108 South 37th Street
Kansas City, KS 66106-2028

CALL TOLL FREE
1-800-255-6214

Phone 1-913-831-1800 - Fax 1-913-831-2974
weaver-company.com

Jan 2022 7

WEAVER

Dependable
MADE IN the U.S.A.

6-Shaper Cabinet Door System \$68,994

Powerful -
Continuous Duty
Motors

Complete -
with Self-Centering Jigs,
Patterns and Industrial
Shaper Cutters



Strong -
spindles,
heavy tops,
welded steel frames.

weaver-company.com

With your Weaver System you will receive a **PRE SETUP SYSTEM AND DOOR SAMPLES** produced by the system.

6 SHAPER CABINET DOOR SYSTEM THIS SYSTEM COMES COMPLETE WITH:

MACHINE A CROWN RAISED
PANEL DOOR . . .

FAST



02:52
Minutes Seconds

**6 SHAPER CABINET
DOOR SYSTEM**

DEDICATED . . .

TENONING

STILE & RAIL STICKING

CROWN RAIL & PANEL
TRIMMING

CROWN RAIL
STICKING

CROWN PANEL RAISING

STRAIGHT PANEL RAISING



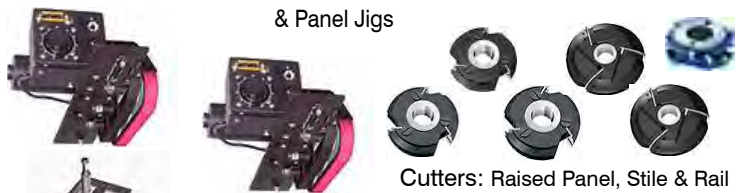
6 Weaver Heavy Duty Industrial Shapers (3 Standard, 3 Large Top)



Air Tenon Fixture

2 Air Crown Rail
& Panel Jigs

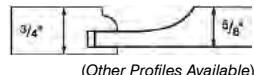
Plexiglass Rail &
Panel Patterns



Cutters: Raised Panel, Stile & Rail
Sets, Rail & Panel Trimming

2 Weaver Variable Speed
Belt power Feeders

Raised Panel Hold Down



(Other Profiles Available)

6 Shaper Cabinet Door System with Air Tenon Jig, 2 Air Crown Jigs, 2 Power Feeders, Cutters & Patterns, etc:

Note: In some of our pictures and illustrations the safety covers, dust hoods and some accessories have been removed for better illustration of the cutter and work.

3 Phase System **\$68,994**
1 Phase System **\$70,794**

CALL FOR QUOTE ON YOUR CUSTOM SYSTEM NEEDS!

PLUS Hold Downs, Dust Hoods, Rub Collars, Fences, Sticking Setup, & other accessories for machining Crown Raised Panel Cabinet Doors

Weaver Company
1108 South 37th Street
Kansas City, KS 66106-2028

CALL TOLL FREE
1-800-255-6214

Phone 1-913-831-1800 - Fax 1-913-831-2974
weaver-company.com

(Copyright © 2022 Weaver Company All Rights Reserved)

WEAVER

Shaper Systems Table of Contents

<u>Page</u>	<u>Cabinet Door Shaper Systems</u>
1	3 Shaper Cabinet Door 5/8" Panel - Brazed Tip Tooling
6	1 Shaper Panel Raising System
6	Shaper Shaker Cabinet Door Frame Shaper System
6	2 Shaper Crown Glass Mullion Cabinet Door Shaper System
7	3 Shaper Cabinet Door 5/8" Panel - Brazed Tip Tooling
8	6 Shaper Cabinet Door 5/8" Panel - Insert Tooling
10	12 Shaper Cabinet Door 3/4" Panel - Brazed Tip Tooling
12	9 Shaper Cabinet Door 3/4" Panel - Brazed Tip Tooling
14	3 Shaper Cabinet Door 3/4" Panel - Brazed/Insert Tooling
18	2 Shaper Glass Mullion Cabinet Door
19	6 Shaper Cabinet Door 3/4" Panel - Brazed/Insert Tooling
26	1 Shaper Door Edge Shaper - Insert Tooling
27	1 Shaper Door Edge - Insert Tooling
28	2 Shaper Shaker Cabinet Door Frame - Insert Tooling
30	2 Shaper Shaker Cabinet Door Frame - Brazed Tip Tooling
32	1 Shaper Shaker Cabinet Door Frame - Brazed Tip Tooling
34	1 Shaper Shaker Straight Panel Raising
36	1 Shaper Cabinet Door 3/4" Panel - Brazed Tooling - Coping Hold Down
37	1 Shaper Cabinet Door 5/8" Panel - Insert Tip Tooling - Air Tenon
38	1 Shaper Cabinet Door 5/8" Panel Brazed Coping - Hold Down
182	2 Shaper Glass Mullion Cabinet Door
<u>Page</u>	<u>House Door Shaper Systems</u>
43	4 Shaper Crown & Square - Solid Panel & Glass Mullions System
44	Straight Tenon Shaper
46	Straight Sticking Shaper
48	Straight Panel Raising Shaper
50	Crown Rail, Panel & Mullion Shaper

MANUFACTURED IN U.S.A.

www.weaver-company.com

Phone 1-913-831-1800

CALL TOLL FREE 1-800-255-6214

Fax 1-913-831-2974

Copyright © 2022 all Rights Reserved

WEAVER COMPANY - 1108 SOUTH 37TH STREET - KANSAS CITY, KS 66106 USA

- 9 -

Jan 2022 - 9

Weaver's 12 Shaper System Gives You These Capabilities:



1 TENONING #1201

The Air Tenon Jig secures the rail with pneumatic clamp and glides on an ultra thin cushion of air making the operation effortless.

2 STILE AND RAIL STICKING #1202

This Sticking set up sizes material at the same time it is being shaped. It cuts consistently and easily

3 STRAIGHT PANEL RAISING #1203

Power Feeding panels with Hold Down & guides makes raising panels accurate & easy.

4 CROWN RAIL STICKING #1204

This will shape the crown rail as the pattern follows the rub collar. The operation is made easier by the Jig gliding on a thin cushion of air.

5 CROWN RAIL & PANEL TRIMMING #1205

This trims crown rail & panel as the pattern follows the rub collar. The operation is made easier by the Jig gliding on a thin cushion of air.

6 CROWN PANEL RAISING #1206

This will raise the crown as the panel pattern follows the rub collar. The operation is made easier by the Jig gliding on a thin cushion of air.

7 GLASS TENONING #1207

The Air Tenon Jig secures the rail with pneumatic clamp and glides on an ultra thin cushion of air making the operation effortless.

8 GLASS STRAIGHT STICKING #1208

This Sticking set up sizes material at the same time it is being shaped. It cuts consistently and easily.

9 SHAKER TENONING #1209

The Air Tenon Jig secures the rail with air clamp on a thin cushion of air for an effortless operation.

10 SHAKER STRAIGHT STICKING #1210

This Sticking set up sizes material at the same time it is being shaped. It cuts consistently and easily.

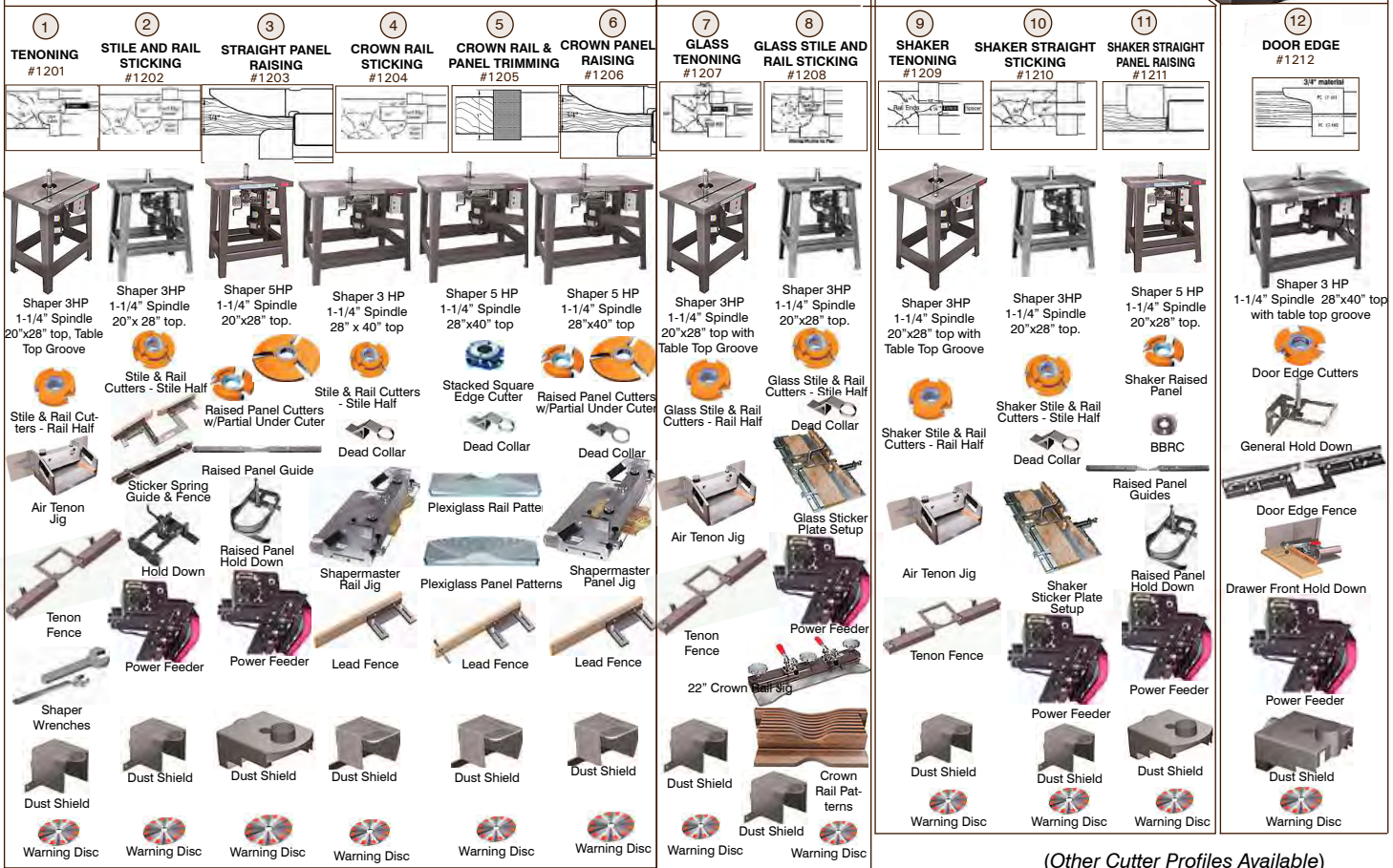
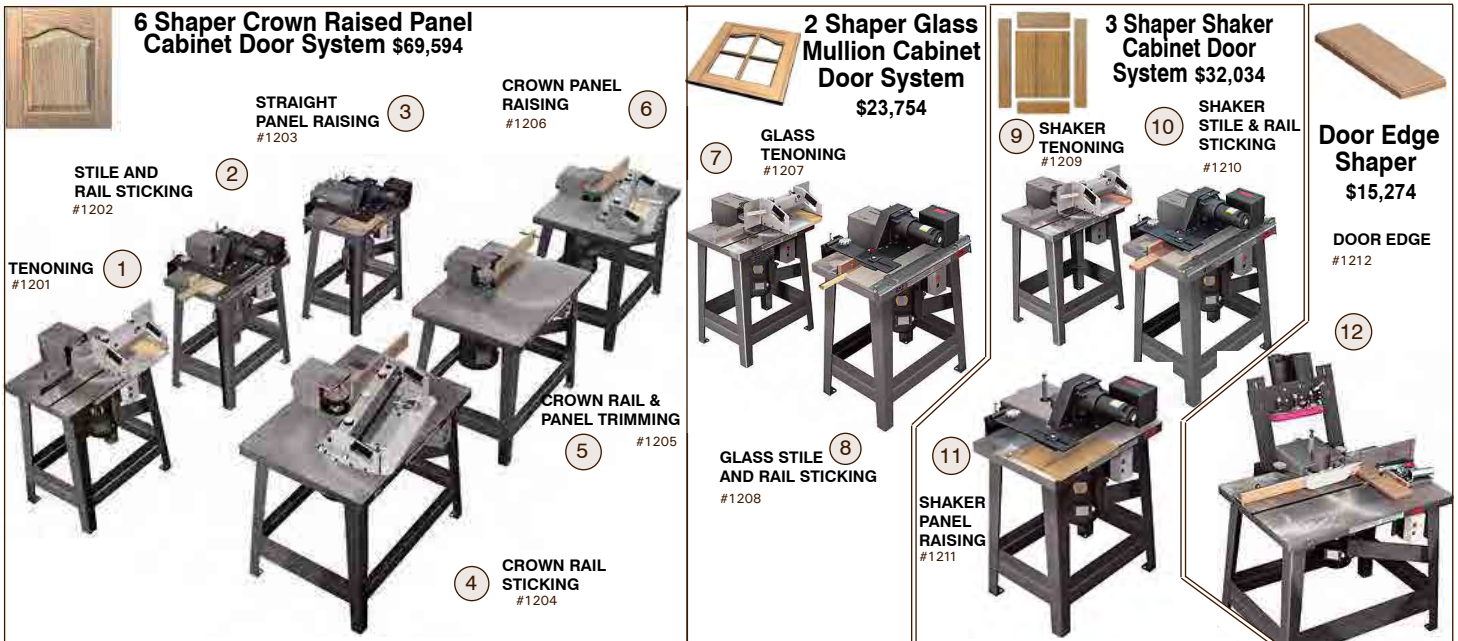
11 SHAKER STRAIGHT PANEL RAISING #1211

Power Feeding panels with Hold Down & guides makes raising panels accurate & easy.

12 DOOR EDGE #1212

With the Fence, Hold Down and Drawer Front Jig, this is an excellent Door & Drawer edge shaping operation.

12 Shaper Crown Raised Panel, Glass & Shaker Cabinet Door System with Door Edge \$140,656



(Other Cutter Profiles Available)

Weaver Door Systems:

	1 Phase System	3 Phase System
6 Shaper Crown Raised Panel Cabinet Door System (#1201, 1202, 1203, 1204, 1205, 1206)	\$ 65,394	\$ 69,594
2 Shaper Glass Mullion Cabinet Door System (#1207, 1208)	\$ 23,994	\$ 23,754
3 Shaper Shaker Cabinet Door System (#1209, 1210, 1211)	\$ 32,394	\$ 31,914
1 Door Edge Shaper (#1212)	\$ 15,394	\$ 15,274
12 Shaper Crown Raised Panel, Shaker & Glass Cabinet Door System with Door Edge (#1201 thru #1212)	\$143,176	\$140,776

With your Weaver System you will receive a PRE SETUP SYSTEM AND DOOR SAMPLES produced by the system.

Weaver's 9 Shaper System Gives You These Capabilities:



1a TENONING #901a

The Air Tenon Jig secures the rail with pneumatic clamp and glides on an ultra thin cushion of air making the operation effortless.

1b CROWN PANEL TRIMMING #901b

This trims crown panel as the rub collar, follows the pattern.

2a STILE AND RAIL STICKING #902a

This Sticking set up sizes material at the same time it is being shaped. It cuts consistently and easily.

2b CROWN RAIL STICKING #902b

This will shape the crown rail as the rub collar, follows the pattern. The operation is made fast and uniform by use of the jig & pattern.

3a STRAIGHT PANEL RAISING #903a

The Hold Down, and Guides ensure the work is accurate.

3b CROWN PANEL RAISING #903b

The Raised Panel Hold Down, Ball Bearing Rub Collar and Guides allow the crown panels to be raised accurately.

4 GLASS TENONING #904

The Air Tenon Jig secures the rail with pneumatic clamp and glides on an ultra thin cushion of air making the operation effortless.

5 GLASS STRAIGHT STICKING #905

This Sticking set up sizes material at the same time it is being shaped. It cuts consistently and easily.

6 SHAKER TENONING #906

The Air Tenon Jig secures the rail with air clamp and glides on a thin cushion of air for an effortless operation.

7 SHAKER STRAIGHT STICKING #907

This Sticking set up sizes material at the same time it is being shaped. It cuts consistently and easily.



8 SHAKER STRAIGHT PANEL RAISING #908

The Hold Down, and Guides ensure the work is accurate.

9 DOOR EDGE #909

With the Fence, Hold Down and Drawer Front Jig, this is an excellent Door & Drawer Edge shaping operation.

9 Shaper Crown Raised Panel, Glass & Shaker Cabinet Door System with Door Edge \$95,152

 <p>3 Shaper Crown Raised Panel Cabinet Door System \$32,154</p> <p>STRAIGHT & CROWN STILE AND RAIL STICKING #902a #902b (2a/2b)</p> <p>TENONING & PANEL TRIMMING #901a #901b (1a/1b)</p> <p>STRAIGHT & CROWN PANEL RAISING #903a #903b (3a/3b)</p>	 <p>2 Shaper Glass Mullion Cabinet Door System \$22,878</p> <p>GLASS TENONING #904 (4)</p> <p>GLASS STILE AND RAIL STICKING #905 (5)</p> <p>(For Crown, Add \$730)</p>	 <p>3 Shaper Shaker Cabinet Doors System \$28,440</p> <p>SHAKER TENONING #906 (6)</p> <p>SHAKER STICKING #907 (7)</p> <p>SHAKER PANEL RAISING #908 (8)</p>	 <p>Door Edge Shaper \$11,680</p> <p>DOOR EDGE #909 (9)</p>
<p>1a TENONING #901a, 1b CROWN PANEL TRIMMING #901b, 2a STILE AND RAIL STICKING #902a, 2b CROWN RAIL STICKING #902b, 3a STRAIGHT PANEL RAISING #903a, 3b CROWN PANEL RAISING #903b</p> 	<p>4 GLASS TENONING #904, 5 GLASS STILE AND RAIL STICKING #905</p> 	<p>6 SHAKER TENONING #906, 7 SHAKER STICKING #907, 8 SHAKER PANEL RAISING #908</p> 	<p>9 DOOR EDGE #909</p> 

Weaver Door Systems:

	1 Phase System	3 Phase System
3 Shaper Crown Raised Panel Cabinet Door System (#901A/B, #902A/B, #903A/B)	\$ 32,454	\$ 32,154
2 Shaper Glass Mullion Cabinet Door System (#904, 905) (for crown, add \$458)	\$ 23,078	\$ 22,878
3 Shaper Shaker Cabinet Door System (#906, 907, 908)	\$ 28,740	\$ 28,440
1 Door Edge Shaper (#909)	\$ 1,1780	\$11,680
9 Shaper Crown Raised Panel, Shaker & Glass Cabinet Door System with Door Edge (#901A/B THRU #909)	\$ 96,052	\$95,152

(Other Cutter Profiles Available)

With your Weaver System you will receive a **PRE SETUP SYSTEM AND DOOR SAMPLES** produced by the system.

Weaver Company
1108 South 37th Street
Kansas City, KS 66106-2028

CALL TOLL FREE
1-800-255-6214

Phone 1-913-831-1800 - Fax 1-913-831-2974
weaver-company.com

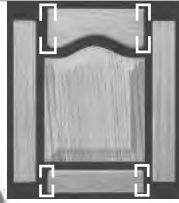
(Copyright © 2022 Weaver Company All Rights Reserved)

Jan 2022 - 13

WEAVER 3 SHAPER CROWN RAISED PANEL CABINET DOOR SYSTEM

SHAPER 1 of 3

SH1316 Shaper 3HP
(1-1/4" Spindle 20" x 28" Top)
with **Table Groove**



Shaper For Tenon and Panel Trimming (with Alloy Brazed Tip Rail Cutter)

Note: In some of our pictures and illustrations the warning discs, Dust Shields, and some accessories have been removed for better illustration of the cutter and work.

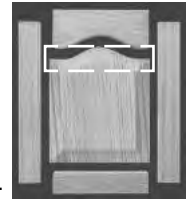
- | Item# | Description |
|---------------------|----------------------------------------------|
| SH1316 | Shaper 3HP
(1-1/4" Spindle 20" x 28" Top) |
| SH1X38 | Table Groove |
| FREPT-10-010-C-501E | 1-1/4" Bore Brazed Tip Rail Cutter Set |
| AJ1201RW | Air Tenon Jig |
| FE27 | Split Tenon Fence |
| WD4166 | Warning Disc 4-1/2" OD x 1-1/4" ID |
| DS442 | Dust Shield for Air Tenon & Panel Trimming |
| WR620 | Top Wrench |
| WR6180 | Bottom Wrench |



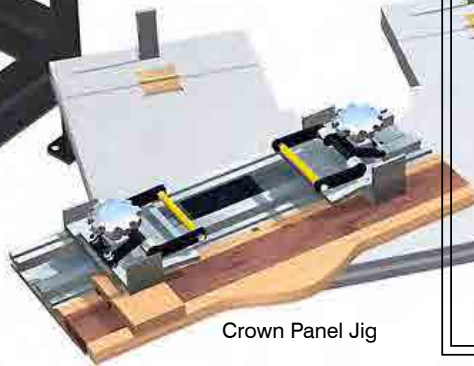
Panel Trimming

After tenoning, flip down the FE365 table to trim your panels without changing cutters or spindle height

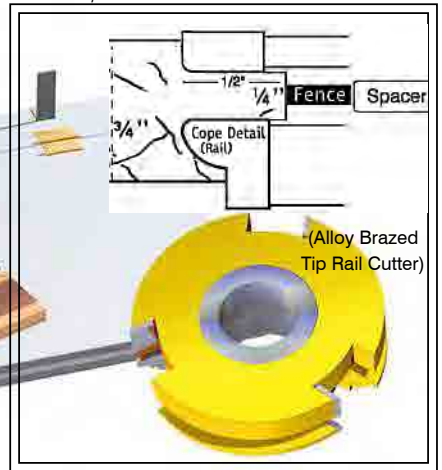
- | | |
|----------|----------------------------------------------|
| FE365 | Hinged Table Top for Trimmer |
| FRE8389 | Trimming Cutter 2W Carbide Sq. Edge |
| DC21621 | Dead Collar for 4-3/4" SC 2-1/2" OD x 2-5/8" |
| JM310-22 | Crown Panel Jig 22" Opening |
| PA410-17 | Hardwood Patterns 2" Crown - Panel - 17 Pc. |
| WD4166 | Warning Disc 4-1/2" OD x 1-1/4" ID |



Hinged Table Top



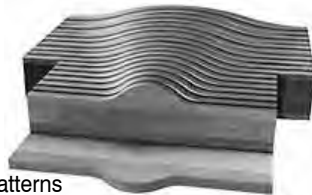
Crown Panel Jig



Tenon Fence



Set of 17 Crown Panel Patterns
Door sizes 9 1/2" to 26"



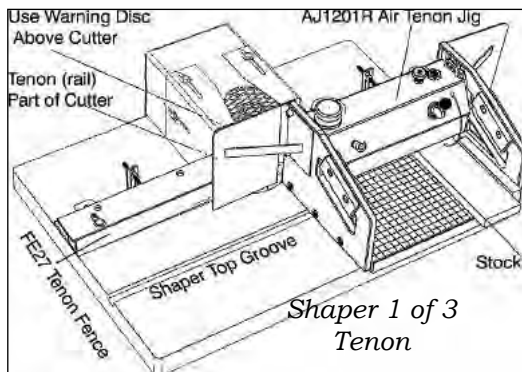
Square Edge Cutter
2W Carbide for Panel
Trimming



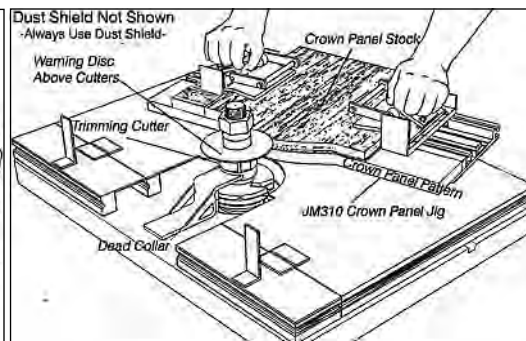
Dead Collar 2-1/2" O.D.



Dust Shield Tenon/Trim



Shaper 1 of 3
Tenon



Shaper 1 of 3 Crown Panel Trimming



Top & Bottom Shaper Wrenches -
Warning Discs

MANUFACTURED IN U.S.A.

www.weaver-company.com

Phone 1-913-831-1800

CALL TOLL FREE 1-800-255-6214

Fax 1-913-831-2974

Copyright © 2022 all Rights Reserved

WEAVER COMPANY - 1108 SOUTH 37TH STREET - KANSAS CITY, KS 66106 USA

- 15 -

WEAVER 3 SHAPER CROWN RAISED PANEL CABINET DOOR SYSTEM

SHAPER 2 of 3

SH1316 Shaper 3HP
(1-1/4" Spindle, 20"x28" top)

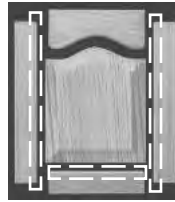


Shaper for Stile and Rail Sticking
(with Alloy Insert Tip Stile Cutter)

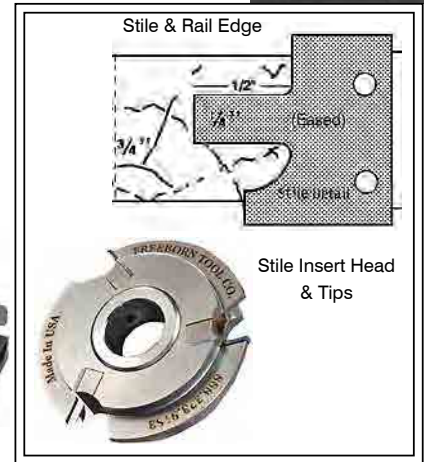
Straight & Crown Setup

- | Item# | Description |
|-----------------|--------------------------------------------------|
| SH1316 | Shaper 3HP
(1-1/4" Spindle, 20"x28" top) |
| FREIT-10-010-PE | 1-1/4" Bore Stile Head with Insert Tips (3) |
| DC31612 | -for-4-3/4"SC - Dead Collar 3-1/2"ODx1-1/2" Tall |
| FE360H | Sticker Plate Setup with Hold Down |
| PA420-17 | Hardwood Patterns 2" Crown - Rail - 17 Piece |
| JM330-22 | Crown Rail Jig 22" Opening |
| PF721W | Variable Speed Double Bond Belt Feeder |
| DS445 | Dust Shield for Curved & Straight Rail |
| WD4246 | Warning Disc 4-3/4" ODx1-1/4" ID |

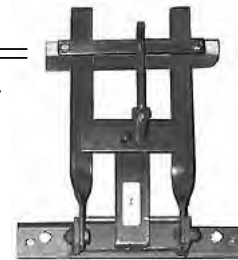
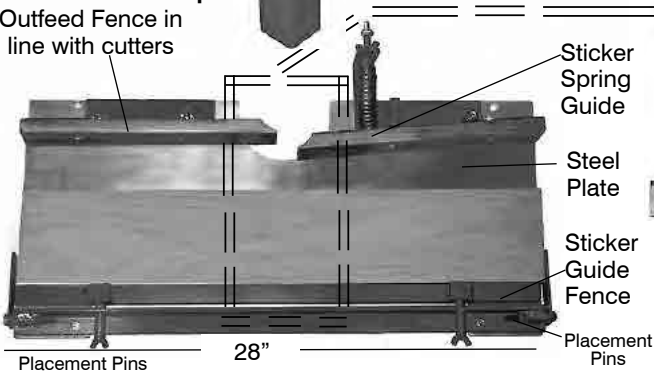
Note: In some of our pictures and illustrations the warning discs, Dust Shields, and some accessories have been removed for better illustration of the cutter and work.



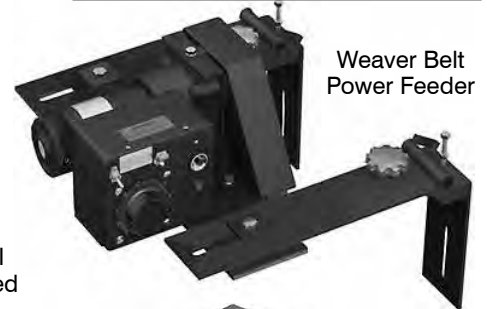
JM330 Crown Rail Jig



Steel Sticker Setup
Outfeed Fence in line with cutters



Flat Mount General Hold Down - Included w/Sticker Plate



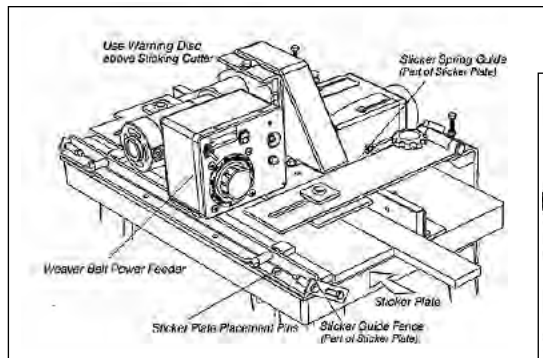
Weaver Belt Power Feeder



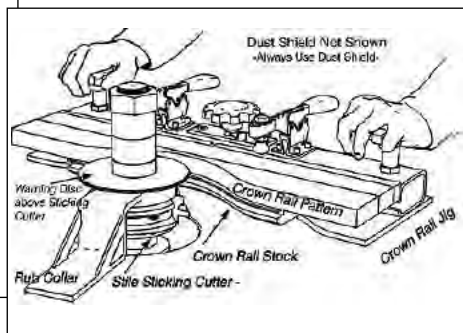
Dead Collar



Sticking Dust Shield



Shaper 2 of 3 Sticking



Shaper 2 of 3 Crown Rail Sticking



Set of 17 Crown Rail Patterns door sizes 9 1/2" to 26"

MANUFACTURED IN U.S.A.

Phone 1-913-831-1800

CALL TOLL FREE 1-800-255-6214

www.weaver-company.com
Fax 1-913-831-2974

WEAVER 3 SHAPER CROWN RAISED PANEL CABINET DOOR SYSTEM

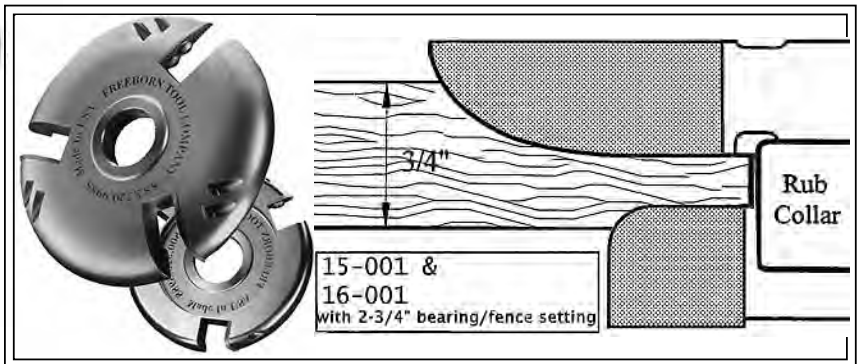
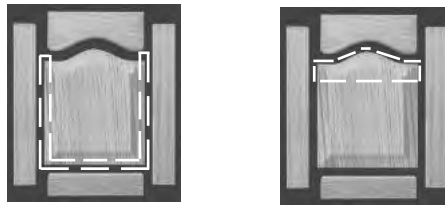
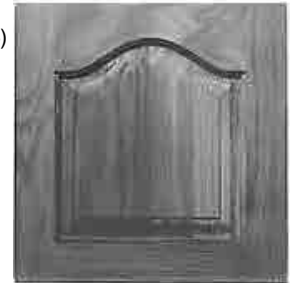
SHAPER 3 of 3

SH1516 Shaper
5HP (1-1/4" Spindle, 20"x28" top)

Shaper for Panel Raising Straight & Crown Setup
(with Alloy Insert Tip Raised Panel Cutters)

- | Item# | Description |
|-------------|-------------------------------------------------|
| SH1516 | Shaper 5HP
(1-1/4" Spindle, 20"x28" top) |
| FREIT15-001 | Raised Panel Cutter Head
1-1/4"ID w/tips (3) |
| FREIT16-001 | Partial Under Raiser Cutter Head with tips(3) |
| FE275028 | Partial Offset Raised Panel Guides 2-3/4" |
| BB2246 | Ball Bearing Rub Collar |
| HD3100 | Raised Panel Hold Down |
| PF721W | Weaver Double Bond Belt Power Feeder |
| DS465 | Raised Panel Dust Shield |
| WD6086 | Warning Disc 6-1/4"ODx1-1/4"ID |

Note: In some of our pictures and illustrations the warning discs, Dust Shields, and some accessories have been removed for better illustration of the cutter and work.



Raised Panel & Partial Under Raiser Heads & tips.



Weaver Belt Power Feeder



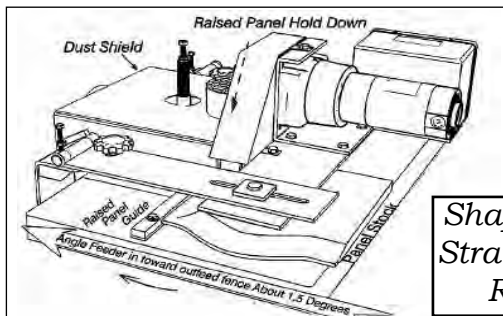
Raised Panel Hold Down

Raised Panel Dust Shield

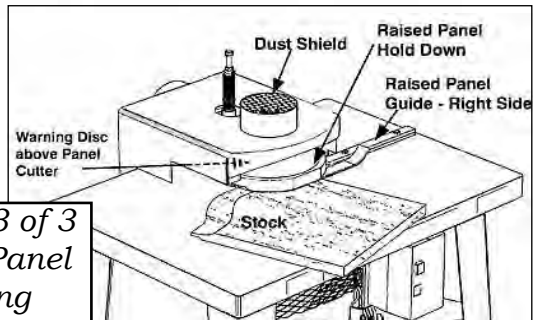


Raised Panel Guides & Ball Bearing Rub Collar

NOTE: For Crown Raising, use only the infeed side of the Fence



Shaper 3 of 3
Straight Panel Raising



Shaper 3 of 3
Crown Panel Raising

IPAGES-SY-3SS-3/4

MANUFACTURED IN U.S.A.

Phone 1-913-831-1800

CALL TOLL FREE 1-800-255-6214

Fax 1-913-831-2974

Copyright © 2022 all Rights Reserved

WEAVER COMPANY - 1108 SOUTH 37TH STREET - KANSAS CITY, KS 66106 USA

www.weaver-company.com

- 17 -



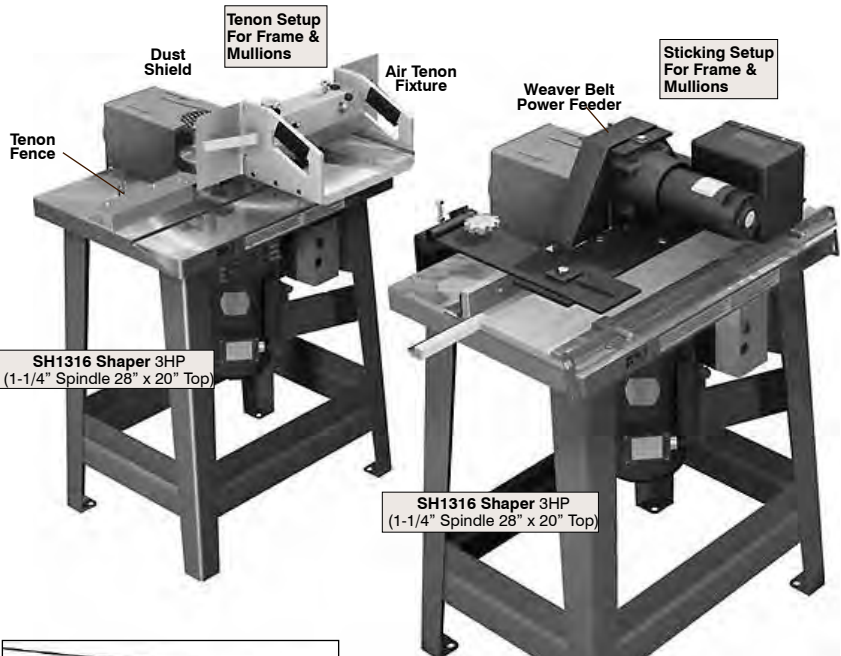
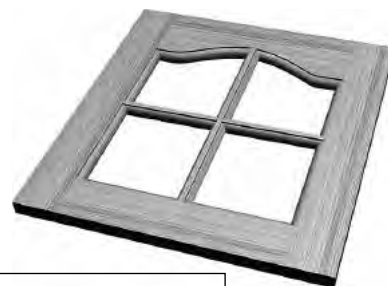
GLASS MULLION CABINET DOOR 2 SHAPER SYSTEM

WEAVER

for the frame, divided light & grille mullions ...

2 Shaper Glass Mullions Cabinet Door System with Air Tenon Jig, Power Feeder, Cutters and accessories to produce square and crown glass cabinet doors with mullions.

\$23,994



Tenon Setup For Frame & Mullions

Sticking Setup For Frame & Mullions

Tenon Fence

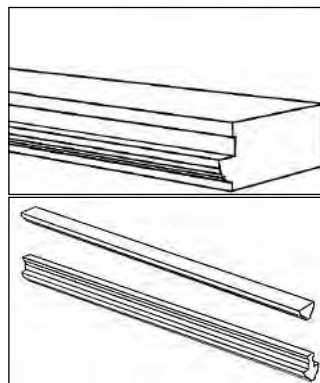
Dust Shield

Air Tenon Fixture

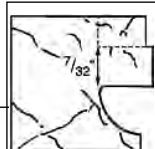
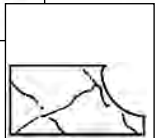
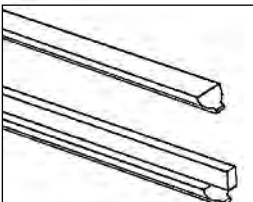
Weaver Belt Power Feeder

SH1316 Shaper 3HP (1-1/4" Spindle 28" x 20" Top)

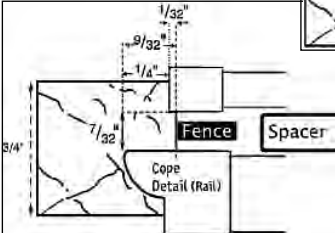
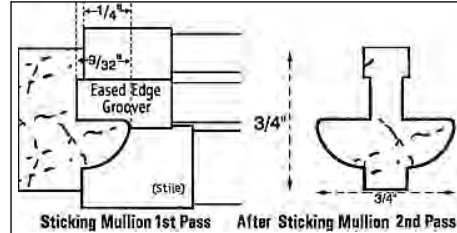
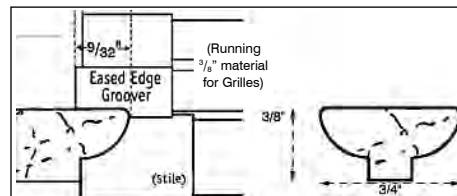
SH1316 Shaper 3HP (1-1/4" Spindle 28" x 20" Top)



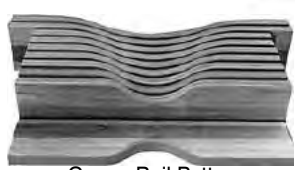
Brazed Tip Stile & Rail Set For Glass Doors - Stile Half



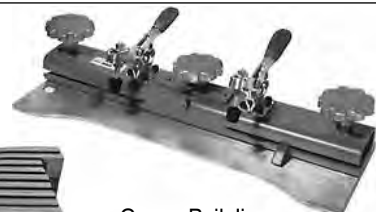
Dead Collar



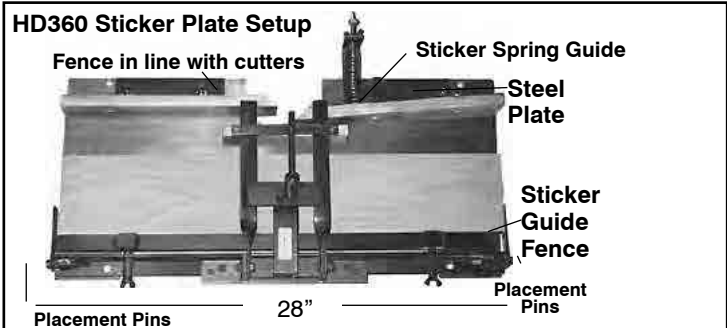
Brazed Tip Stile & Rail Set For Glass Doors - Rail Half



Crown Rail Patterns



Crown Rail Jig



Weaver Variable Speed Belt Power Feeder



Top & Bottom Shaper Wrenches - Warning Discs

MANUFACTURED IN U.S.A.

Phone 1-913-831-1800

CALL TOLL FREE 1-800-255-6214

Fax 1-913-831-2974

- 18 -

WEAVER COMPANY - 1108 SOUTH 37TH STREET - KANSAS CITY, KS 66106 USA

Copyright © 2022 all Rights Reserved

WEAVER 6 SHAPER CROWN RAISED PANEL CABINET DOOR SYSTEM

SHAPER 1 of 6 TENONING

Page 2 of 7

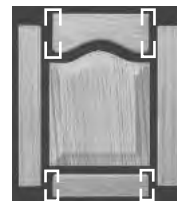
SH1336 Shaper 3HP
 (1-1/4" Spindle 20" x 28" Top)
 with **Table Groove**



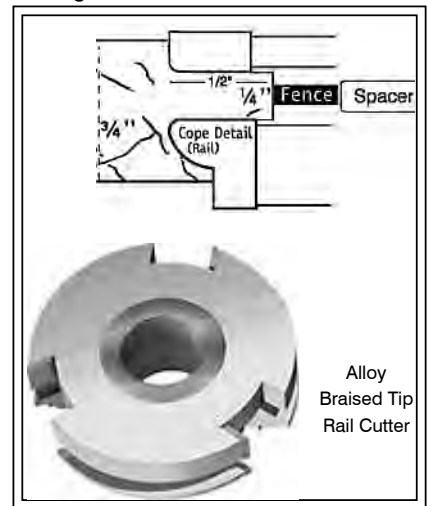
Note: In some of our pictures and illustrations the warning discs, Dust Shields, and some accessories have been removed for better illustration of the cutter and work.

Shaper for Tenon

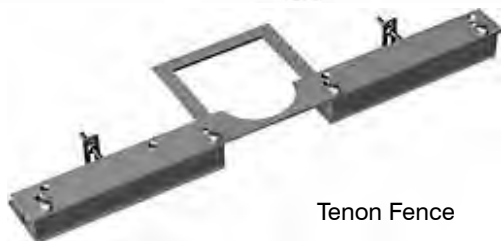
Item#	Description
SH1336	Shaper 3HP (1-1/4" Spindle, 20"x28"top)
SHIX38	Table Groove
FREPT-10-010-E01	1-1/4" Bore Brazed Tip Rail Cutter Set w/Easement
AJ1201RW	Air Tenon Jig
FE27	Tenon Fence
DS440	Dust Shield for Air Tenon
WR620	Top Wrench
WR6180	Bottom Wrench
WD4166	Warning Disc 4-1/2"OD x 1-1/4"ID



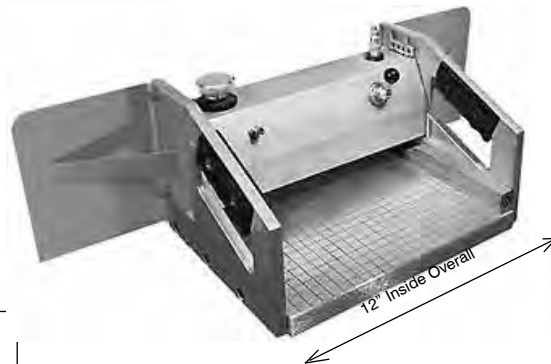
Warning Disc



Alloy Brazed Tip Rail Cutter



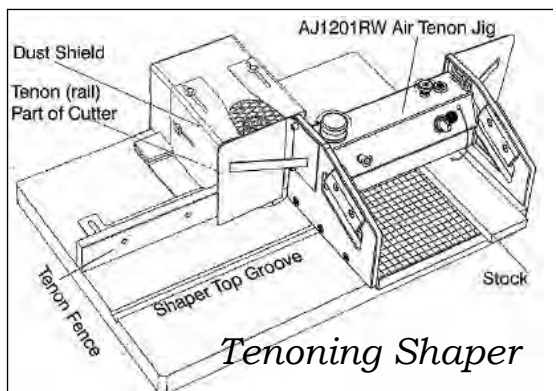
Tenon Fence



Air Tenon Jig - Travels in 3/4" x 3/8" groove



Dust Shield for Air Tenon



Tenoning Shaper



Shaper Wrenches

MANUFACTURED IN U.S.A.

Phone 1-913-831-1800

CALL TOLL FREE 1-800-255-6214

www.weaver-company.com
 Fax 1-913-831-2974

- 20 -

WEAVER COMPANY - 1108 SOUTH 37TH STREET - KANSAS CITY, KS 66106 USA

Copyright © 2022 all Rights Reserved

WEAVER 6 SHAPER CROWN RAISED PANEL CABINET DOOR SYSTEM

SHAPER 2 of 6 STRAIGHT STICKING

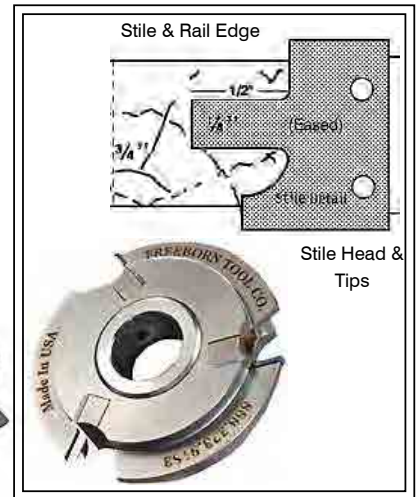
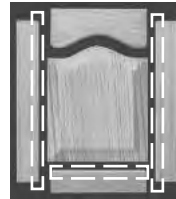
Page 3 of 7

SH1336 Shaper 3HP
(1-1/4" Spindle 20" x 28" Top)

Note: In some of our pictures and illustrations the warning discs, Dust Shields, and some accessories have been removed for better illustration of the cutter and work.

Straight Stile & Rail Sticking

- | Item# | Description |
|-----------------|---------------------------------------------|
| SH1336 | Shaper 3HP
(1-1/4" Spindle, 20"x28"top) |
| FREIT-10-010-PE | 1-1/4" Bore Stile Head with Insert Tips (3) |
| FE211 | Sticker Spring Guide |
| FE213H | Sticker Guide Fence w/Hold Down |
| PF721W | Variable Speed double bond belt Feeder |
| DS443 | Dust Shield for Straight Stiles |
| WD4246 | Warning Disc 4-3/4"ODx1-1/4"ID |



Sticker Spring Guide

Dust Shield for Straight Sticking

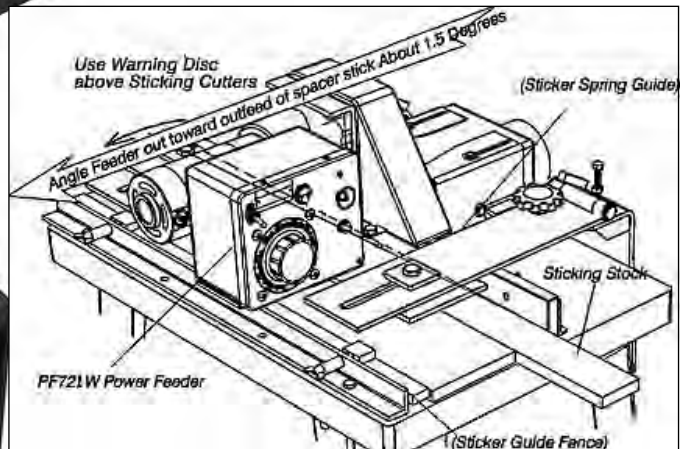
Sticker Guide Fence



Warning Disc



Weaver Belt Power Feeder



Straight Sticking Shaper

MANUFACTURED IN U.S.A.

www.weaver-company.com

Phone 1-913-831-1800

CALL TOLL FREE 1-800-255-6214

Fax 1-913-831-2974

Copyright © 2022 all Rights Reserved

WEAVER COMPANY - 1108 SOUTH 37TH STREET - KANSAS CITY, KS 66106 USA

- 21 -

WEAVER 6 SHAPER CROWN RAISED PANEL CABINET DOOR SYSTEM

SHAPER 3 of 6 STRAIGHT PANEL RAISING

Page 4 of 7

SH1536 Shaper 5HP
(1-1/4" Spindle 20" x 28" Top)

Note: In some of our pictures and illustrations the warning discs, Dust Shields, and some accessories have been removed for better illustration of the cutter and work.

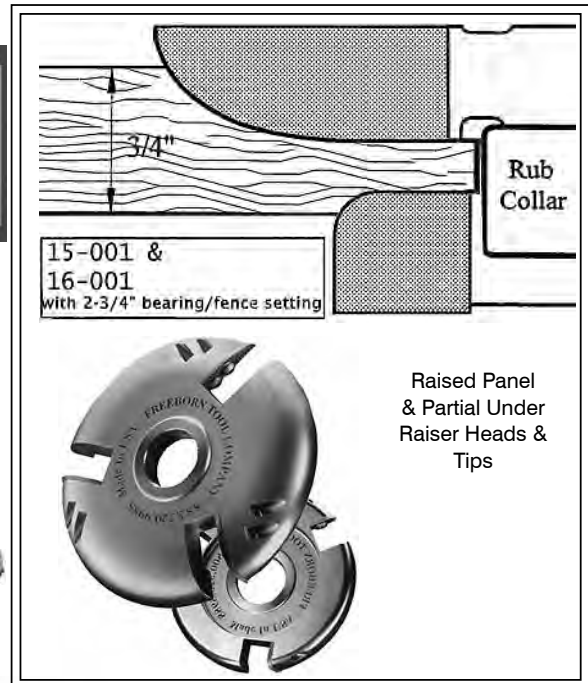
Shaper for Straight Panel Raising

Item#	Description
SH1536	Shaper 5HP (1-1/4" Spindle, 20"x28"top)
FREIT15-001	Raised Panel Cutter Head 1-1/4" Bore w/tips (3)
FREIT16-001	Partial Under Raiser Cutter Head with tips(3)
FE2752801	Continuous Offset Raise Panel Guide
HD3100	Raised Panel Hold Down
PF721W	Variable Speed double-bond belt Feeder
DS460	Dust Shield for Straight Raised Panel
WD6086	Warning Disc



Warning Disc

Straight Panel Fence



15-001 & 16-001 with 2-3/4" bearing/fence setting

Rub Collar

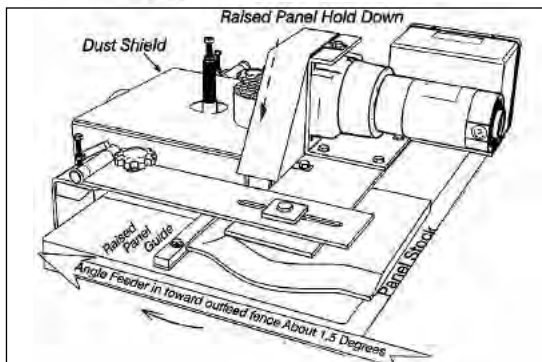
Raised Panel & Partial Under Raiser Heads & Tips



Raised Panel Hold Down



Raised Panel Dust Shield



Weaver Belt Power Feeder

Straight Panel Raising Shaper
MANUFACTURED IN U.S.A.

Phone 1-913-831-1800

CALL TOLL FREE 1-800-255-6214

Fax 1-913-831-2974

www.weaver-company.com

WEAVER 6 SHAPER CROWN RAISED PANEL CABINET DOOR SYSTEM

SHAPER 4 of 6 PANEL & RAIL TRIMMING

Page 5 of 7

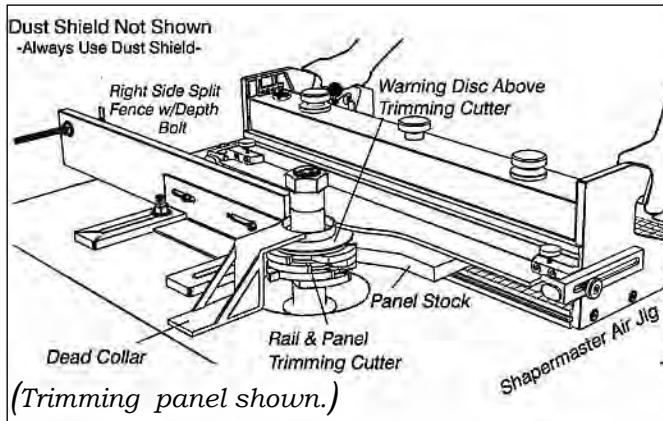
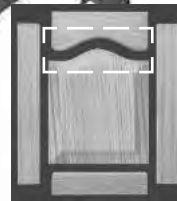
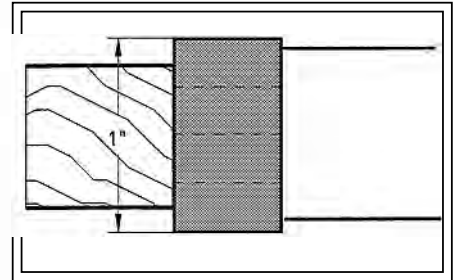
SH2536 Shaper 5HP
(1-1/4" Spindle 28" x 40" Top)

Note: In some of our pictures and illustrations the warning discs, Dust Shields, and some accessories have been removed for better illustration of the cutter and work.



Shaper for Rail & Panel Trimming

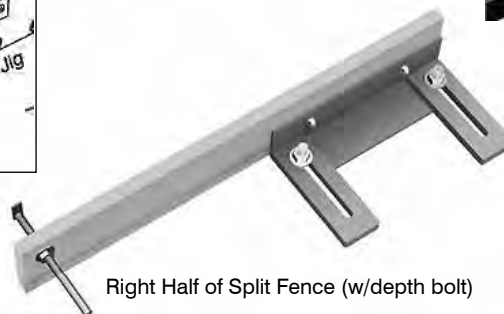
Item#	Description
SH2536	Shaper 5HP (1-1/4" Spindle, 28"x40"top)
C9936V	Stacked Rail & Panel Trimming Cutter
DC312-308-22-3-1/2	Double O.D. for Trimmer
FE77	Right Half of Split Fence w/Depth Bolt
DS470	Dust Shield for Rail & Panel Trimming with Shapermasters
WD4086	Warning Disc - 4-1/4"ODx1-1/4"ID



Rail & Panel Trimming Shaper

Warning Disc

Dust Shield for Shapermasters



Right Half of Split Fence (w/depth bolt)

MANUFACTURED IN U.S.A.

www.weaver-company.com

Phone 1-913-831-1800

CALL TOLL FREE 1-800-255-6214

Fax 1-913-831-2974

Copyright © 2022 all Rights Reserved

WEAVER COMPANY - 1108 SOUTH 37TH STREET - KANSAS CITY, KS 66106 USA

- 23 -

Jan 2022 - 23

WEAVER 6 SHAPER CROWN RAISED PANEL CABINET DOOR SYSTEM

SHAPER 5 of 6 SHAPING CROWN RAIL

Page 6 of 7

SH2336 Shaper 3HP
(1-1/4" Spindle 28" x 40" Top)



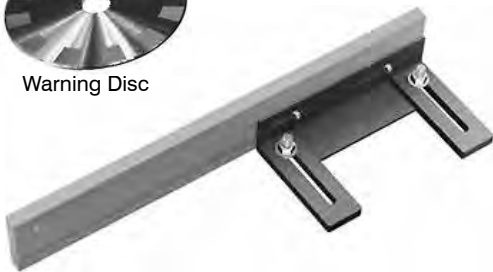
Note: In some of our pictures and illustrations the warning discs, Dust Shields, and some accessories have been removed for better illustration of the cutter and work.

Shaper for Crown Rail Sticking

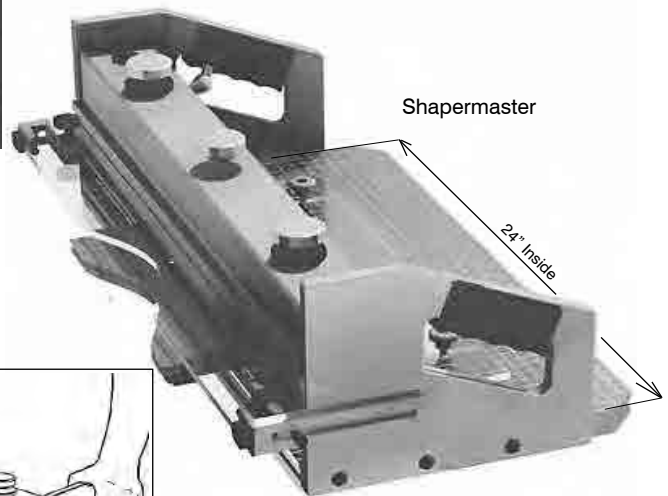
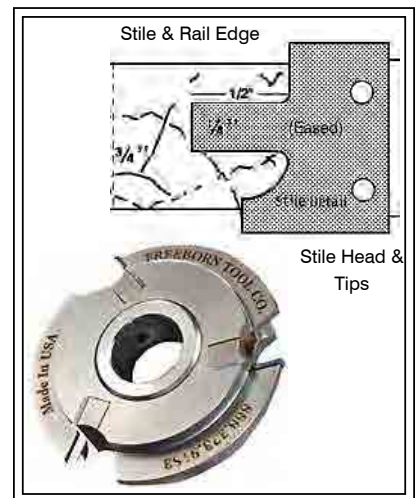
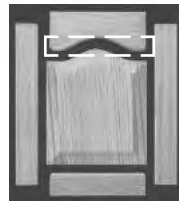
Item#	Description
SH2336	Shaper 3HP (1-1/4" Spindle, 28"x40"top)
FREIT-10-010-PE	1-1/4" Bore Stile Head with Insert Tips (3)
DC31630	Dead Collar for 4-3/4"WD 3-1/2" ODx3-3/4" Height
AJ2402	Shapermaster 24" x 12"
PA2417	Plexiglass Patterns - 1-1/2" Crown Rail & Panel
DS470	Dust Shield for Shapermasters
FE78	Right Half of Split Fence
WD4246	Warning Disc



Warning Disc



Right Half of Split Fence

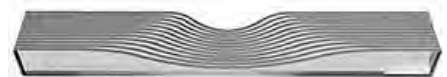
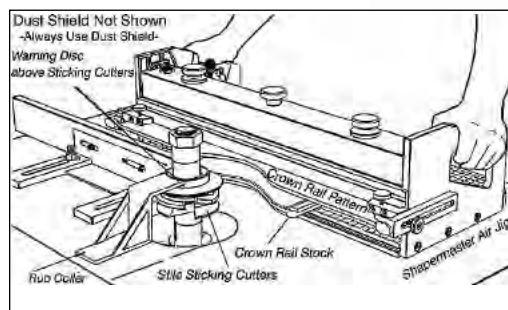


Shapermaster

24" Inside



Dust Shield for Shapermasters



Plexiglass Patterns -
Crown Rail

MANUFACTURED IN U.S.A.

Crown Rail Shaper

Phone 1-913-831-1800

CALL TOLL FREE 1-800-255-6214

www.weaver-company.com

Fax 1-913-831-2974

- 24 -

WEAVER COMPANY - 1108 SOUTH 37TH STREET - KANSAS CITY, KS 66106 USA

Copyright © 2022 All Rights Reserved

WEAVER 6 SHAPER CROWN RAISED PANEL CABINET DOOR SYSTEM

SHAPER 6 of 6 CROWN PANEL RAISING

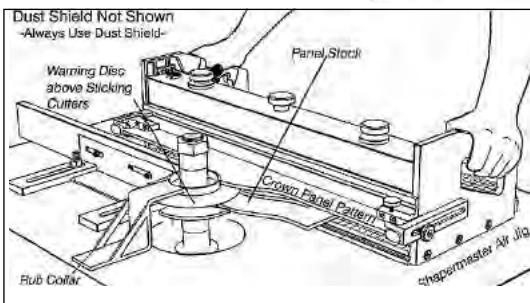
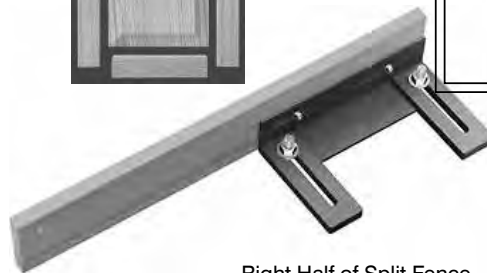
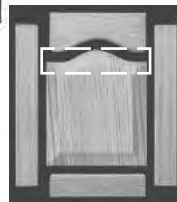
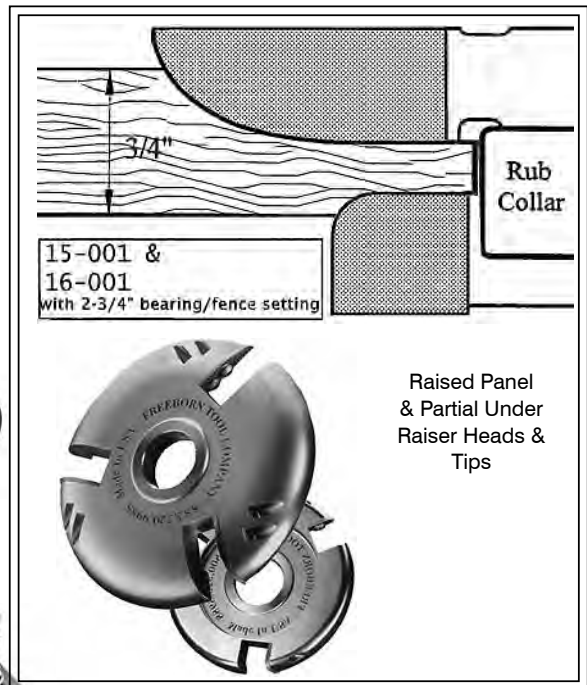
Page 7 of 7

SH2536 Shaper 5HP
(1-1/4" Spindle 28" x 40" Top)

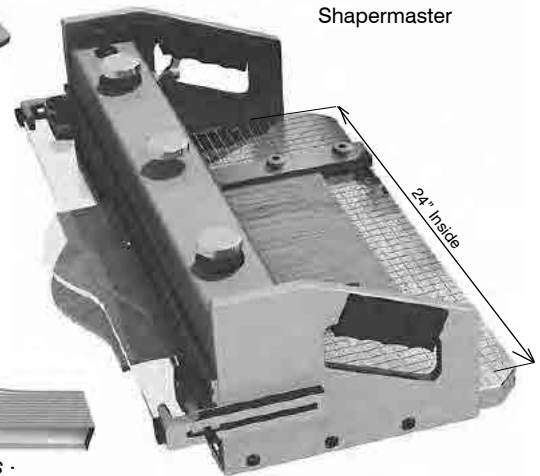
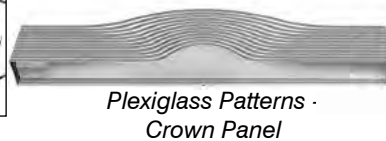
Note: In some of our pictures and illustrations the warning discs, Dust Shields, and some accessories have been removed for better illustration of the cutter and work.

Shaper for Crown Panel Raising

Item#	Description
SH2536	Shaper 5HP (1-1/4" Spindle, 28"x40"top)
FREIT15-001	Raised Panel Cutter Head 1-1/4" Bore w/tips (3)
FREIT16-001	Partial Under Raiser Cutter Head with tips (3)
AJ2402	Shapermaster 24" x 12"
DC22422	Dead Collar for 6-1/4" WD - 2-3/4"ODx2-3/4"ID
FE78	Right Half of Split Fence
DS470	Dust Shield
WD6086	Warning Disc - 6-1/4" ODx1-1/4"ID



Crown Panel Shaper



MANUFACTURED IN U.S.A.

www.weaver-company.com

Phone 1-913-831-1800

CALL TOLL FREE 1-800-255-6214

Fax 1-913-831-2974

Copyright © 2022 all Rights Reserved

WEAVER COMPANY - 1108 SOUTH 37TH STREET - KANSAS CITY, KS 66106 USA

- 25 -



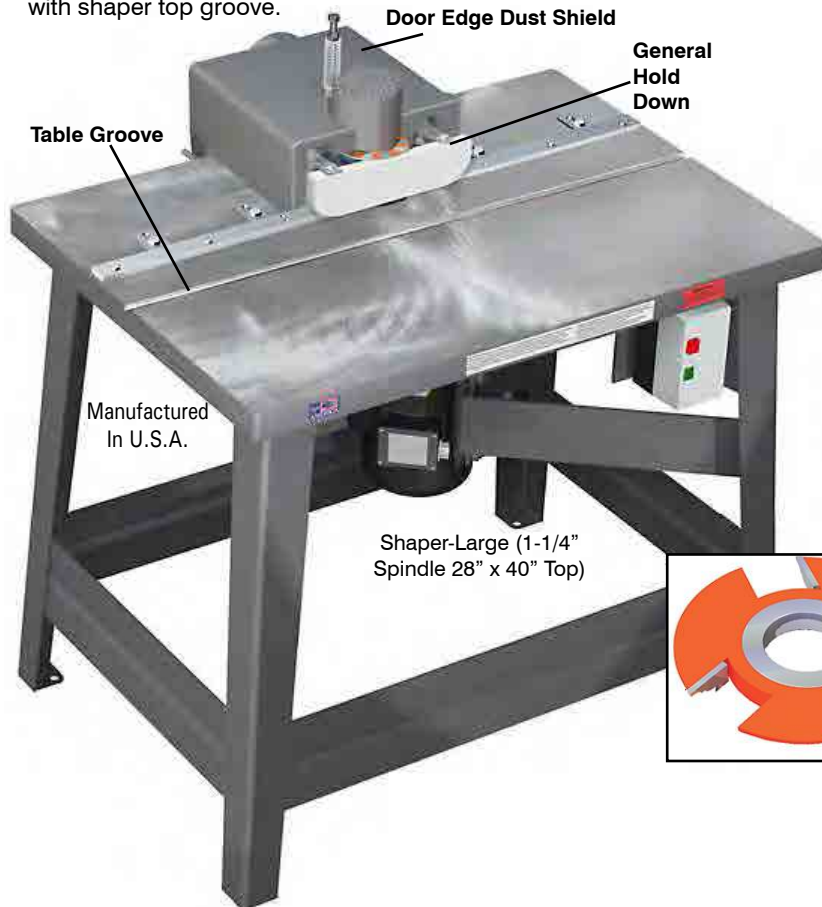
Manufactured
In U.S.A.

DOOR EDGE SHAPER

WEAVER

SH2316 Shaper 3HP
(1-1/4" Spindle 28" x 40" Top)
with shaper top groove.

Note: In some of our pictures and illustrations the warning discs, dust shields, and some accessories have been removed for better illustration of the cutter and work.



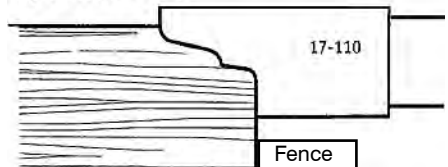
Door Edge Setup

Item#	Description
SH2316	Shaper-Large 3HP (3/4" Spindle 28" x 40" Top)
SH2X39	Table Groove
FREPC17-110	Door Edge Top Cutter (Braided Tip)
FEDE2240-U	Continuous Door Edge Fence - Slotted
HD3150	General Hold Down
DS480	Dust Shield for Door Edge
HD222	Drawer & Drawer Front Hold Down
WR620	Top Wrench
WR6180	Bottom Wrench
WD4166	Warning disc

System Total: \$11,800



3/4" material



General Hold Down



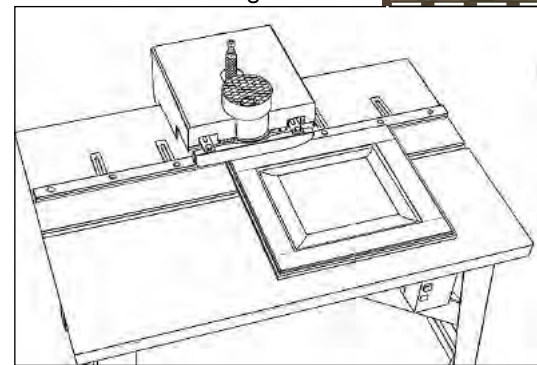
Drawer & Drawer Front Hold Down



Dust shield For Door Edge



Top & Bottom Shaper Wrenches - Warning Disc



Continuous Door Edge Fence

MANUFACTURED IN U.S.A.

Phone 1-913-831-1800

CALL TOLL FREE 1-800-255-6214

www.weaver-company.com
Fax 1-913-831-2974



Manufactured
In U.S.A.

DOOR EDGE SHAPER

WEAVER

Note: In some of our pictures and illustrations the warning discs, Dust Shields, and some accessories have been removed for better illustration of the cutter and work.

SH2316 Shaper

3HP (1-1/4" Spindle 28" x 40" Top) with shaper top groove.

Split Double Adjusting Fence

Table Groove

Door Edge Dust Shield

General Hold Down

Drawer Ends Hold Down

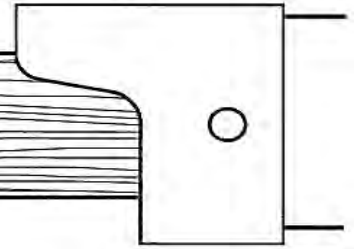
Stock

Shaper-Large
(1-1/4" Spindle 28" x 40" Top)

Door Edge Setup

Item#	Description
SH2316	Shaper-Large 3HP (1-1/4" Spindle 28" x 40" Top)
SH2X39	Table Groove
FE5640	Split Door Edge Fence w/Dual Adj.
HD3150	General Hold Down
HD222	Drawer Ends Hold Down
DS482	Dust Shield for Door Edge
BYDE1RH	Byrd Door Edge Head - CCW FU with BYRD-1DERH Insert Tips (3)
WR620	Top Wrench
WR6180	Bottom Wrench
WD5086	Warning Disc

System Total: \$11,860



Door Edge Head - CCW FU & Door Edge Profile Tips

Top & Bottom Shaper Wrenches - Warning Disc



General Hold Down



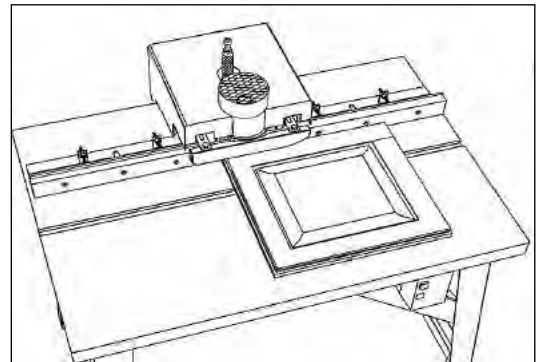
Dust Shield For Door Edge



Split Door Edge Fence with Dual Adjustments



Drawer Ends Hold Down



MANUFACTURED IN U.S.A.

www.weaver-company.com

Phone 1-913-831-1800

CALL TOLL FREE 1-800-255-6214

Fax 1-913-831-2974

Copyright © 2022 all Rights Reserved

WEAVER COMPANY - 1108 SOUTH 37TH STREET - KANSAS CITY, KS 66106 USA

- 27 -

WEAVER

2 SHAPER SHAKER CABINET DOOR FRAME SYSTEM *How it Works* with Air Tenon Jig and Power Feeder



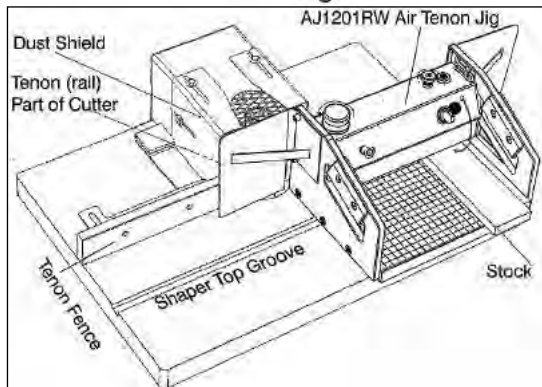
The system you receive will be preset by a craftsman and shipped to you with samples.

This system uses two machines to make a shaker cabinet door, usually consisting of two 3 HP shapers. Shaper One is setup for tenoning the rails. Shaper Two is setup for running straight stiles. Since the system is two separate shapers you will be able to position them in your shop to maximize your shop's production needs.

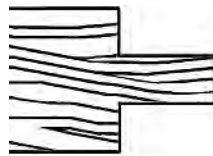


Your system will arrive with the shaper cutters on the shapers already adjusted. Accessories will be adjusted and most mounted to the shapers. You can start producing shortly after the equipment arrives. You can produce doors with one man or two men - and can efficiently make 100 doors or make just one door without changing setups.

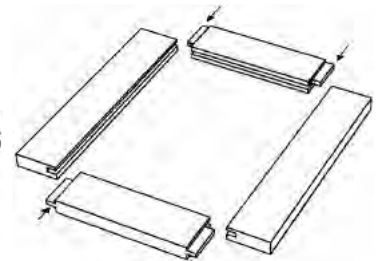
A power feeder is included on the stile shaper. The Weaver variable speed belt power feeder gives you the capability to run short rails that are impossible with roller feeders - as well, they improve the ease of the sticking operation.



TENONING

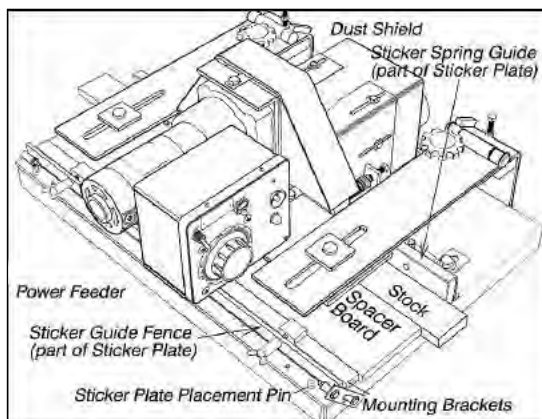


Rail Ends

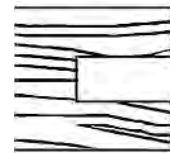


Shaker door tenon exploded view.

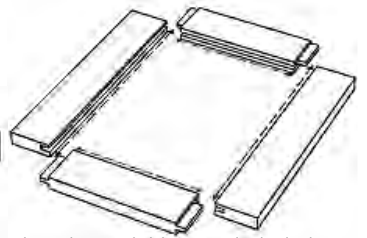
The tenon cut is made quickly and easily with this set up. The Air Tenon Jig secures the rail with pneumatic clamp and glides on a thin cushion of air making the operation effortless. To insure an accurate tenon cut every time, the air Jig operates in a shaper top groove in conjunction with the Tenon Fence. (There is a backup wood block to prevent chipping of wood.)



STILE & RAIL STICKING



Stile & Rail Edges



Shaker door sticking exploded view.

Rip your stile and rail stock oversize approximately $1/16$ ". The stile cutter will cut to exact size and shape the detail on edge. The power feeder pushes the material and the spring loaded fence guides the material against the outside fence and away from the cutters. This set-up sizes your material, minimizes any bumps or chatter marks in your material and avoids cutter burn marks. Make different widths of stile or rail by only changing spacer sticks.

MANUFACTURED IN U.S.A.

Phone 1-913-831-1800

CALL TOLL FREE 1-800-255-6214

www.weaver-company.com
Fax 1-913-831-2974

- 28 -

WEAVER COMPANY - 1108 SOUTH 37TH STREET - KANSAS CITY, KS 66106 USA

Copyright © 2022 all Rights Reserved

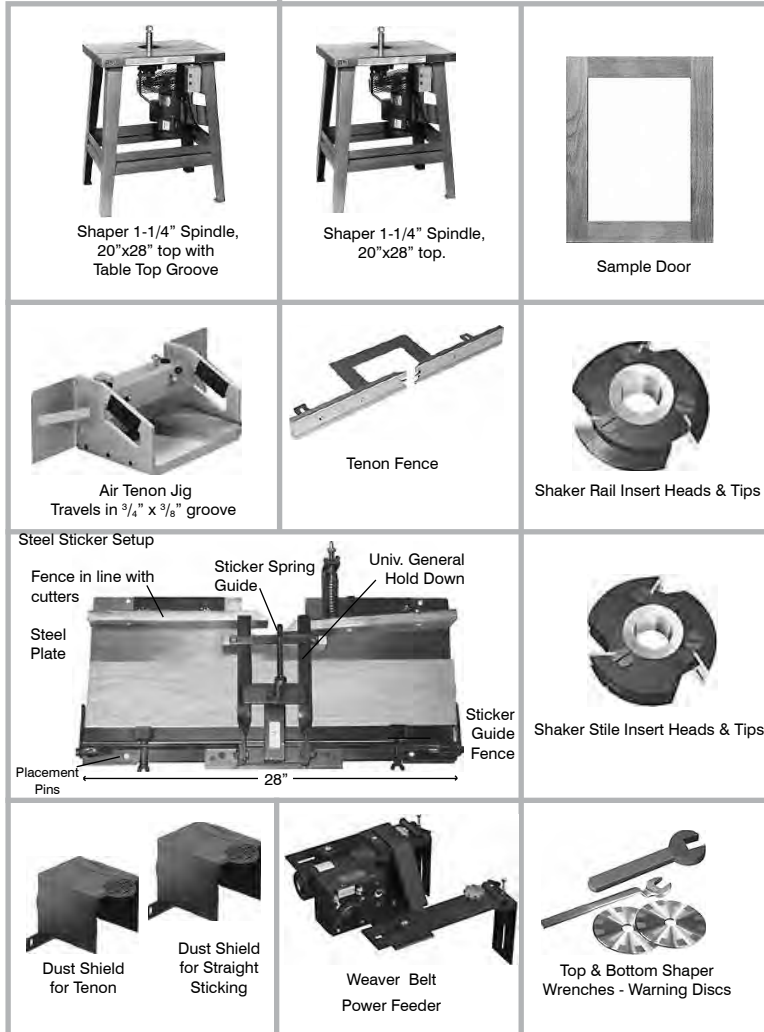
What you Get

2 SHAPER SHAKER CABINET DOOR SYSTEM with Air Tenon Jig and Power Feeder

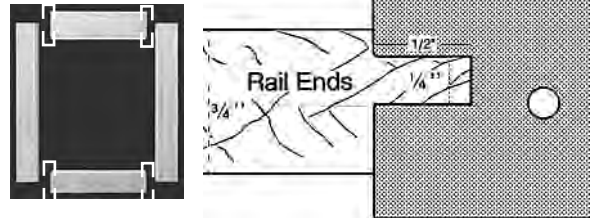
WEAVER

This cabinet door shaper system is pre-setup and ready to produce: it comes with two Weaver industrial shapers, air tenon jig, power feeder, two Dust Shields, steel sticker plate setup, tenon fence, the stile & rail cutters adjusted and setup on the shapers. Plus a sample door made by the system.

Cutters - setup, adjusted and mounted on the shapers.

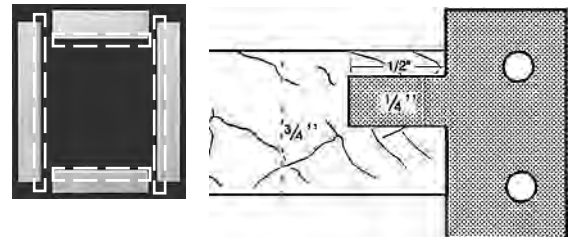


Shaper for Tenon



Item#	Description
SH1316	Shaper 3HP 1 Phase (1-1/4" Spindle, 20"x28"top) Table Groove
SHIX38	Table Groove
BY7LR-1-1/4"	Bore Shaker Rail Cutter Head with tips (3)
AJ1201RW	Air Tenon Jig
FE5628	Split Tenon Fence
DS441	Dust Shield
WR620	Top Wrench
WR6180	Bottom Wrench
WD4246	Warning Disc 4-3/4"OD x 1-1/4"ID

Shaper for Straight Stile & Rail Sticking



Item#	Description
SH1316	Shaper 3HP 1 Phase (1-1/4" Spindle, 20"x28"top)
BY7LS-1-1/4"	Bore Shaker Stile Cutter Head with tips (3)
FE360H	Steel Sticker Plate w/Hold Down
PF721W	Weaver Variable Speed Belt Power Feeder
DS452	Dust Shield for Straight Stiles
WD4246	Warning Disc 4-3/4"ODx1-1/4"ID

System Total:

\$ 21,594

(Shapers with 3 Phase 3 HP same price.)

(For optional cutter profiles, see cutter pages - also See optional shaker panel raising shaper)

MANUFACTURED IN U.S.A.

www.weaver-company.com

Phone 1-913-831-1800

CALL TOLL FREE 1-800-255-6214

Fax 1-913-831-2974

Copyright © 2022 all Rights Reserved

WEAVER COMPANY - 1108 SOUTH 37TH STREET - KANSAS CITY, KS 66106 USA

- 29 -

Jan 2022 - 29

WEAVER 2 SHAPER SHAKER CABINET DOOR SYSTEM

with Manual Hold Down

How it Works



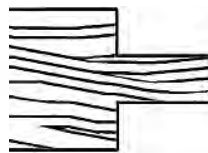
The system you receive will be preset by a craftsman and shipped to you with samples.

This system uses two machines to make the shaker cabinet door frame, consisting of two 3 HP shapers. Shaper One is setup for tenoning the rails. Shaper Two is setup for running straight stiles.

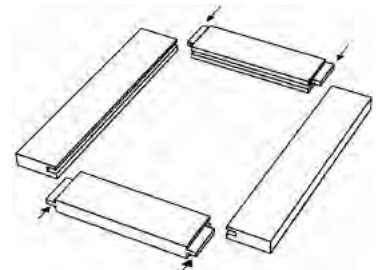


Your system will arrive with the shaper cutters on the shapers already adjusted. All accessories will be adjusted and most mounted to the shapers. You can start producing shortly after the equipment arrives. You can produce doors with one man or two men - and can efficiently make 100 doors or make just one door without changing setups.

TENONING

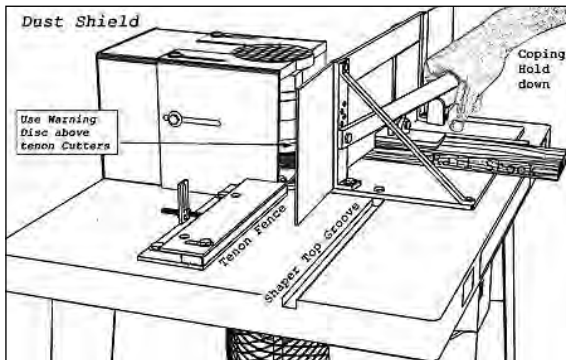


Rail Ends



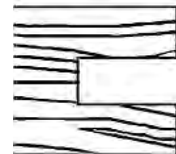
Shaker door tenon exploded view.

The tenon cut is made quickly and easily with this set up. The Manual Coping Hold Down has a quick action pressure bar that holds the part as you squeeze the handles. There is a backup wood block to minimize chipping of the wood. The Tenon Fence is a straight fence running through the middle of the cutters providing a positive guide to run your material against.

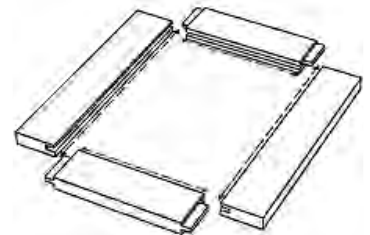


Tenoning

STILE & RAIL STICKING

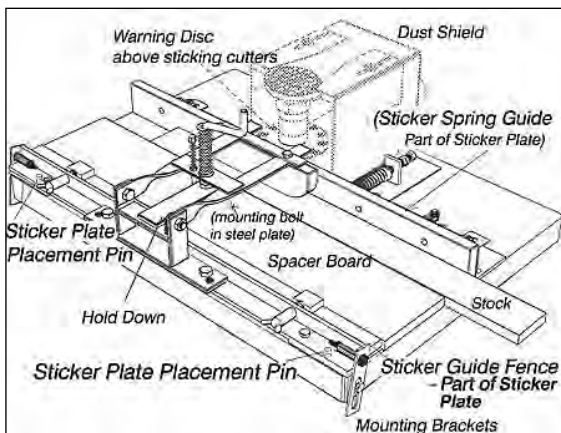


Stile & Rail Edges



Shaker door sticking exploded view.

Rip your stile and rail stock oversize approximately $\frac{1}{16}$ ". The stile cutter will cut to exact size and shape the detail on edge. The spring loaded fence guides the material against the outside fence and away from the cutters. This set-up sizes your material, minimizes any bumps or chatter marks in your material and avoids cutter burn marks. Make different widths of stile or rail by only changing spacer sticks.



Sticking

MANUFACTURED IN U.S.A.

Phone 1-913-831-1800

CALL TOLL FREE 1-800-255-6214

Fax 1-913-831-2974

www.weaver-company.com

- 30 -

WEAVER COMPANY - 1108 SOUTH 37TH STREET - KANSAS CITY, KS 66106 USA

Copyright © 2022 all Rights Reserved

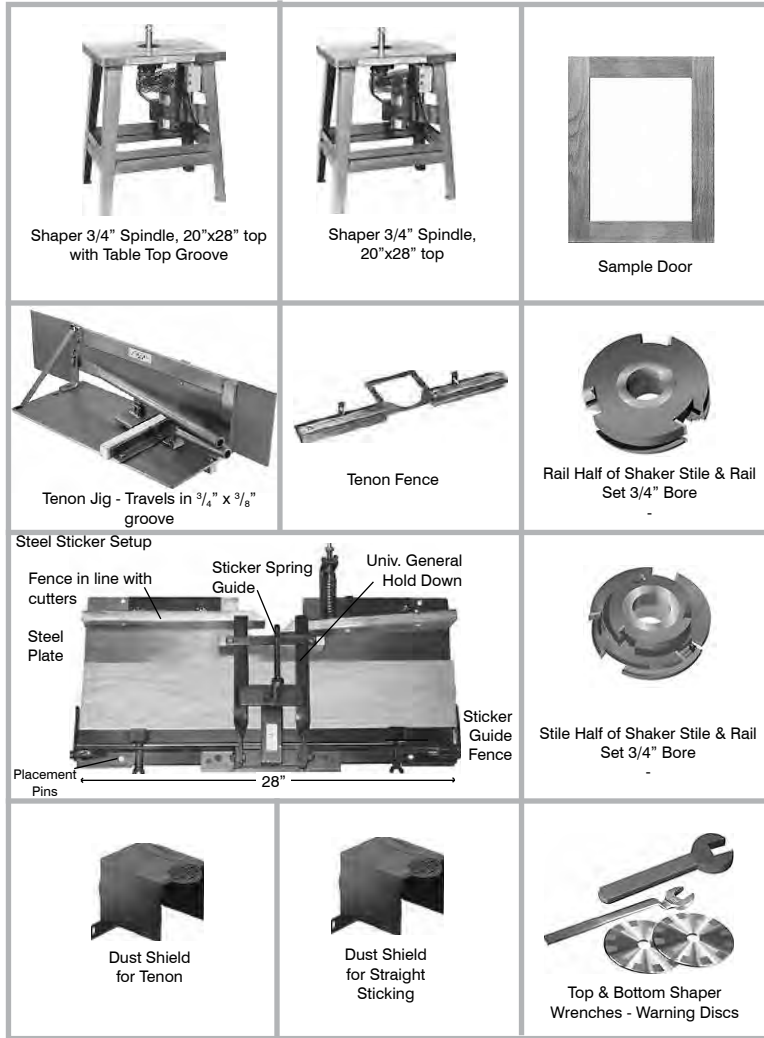
What you Get

2 SHAPER SHAKER CABINET DOOR SYSTEM with Manual Hold Down

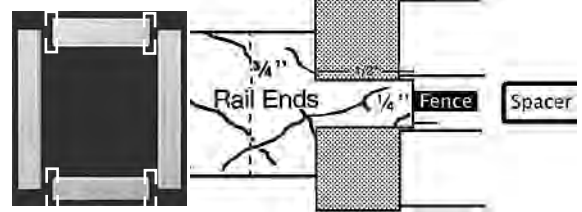
WEAVER

This Weaver shaker cabinet door shaper system is pre-setup and ready to produce: it comes with two Weaver industrial shapers, manual coping jig, Dust Shields, steel sticker plate setup, tenon fence, the stile & rail cutters adjusted and setup on the shapers. Plus a sample door made by the system.

Cutters - setup, adjusted and mounted on the shapers.

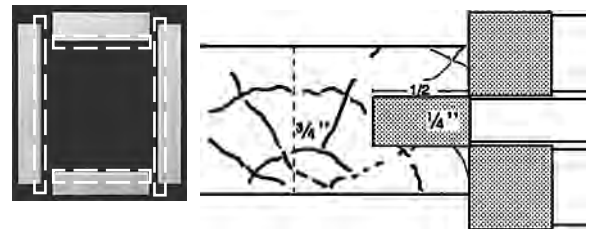


Shaper for Tenon



Item#	Description
SH1313	Shaper 3HP 1 Phase (3/4" Spindle, 20"x28"top)
SHIX38	Table Groove
FREMC50-500-501	Rail Half of Shaker Set - 3/4" Bore
HD225	Tenon Jig
FE25	Tenon Fence
DS452	Dust Shield
WR618	Top Wrench
WR6180	Bottom Wrench
WD3163	Warning Disc 3 1/2"ODX 3/4"ID

Shaper for Straight Stile & Rail Sticking



Item#	Description
SH1313	Shaper 3HP 1 Phase (3/4" Spindle, 20"x28"top) Stile Half of Shaker Set - (FREMC50-500-501)
FE363H	Steel Sticker Plate w/Hold Down
DS450	Dust Shield for Straight Stiles
WD3163	Warning Disc 3 1/2"ODX 3/4"ID

System Total: \$15,594

(Shaper with 3 Phase 3 HP same price.)

The Weaver Power Feeder can be added which will feed the material through and improve the quality and consistency of the operation.

Add double bond belt Weaver Power Feeder:

PF721W Weaver Variable Speed Belt Power Feeder **\$3,594**

(For optional cutter profiles, see cutter pages)
(See optional shaker panel raising shaper)



PF721W Weaver Belt Power Feeder

MANUFACTURED IN U.S.A.

www.weaver-company.com

Phone 1-913-831-1800

CALL TOLL FREE 1-800-255-6214

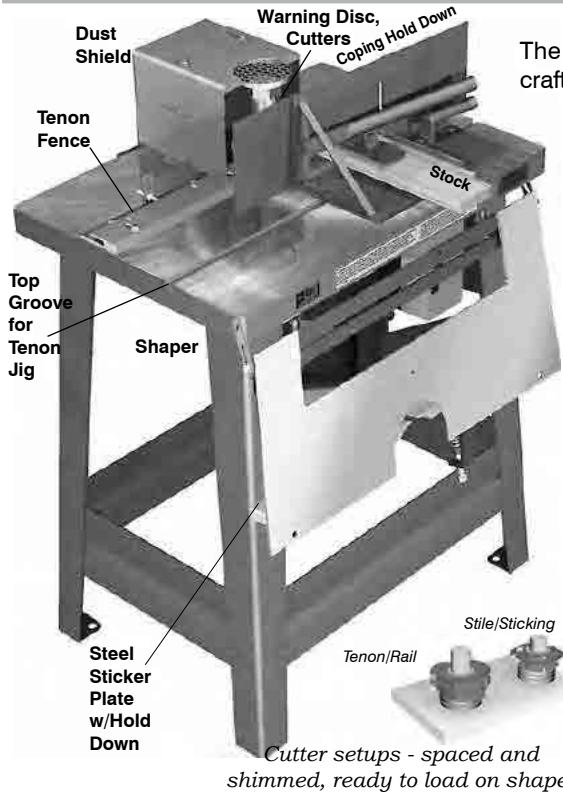
Fax 1-913-831-2974

Copyright © 2022 all Rights Reserved

WEAVER COMPANY - 1108 SOUTH 37TH STREET - KANSAS CITY, KS 66106 USA

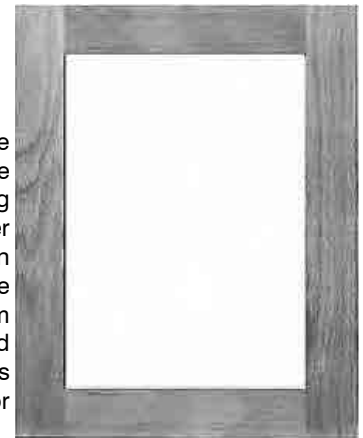
- 31 -

Jan 2022 - 31



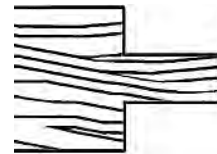
The system you receive will be preset by a craftsman and shipped to you with samples.

This system uses one 3 HP machine to make a shaker cabinet door. Your system will arrive with either the tenon cutters or the sticking cutters set-up on the shaper, and the other on a cutter board holding dowel. Your Tenon Fence and Sticker Plate are lined up to the proper position by index pins making them easy to line up and bolt down. The need for spindle or cutter height adjustment is eliminated by using tooling that lines up or a spacer system.

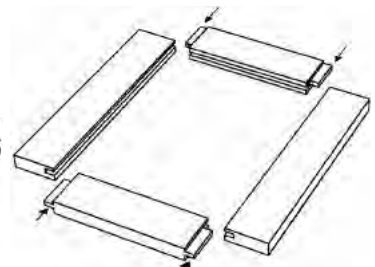


Cutter setups - spaced and shimmed, ready to load on shaper

TENONING

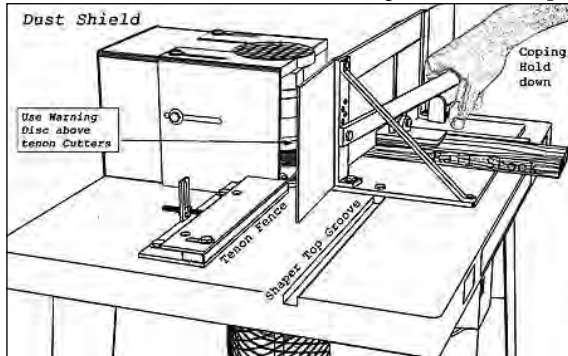


Rail Ends



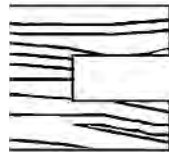
Shaker door tenon exploded view.

The tenon cut is made quickly and easily with this set up. The Manual Coping Hold Down has a quick action pressure bar that holds the part as you squeeze the handles as you push the rail through the cutters. There is a backup wood block to minimize chipping of the wood. The Tenon Fence is a straight fence running through the middle of the cutters providing a positive guide to run your material against.

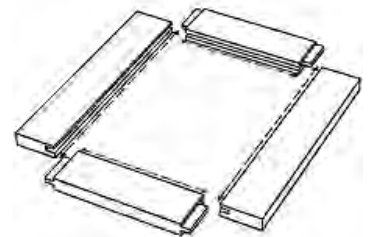


Tenoning

STILE & RAIL STICKING

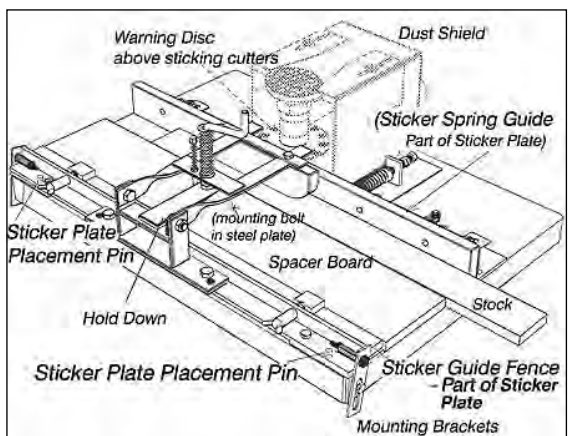


Stile & Rail Edges



Shaker door sticking exploded view.

Rip your stile and rail stock oversize approximately 1/16". The stile cutter will cut to exact size and shape the detail on edge. The spring loaded fence guides the material against the outside fence and away from the cutters. This set-up sizes your material, minimizes any bumps or chatter marks in your material and avoids cutter burn marks. Make different widths of stile or rail by only changing spacer sticks.



Sticking

MANUFACTURED IN U.S.A.

Phone 1-913-831-1800

CALL TOLL FREE 1-800-255-6214

Fax 1-913-831-2974

www.weaver-company.com

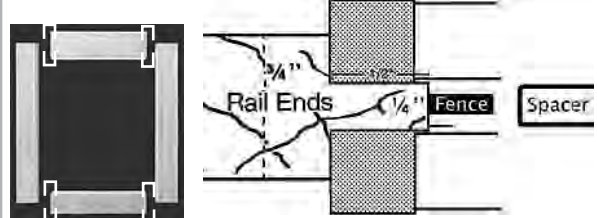
What you Get 1 SHAPER SHAKER CABINET DOOR FRAME SYSTEM WE AVER

This Weaver shaker cabinet door shaper system is pre-setup and ready to produce: it comes with a Weaver industrial shaper, manual coping jig, Dust Shield, steel sticker plate setup, tenon fence, the stile & rail cutters adjusted and ready to setup on the shapers. Plus a sample door made by the system.

Cutters - setup, adjusted and ready to mount on the shapers.

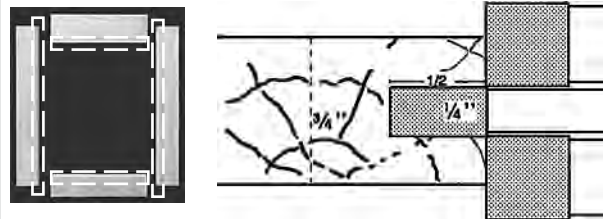
Shaper for Tenon & Sticking

Item#	Description
SH1313	Shaper 3HP 1 Phase ($\frac{3}{4}$ " Spindle, 20"x28" top) w/ Table Top Groove
SHIX38	Table Groove
DS433	Dust Shield
WR618	Top Wrench (for $\frac{3}{4}$ " Spindle)
WR6180	Bottom Wrench



Tenoning Accessories

Item#	Description
FREMC50-500-501	Rail Half of Shaker Set - $\frac{3}{4}$ " Bore
HD225W	Tenon Jig
FE25	Tenon Fence
WD3163	Warning Disc $3\frac{1}{2}$ "OD x $\frac{3}{4}$ "ID






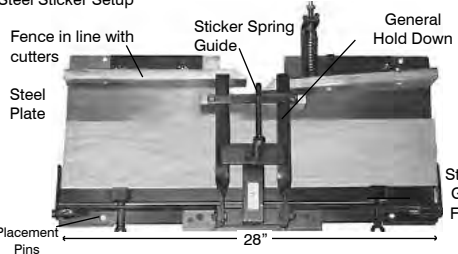





Straight Stile & Rail Sticking Accessories

Item#	Description
FREMC50-500-501	Stile Half of Shaker Set - $\frac{3}{4}$ " Bore
FE363H	Steel Sticker Plate Setup
WD3163	Warning Disc $3\frac{1}{2}$ "OD x $\frac{3}{4}$ "ID

1 Shaper System for Shaker Cabinet Door Frame: \$ 9,234

(Shaper with 3 Phase 3 HP same price.)

 Shaper 3/4" Spindle, 20"x28" top w/ Table Top Groove	 Sample Door	
 Tenon Jig - Travels in $\frac{3}{4}$ " x $\frac{3}{8}$ " groove	 Tenon Fence	 Rail Half of Shaker Stile & Rail Set $\frac{3}{4}$ " Bore
 Steel Sticker Setup Labels: Fence in line with cutters, Sticker Spring Guide, General Hold Down, Steel Plate, Placement Pins, 28", Sticker Guide Fence		 Stile Half of Shaker Stile & Rail Set $\frac{3}{4}$ " Bore
 Dust Shield for Tenon/Straight Sticking	 Top & Bottom Shaper Wrenches - Warning Discs	

The Weaver Power Feeder can be added which will feed the material through and improve the quality and consistency of the operation.



Add Weaver Belt Power Feeder:

PF721W Weaver Variable Speed Belt Power Feeder \$ 3,594

MANUFACTURED IN U.S.A.

www.weaver-company.com

Phone 1-913-831-1800

CALL TOLL FREE 1-800-255-6214

Fax 1-913-831-2974

Copyright © 2022 all Rights Reserved

WEAVER COMPANY - 1108 SOUTH 37TH STREET - KANSAS CITY, KS 66106 USA

- 33 -

Jan 2022 - 33

WEAVER *Shaker Straight Panel Raising Shaper* *How it Works*



The system you receive will be preset by a craftsman and shipped to you with samples.

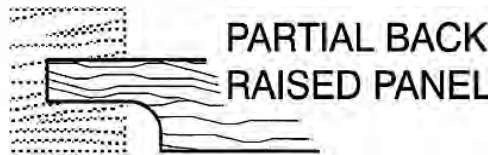
This system uses a 3 HP machine to shape a shaker partial back raised panel. Your system will arrive with the cutter already on the shaper and adjusted.

The accessories will be adjusted, and mounted to the shaper. You can start producing shortly after the equipment arrives.

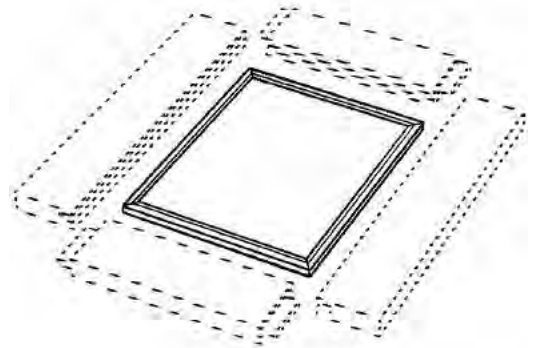


Sample Shaker Panel

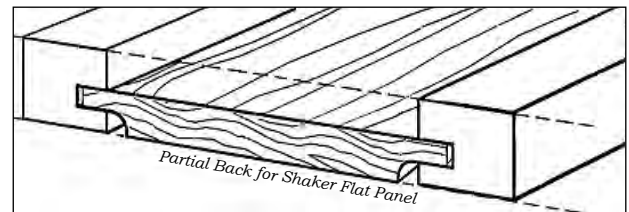
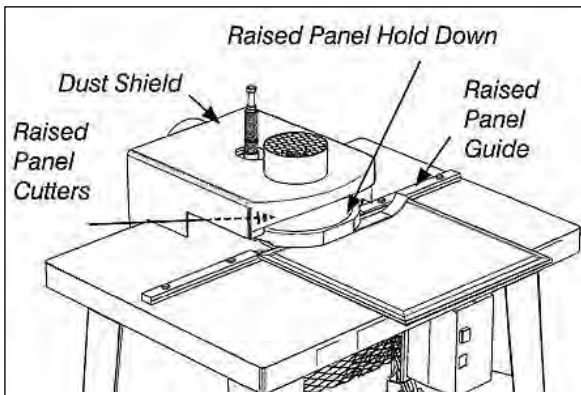
SHAKER PARTIAL BACK PANEL RAISING



PARTIAL BACK RAISED PANEL

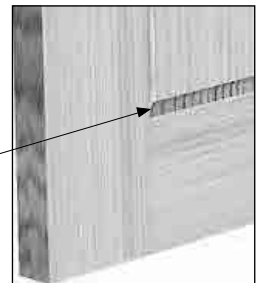


Shaker door exploded view backside with 'partial raised' panel.



Panels are produced efficiently with this setup. The Raised Panel Hold Down has a polished steel hoop that is spring tensioned to put pressure down on the panel. The raised panel guide provides a positive guide to run your panel against.

Shaker door corner backside view with 'partial raised' panel.



MANUFACTURED IN U.S.A.

Phone 1-913-831-1800

CALL TOLL FREE 1-800-255-6214

www.weaver-company.com
Fax 1-913-831-2974

- 34 -

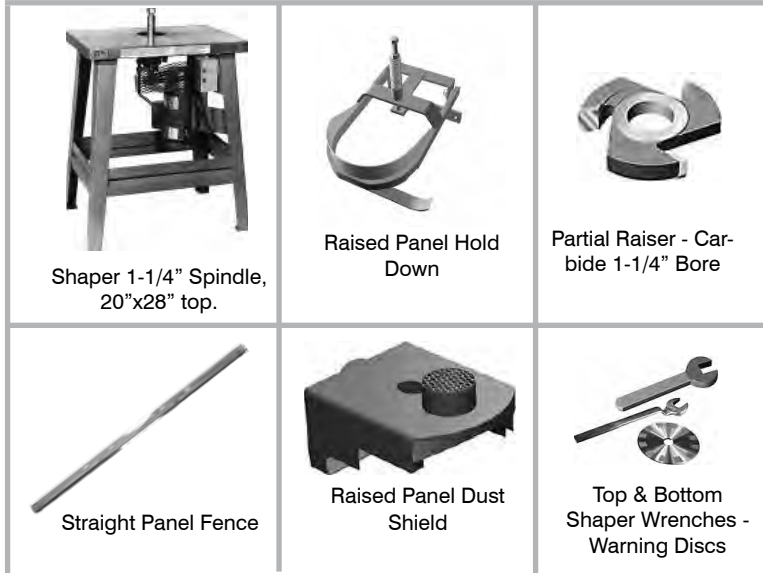
WEAVER COMPANY - 1108 SOUTH 37TH STREET - KANSAS CITY, KS 66106 USA

Copyright © 2022 all Rights Reserved

What you Get **Shaker Straight Panel Raising Shaper** WE AVER

This Weaver shaker panel raising shaper system is pre-setup and ready to produce: it comes with a Weaver industrial shaper, raised panel hold down, raised panel guide - shaker partial back panel raiser cutter adjusted and setup on the shaper, assembled and mounted along with the sample panel made by the system.

Cutters - setup and adjusted on the shaper.



Shaper 1-1/4" Spindle, 20"x28" top.

Raised Panel Hold Down

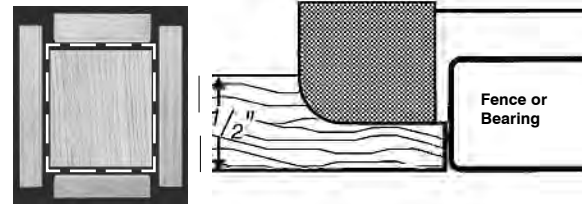
Partial Raiser - Carbide 1-1/4" Bore

Straight Panel Fence

Raised Panel Dust Shield

Top & Bottom Shaper Wrenches - Warning Discs

Shaper for Straight Panel Raising



Item# Description

- SH1316 Shaper 3HP 1 Phase (1-1/4" Spindle, 20"x28"top)
- FREPC16-001R Partial Raiser - Carbide 1-1/4" Bore
- FE27528 Continuous Raised Panel Guide
- HD3100 Raised Panel Hold Down
- DS460 Dust Shield for Straight Raised Panel
- WD6086 Warning Disc
- WR620 Shaper Wrench - Top
- WR6180 Shaper Wrench - Bottom

System Total: \$ 8,794

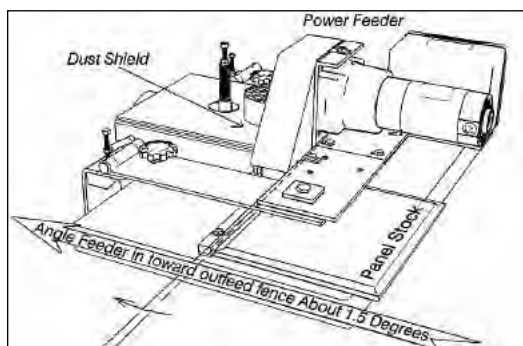
Horse Power / Phase Options (Shaper with 3 Phase 3 HP same price.)
For 5 HP 1 Phase, add **\$480**

The Weaver Power Feeder can be added which will push the material through and improve the quality and consistency of the operation.



Add Weaver Belt Power Feeder:

PF721W Weaver Variable Speed Belt Power Feeder **\$ 3,594**



A Weaver Power Feeder can be added

MANUFACTURED IN U.S.A.

www.weaver-company.com

Phone 1-913-831-1800

CALL TOLL FREE 1-800-255-6214

Fax 1-913-831-2974

Copyright © 2022 all Rights Reserved

WEAVER COMPANY - 1108 SOUTH 37TH STREET - KANSAS CITY, KS 66106 USA

- 35 -

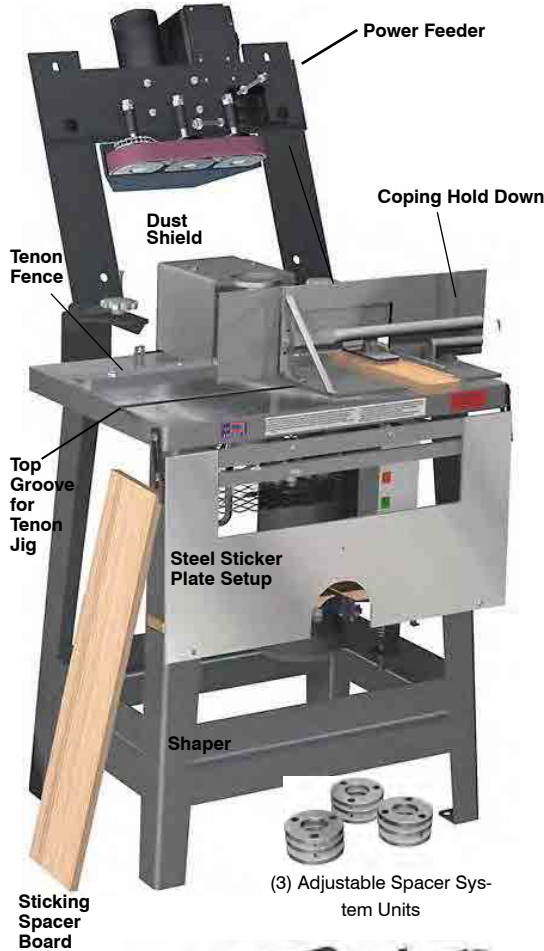


Manufactured
In U.S.A.

1 SHAPER CROWN RAISED PANEL CABINET DOOR SYSTEM

WE AVER

**SH1516 Shaper 5HP (1-1/4" Spindle
20" x 28" Top) with groove.**



Tenon Setup

Item#	Description
SH1516	Shaper 5HP (1-1/4" Spindle, 20"x28" top)
SHIX38	Table Groove
WD4246	Warning Disc
FREPC10-010-501-E	1-1/4" Bore Quarter Rd. Stile & Rail Cutter Set 1/4" x 1/2" Tongue
HD225W	Manual Coping Jig
FE25	Tenon Fence
WR620	Top Wrench
WR6180	Bottom Wrench
SPA125	Adjustable Spacer Set
DS440	Dust Shield

Note: In some of our pictures and illustrations the warning discs, Dust Shields, and some accessories have been removed for better illustration of the cutter and work.

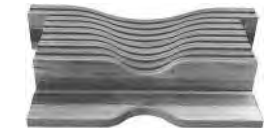


Sample Door - Crown
1 1/2" Rise

Stile and Rail Sticking

Straight & Crown Setup

Item#	Description
BB3086	3-1/4x1-1/4 Ball Bearing Rub Collar
JM330	Crown Rail Jig
PA427	1-1/2" Wood Crown Rail Patterns
FE360H	Sticker Plate Setup w/Hold Down (incl.HD216 Flat Mt. General Hold Down)
PF721W	Variable Speed double bond belt Feeder
DS455	Dust Shield Crown & Straight Stile & Rails
WD4246	Warning Disc
SPA125	Adjustable Spacer Set



Set of 10 Crown Rail Patterns
- door sizes 9 1/2" to 22"



Set of 10 Crown Panel
Patterns-door sizes 9 1/2" to 22"

Panel Trimming Setup

Item#	Description
WD4086	Warning Disc
FRE8389	Panel Trimming Cutter 2W Carbide Square Edge
BB2166	Ball Bearing Rub Collar
JM310	Crown Panel Jig
PA417	1-1/2" Wood Crown Panel Patterns
SPA125	Adjustable Spacer Set



Crown Panel Jig

Panel Raising Straight & Crown Setup

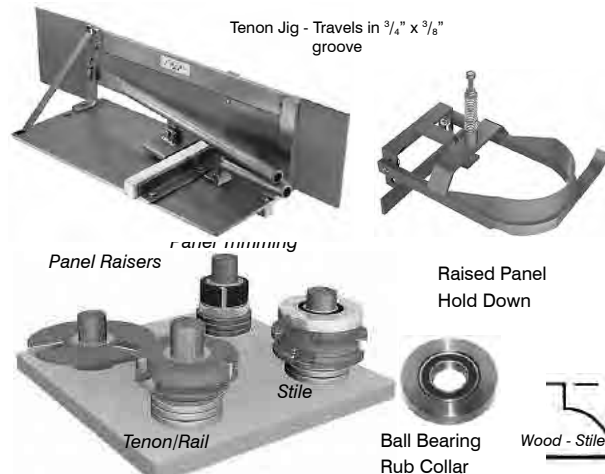
Item#	Description
WD6086	Warning Disc
FREPC15-001	Raised Panel Cutter 001 Profile - 5/8" Stock 1-1/4" ID 3 Wing - Carbide
FREPC16-001	Partial Back Raised Panel Cutter 001 Profile 1-1/4" ID 3 Wing - Carbide
BB2246	Ball Bearing Rub Collar
FE275028	Partial Offset Raised Panel Guides
HD3100	Raised Panel Hold Down
DS465	Raised Panel Dust Shield - Crown & Straight



Crown Rail Jig



Dust Shields for
Tenon, Sticking,
Crown Rail and
Panel Shaping.



Panel Raisers

Panel Trimming

Raised Panel
Hold Down

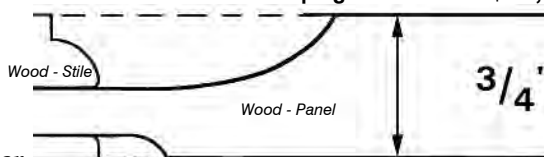
Tenon/Rail

Stile

Ball Bearing
Rub Collar

System Price listed with

Power Feeder & Coping Hold Down: \$18,714



Cutter setups - spaced
and shimmed, ready to load on shaper
MANUFACTURED IN U.S.A.



Top & Bottom Shaper
Wrenches - Warning Discs

Phone 1-913-831-1800

CALL TOLL FREE 1-800-255-6214

Fax 1-913-831-2974

www.weaver-company.com

WEAVER COMPANY - 1108 SOUTH 37TH STREET - KANSAS CITY, KS 66106 USA

Copyright © 2022 all Rights Reserved



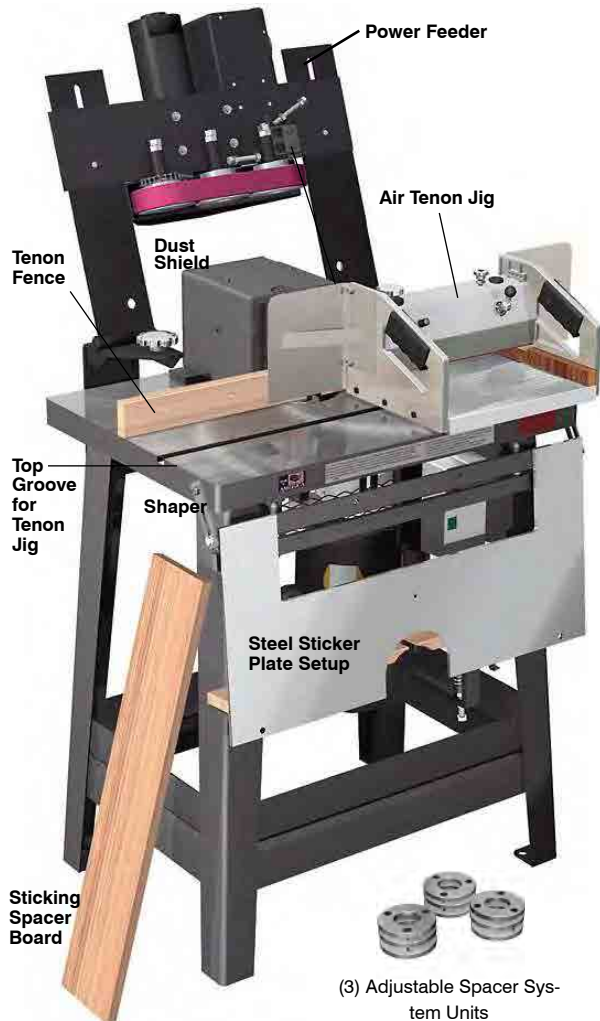
Manufactured
In U.S.A.

1 SHAPER CROWN RAISED PANEL CABINET DOOR SYSTEM

WEAVER

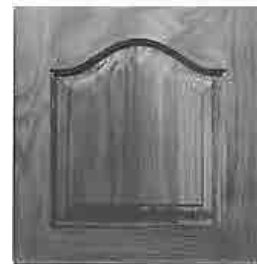
**SH1516 Shaper 5HP (1-1/4" Spindle
20" x 28" Top) with groove.**

Note: In some of our pictures and illustrations the warning discs, Dust Shields, and some accessories have been removed for better illustration of the cutter and work.



Tenon Setup

Item#	Description
SH1516	Shaper 5HP (1-1/4" Spindle, 20"x28" top)
SHIX38	Table Groove
WD4246	Warning Disc
BY1LHRE-1-1/4"	Bore Rail Insert Head with tips (3)
AJ1201RW	Air Tenon Jig
FE5628	Adjustable Split Tenon Fence
WR620	Top Wrench
WR6180	Bottom Wrench
SPA125	Adjustable Spacer Set
DS440	Dust Shield

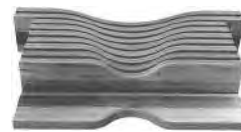


Sample Door - Crown
1 1/2" Rise

Stile and Rail Sticking

Straight & Crown Setup

Item#	Description
BY1LHSE-1-1/4"	Bore Stile Insert Head with tips (3)
BB3166	3-1/2x1-1/4 Ball Bearing Rub Collar
JM330	Crown Rail Jig
PA427	1-1/2" Wood Crown Rail Patterns
FE360H	Sticker Plate Setup w/Hold Down (incl.HD216 Flat Mt. General Hold Down)
PF721W	Variable Speed double bond belt Feeder
DS455	Dust Shield Crown & Straight Stile & Rails
WD4246	Warning Disc
SPA125	Adjustable Spacer Set



Set of 10 Crown Rail Patterns
- door sizes 9 1/2" to 22"



Set of 10 Crown Panel
Patterns-door sizes 9 1/2" to 22"

Panel Trimming Setup

Item#	Description
WD4086	Warning Disc
FRE8389	Panel Trimming Cutter 2W Carbide Square Edge
BB2166	Ball Bearing Rub Collar
JM310	Crown Panel Jig
PA417	1-1/2" Wood Crown Panel Patterns
SPA125	Adjustable Spacer Set



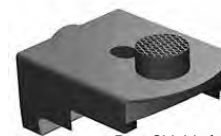
Crown Panel Jig

Panel Raising Straight & Crown Setup

Item#	Description
WD6086	Warning Disc
Byrd-LH-Panel Raised Panel Cutter Head	
Byrd-P201LHS Scoop Insert Tips (3)	
BB2246	Ball Bearing Rub Collar
Byrd-LH Partial Under Raiser Cutter Head	
Byrd-PRBLH Partial Under Raiser Insert Tips (3)	
FE275028	Partial Offset Raised Panel Guides
HD3100	Raised Panel Hold Down
DS465	Raised Panel Dust Shield - Crown & Straight



Crown Rail Jig



Dust Shields for
Tenon, Sticking,
Crown Rail and
Panel Shaping.



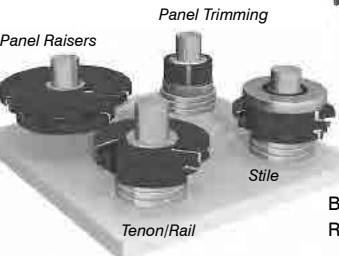
Air Tenon Jig - Travels
in 3/4" x 3/8" groove



Adjustable Split Fence



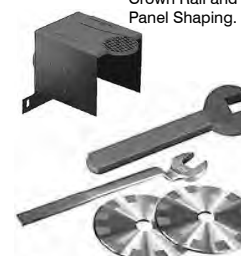
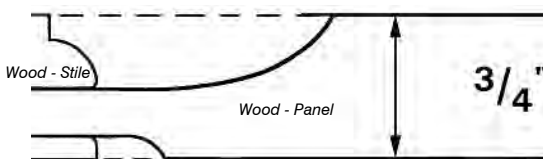
Raised Panel
Hold Down



Cutter setups - spaced
and shimmed, ready to load on shaper

System Price listed with

Power Feeder & Air Tenon Fixture: **\$19,674**



Top & Bottom Shaper
Wrenches - Warning Discs

MANUFACTURED IN U.S.A.

www.weaver-company.com

Phone 1-913-831-1800

CALL TOLL FREE 1-800-255-6214

Fax 1-913-831-2974

Copyright © 2022 all Rights Reserved

WEAVER COMPANY - 1108 SOUTH 37TH STREET - KANSAS CITY, KS 66106 USA

- 37 -



Manufactured
In U.S.A.

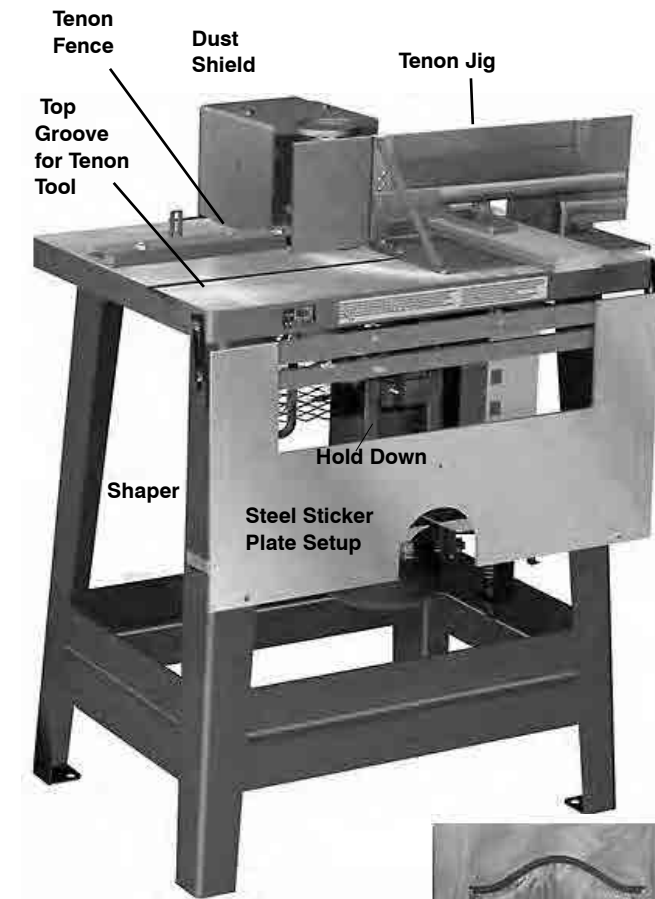
1 SHAPER CROWN RAISED PANEL CABINET DOOR SYSTEM

Note: In some of our pictures and illustrations the warning discs, Dust Shields, and some accessories have been removed for better illustration of the cutter and work.

Single Shaper System I

One shaper with cutters, jigs & patterns and accessories for making cabinet doors plus our adjustable spacer system. Your system will be preset by a craftsman and shipped with samples.

**SH1516 Shaper 5HP (1-1/4" Spindle
20" x 28" Top) with groove.**



Item#	Description
SH1516	Shaper 5HP (1-1/4" Spindle, 20"x28" top)
SHIX38	Table Groove
WD4246	Warning Disc
FREPC10-010-501-E	1-1/4" Bore Quarter Rd. Stile & Rail Cutter Set 1/4" x 1/2" Tongue
HD225	Tenon Jig
FE25	Tenon Fence
WR620	Top Wrench
WR6180	Bottom Wrench
SPA125	Adjustable Spacer Set
DS441	Dust Shield

Stile and Rail Sticking Straight & Crown Setup

Item#	Description
BB3086	3-1/4" x 1-1/4" Bore Ball Bearing Rub Collar
JM330	Crown Rail Jig
PA427	Hardwood Crown Rail Patterns
FE360H	Sticker Plate Setup w/Hold Down (incl.HD216 Univ. General Hold Down)
DS455	Dust Shield Crown & Straight Stile & Rails
WD4246	Warning Disc
SPA125	Adjustable Spacer Set

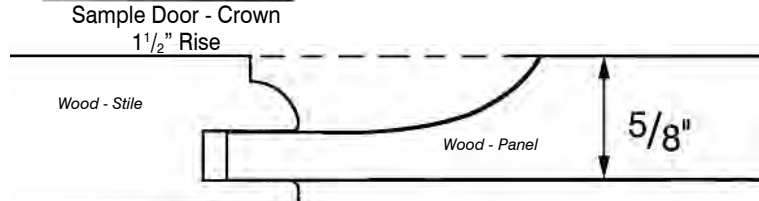
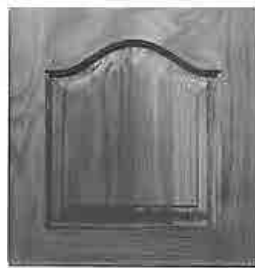
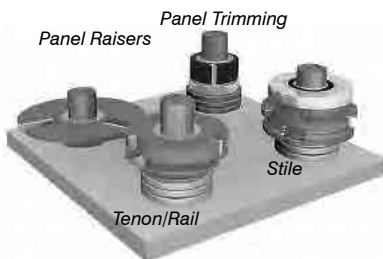
Panel Trimming Setup

Item#	Description
WD4086	Warning Disc
FRE8389	Panel Trimming Cutter 2W Carbide Square Edge
BB2166	Ball Bearing Rub Collar
JM310	Crown Panel Jig
PA417	Hardwood Oval Panel Patterns
SPA125	Adjustable Spacer Set

Panel Raising Straight & Crown Setup

Item#	Description
WD6086	Warning Disc
FREPC15-001	Raised Panel Cutter 3 Wing 1-1/4" Bore
BB2246	Ball Bearing Rub Collar 2-3/4" O.D. 1-1/4" Bore
FE27528	Raised Panel Guides
HD3100	Raised Panel Hold Down
DS465	Raised Panel Dust Shield - Crown & Straight

System Price: \$15,114



MANUFACTURED IN U.S.A.

Phone 1-913-831-1800

CALL TOLL FREE 1-800-255-6214

Fax 1-913-831-2974

www.weaver-company.com

WEAVER COMPANY - 1108 SOUTH 37TH STREET - KANSAS CITY, KS 66106 USA

Copyright © 2022 all Rights Reserved

What You Get

1 SHAPER CROWN RAISED PANEL CABINET DOOR SYSTEM

WE AVER

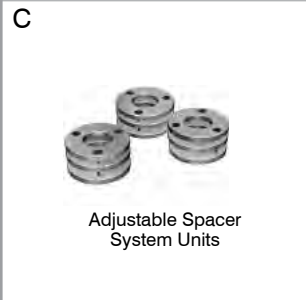


Weaver Industrial Shaper
SH1516 Industrial Shaper

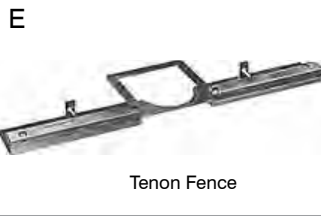
5HP 1 Phase, 1-1/4" Spindle, 20"x28" top



Top & Bottom Shaper
Wrenches - Warning Discs



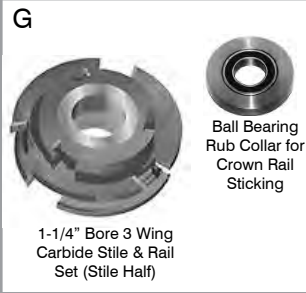
Adjustable Spacer
System Units



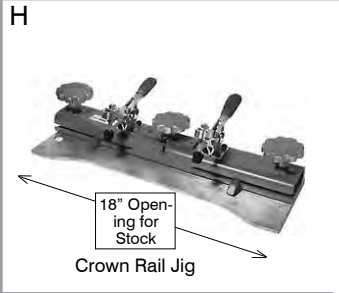
Tenon Fence



1-1/4" Bore 3 Wing
Carbide Stile & Rail Set
(Rail Half)



1-1/4" Bore 3 Wing
Carbide Stile & Rail
Set (Stile Half)

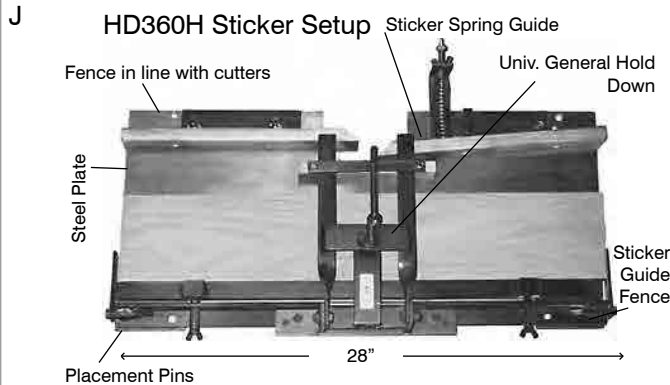


Ball Bearing
Rub Collar for
Crown Rail
Sticking

18" Opening
for Stock
Crown Rail Jig



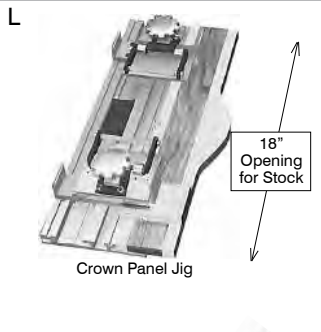
Set of 10 Crown Rail Patterns - door sizes
9 1/2" to 22"



HD360H Sticker Setup
Sticker Spring Guide
Univ. General Hold Down
Steel Plate
Sticker Guide Fence
Placement Pins
28"



Square Edge Panel
Trimming Cutter and Ball
Bearing Rub Collar

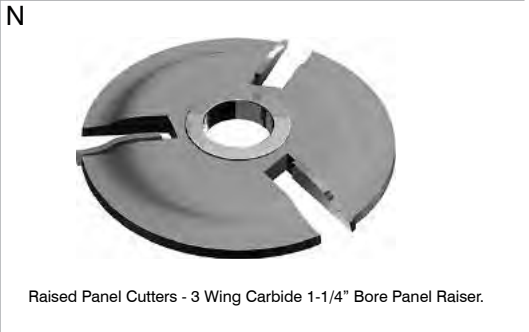


Crown Panel Jig

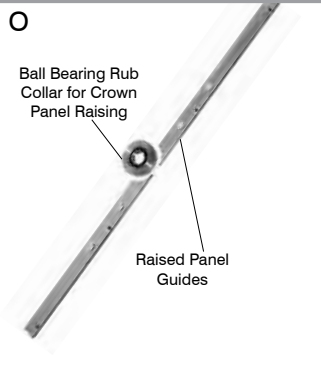
18" Opening
for Stock



Set of 10 Crown Panel Patterns-door
sizes 9 1/2" to 22"



Raised Panel Cutters - 3 Wing Carbide 1-1/4" Bore Panel Raiser.

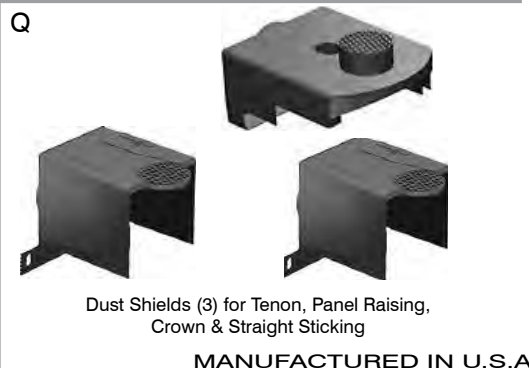


Ball Bearing Rub
Collar for Crown
Panel Raising

Raised Panel
Guides



Raised Panel Hold Down



Dust Shields (3) for Tenon, Panel Raising,
Crown & Straight Sticking

MANUFACTURED IN U.S.A.

www.weaver-company.com

Phone 1-913-831-1800

CALL TOLL FREE 1-800-255-6214

Fax 1-913-831-2974

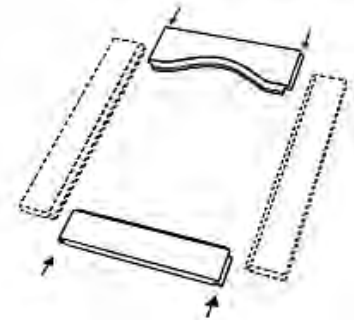
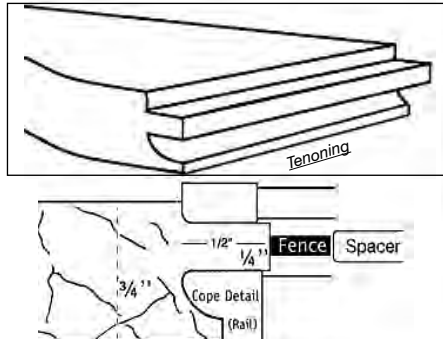
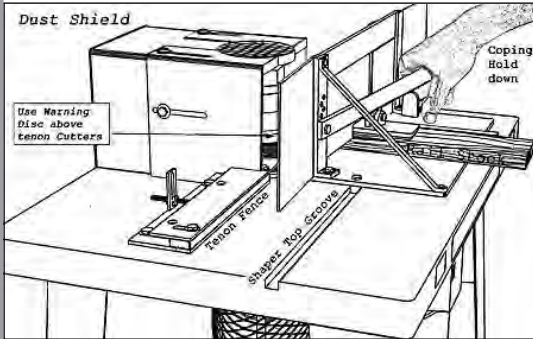
Copyright © 2022 all Rights Reserved

WEAVER COMPANY - 1108 SOUTH 37TH STREET - KANSAS CITY, KS 66106 USA

- 39 -

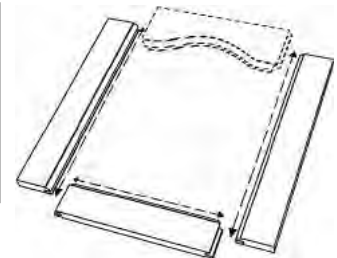
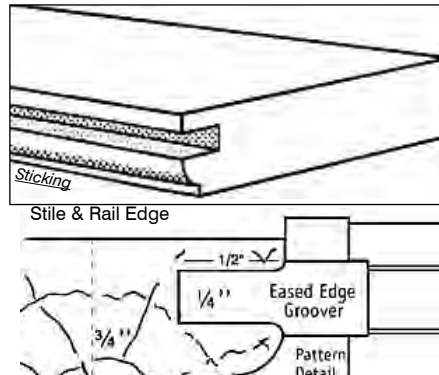
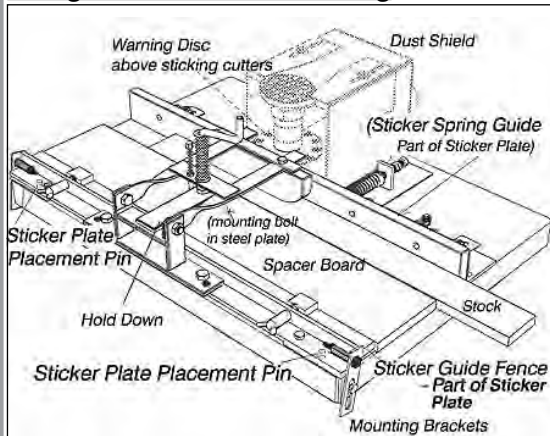
1 SHAPER CROWN RAISED PANEL CABINET DOOR SYSTEM

Tenoning



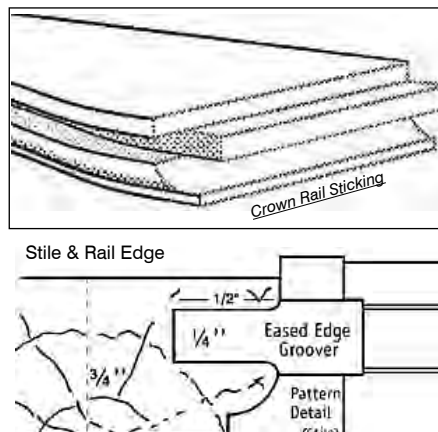
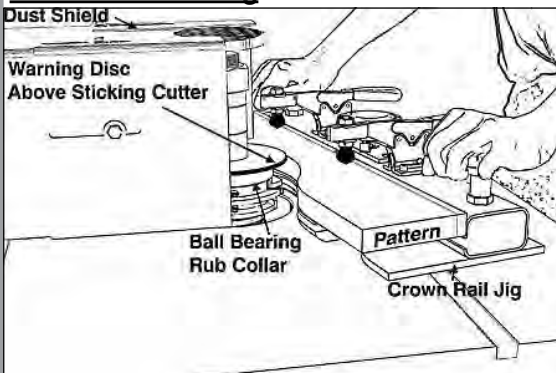
Brazed Tip Stile & Rail Set (Rail Half) (ease-ment)

Straight Stile and Rail Sticking



Brazed Tip Stile & Rail Set (Stile Half) with eased edge groover.

Crown Rail Sticking



Top Rail needs to be rough band sawed (approx. 1/8" larger than finished rail) before crown rail sticking.

Brazed Tip Stile & Rail Set (Stile Half) with eased edge groover.

MANUFACTURED IN U.S.A.

Phone 1-913-831-1800

CALL TOLL FREE 1-800-255-6214

Fax 1-913-831-2974

www.weaver-company.com

WEAVER COMPANY - 1108 SOUTH 37TH STREET - KANSAS CITY, KS 66106 USA

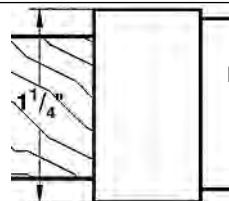
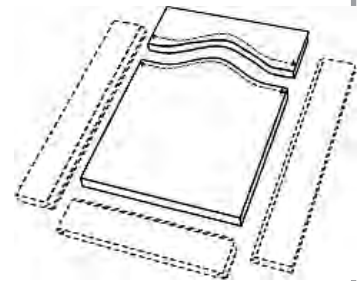
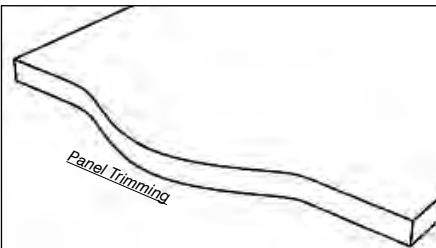
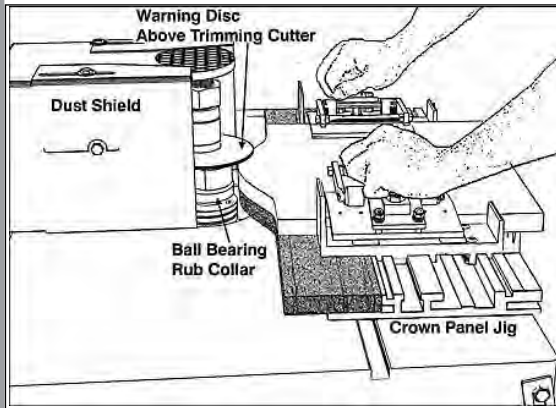
Copyright © 2022 all Rights Reserved

How it Works

1 SHAPER CROWN RAISED PANEL CABINET DOOR SYSTEM

WEAVER

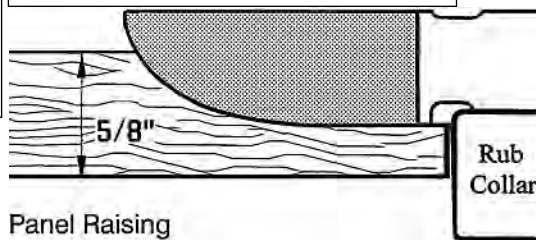
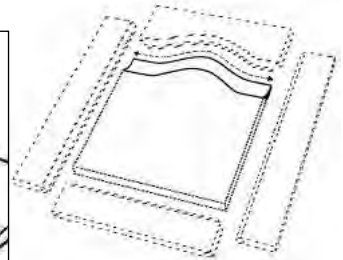
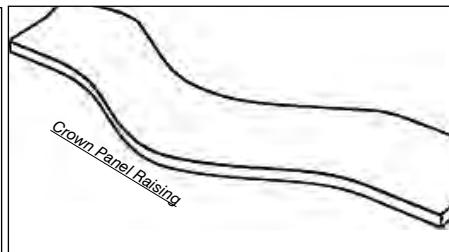
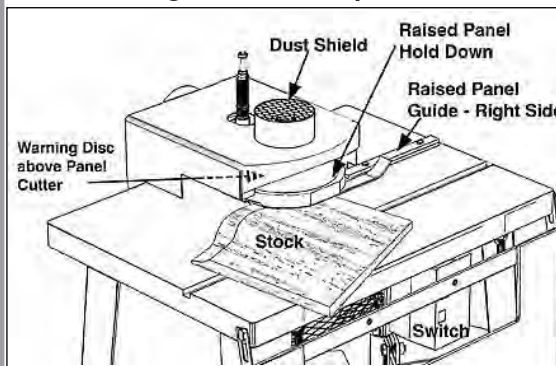
Panel Trimming



Panel Trimming Cutter

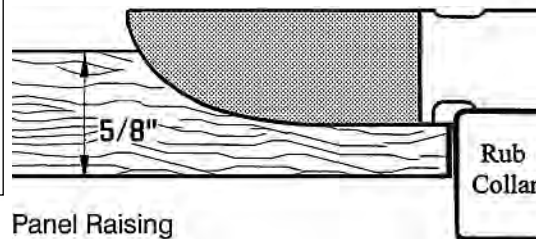
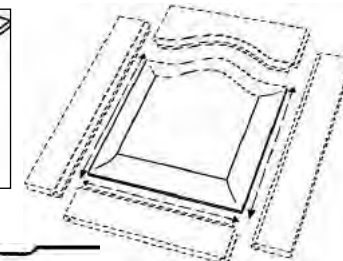
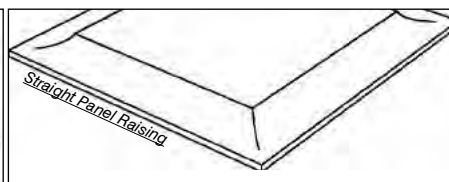
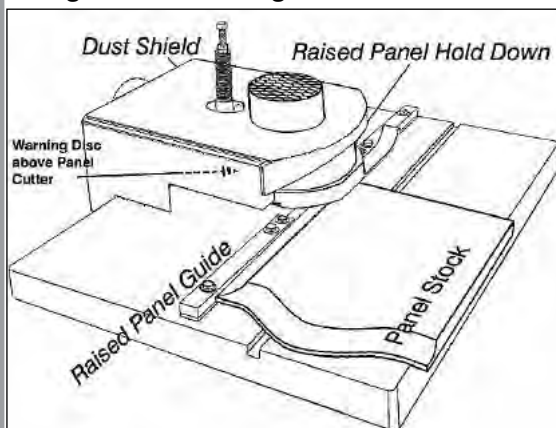
Panel Stock June need to be rough band sawed (approx. 1/8" larger than finished panel) before crown panel trimming.

Panel Raising - Crown Setup



Panel Raising

Straight Panel Raising



Panel Raising

MANUFACTURED IN U.S.A.

www.weaver-company.com

Phone 1-913-831-1800

CALL TOLL FREE 1-800-255-6214

Fax 1-913-831-2974

Copyright © 2022 all Rights Reserved

WEAVER COMPANY - 1108 SOUTH 37TH STREET - KANSAS CITY, KS 66106 USA

- 41 -

Notes

WEAVER

4 Shaper House Door System

Raised Panel Mullion & Glass Mullion Doors

House Door Shaper Systems
Entry - Passage - Interior - Exterior

Crown Rail, Panel & Mullion Shaper
1 Ph. \$23,698, 3 Ph. \$23,324

Crown Tenon, Sticking
& Panel Raising

Straight Panel Raising

Straight Panel Raising Shaper 1
Ph. \$19,082, 3 Ph. \$18,619

Straight Sticking



Straight Sticking Shaper
1 Ph. \$17,657 3 Ph. \$17,178

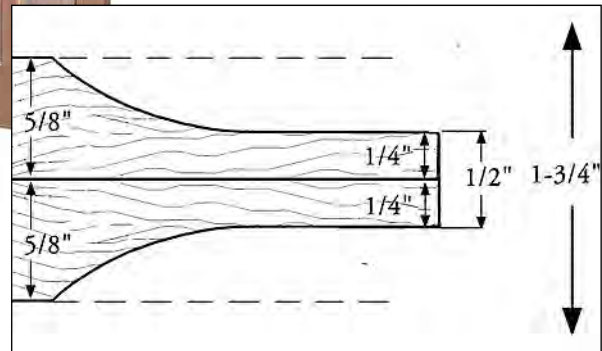
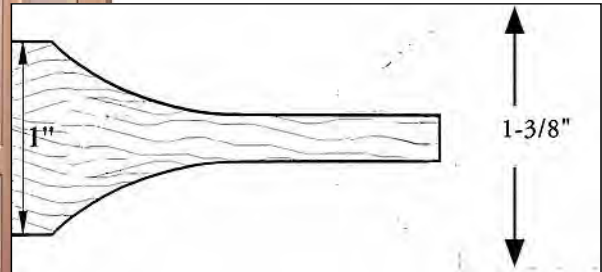
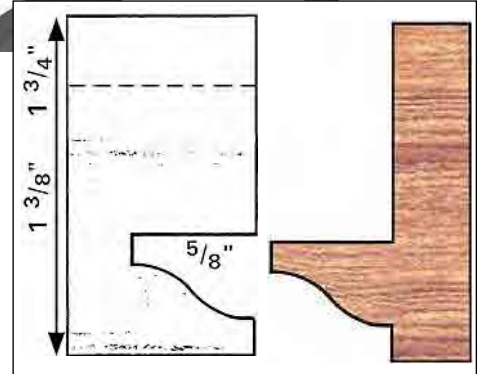
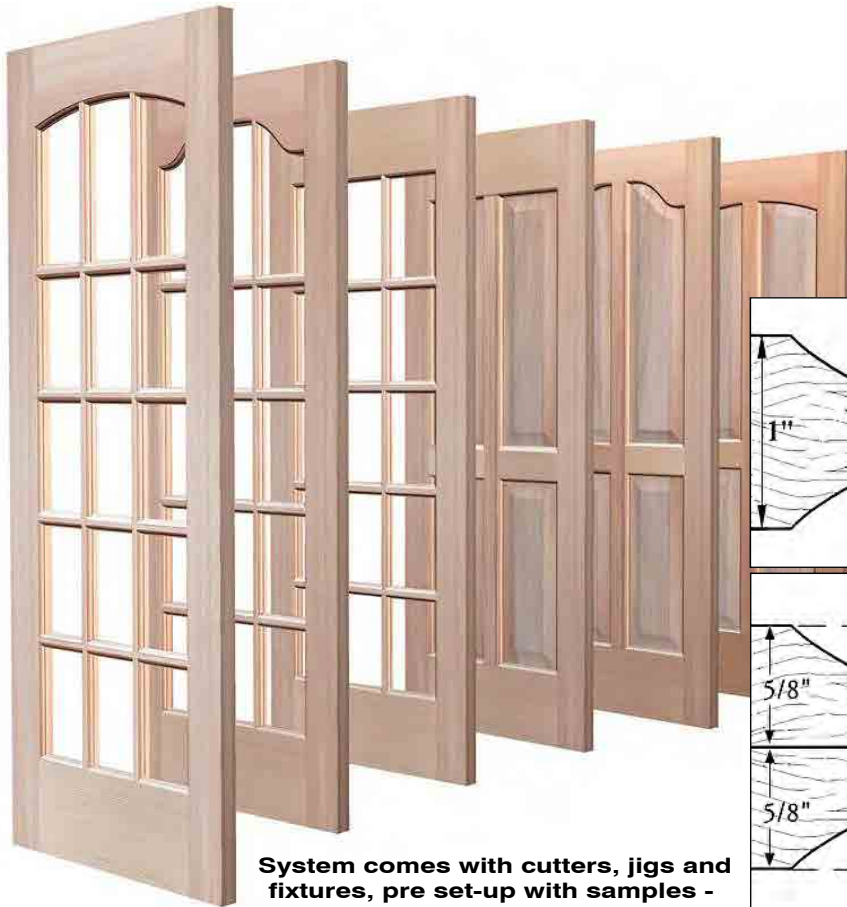
Straight Tenon Shaper
1 Ph. \$15,713, 3 Ph. \$15,234



Straight Tenon



4 Shaper Crown Panel & Crown Glass Mullion Doors System 1
1Ph \$76,150 -3Ph \$74,355



System comes with cutters, jigs and fixtures, pre set-up with samples - ready to work.

MANUFACTURED IN U.S.A.

www.weaver-company.com

Phone 1-913-831-1800

CALL TOLL FREE 1-800-255-6214

Fax 1-913-831-2974

Copyright © 2022 all Rights Reserved

WEAVER COMPANY - 1108 SOUTH 37TH STREET - KANSAS CITY, KS 66106 USA

- 43 -

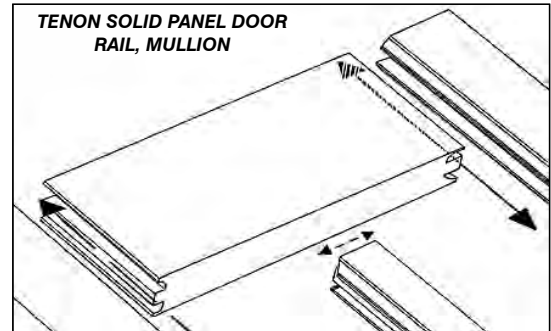
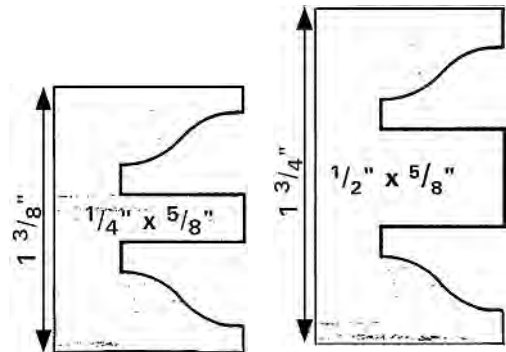
**House Door
Shaper Systems**
Entry - Passage - Interior - Exterior

Straight Tenon Shaper

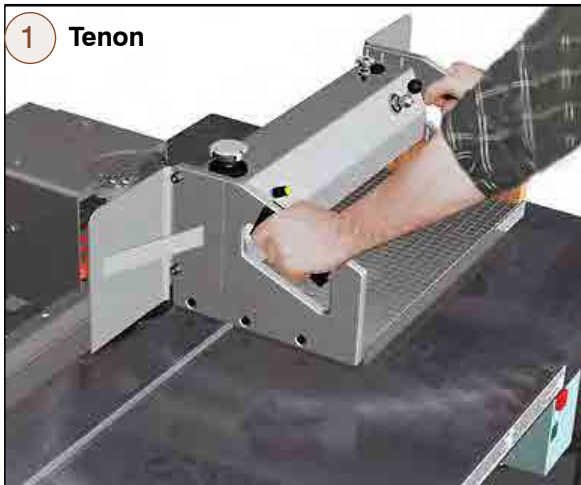
WEAVER

Note: In some of our pictures and illustrations the warning discs, dust shields, and some accessories have been removed for better illustration of the cutter and work.

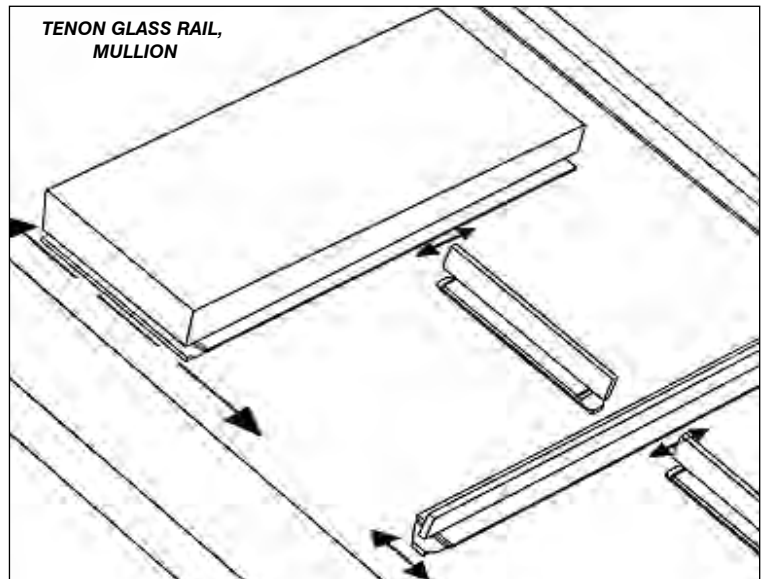
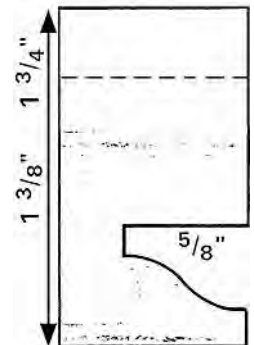
Shaper 5HP
(1-1/4" Spindle, 28"x40" top
with Table Top Groove)



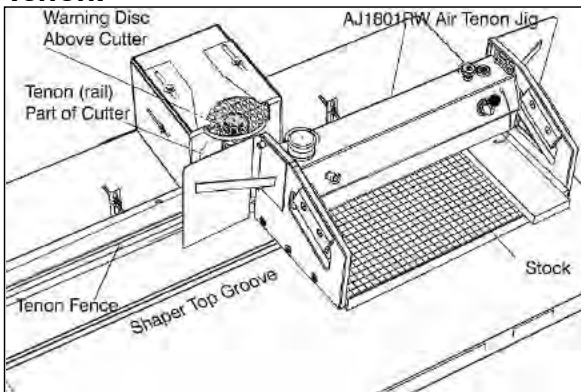
Note: Other Cutter Profiles Available



The Air Tenon Jig secures the rail with pneumatic clamp and glides on a thin cushion of air making the operation effortless.



Tenon:



MANUFACTURED IN U.S.A.

Phone 1-913-831-1800

CALL TOLL FREE 1-800-255-6214

Fax 1-913-831-2974

www.weaver-company.com

WEAVER COMPANY - 1108 SOUTH 37TH STREET - KANSAS CITY, KS 66106 USA

Copyright © 2022 all Rights Reserved

WEAVER

Straight Tenon Shaper

**House Door
Shaper Systems**
Entry - Passage - Interior - Exterior



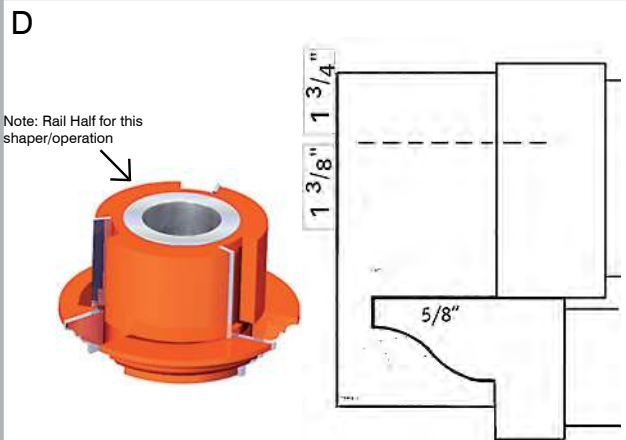
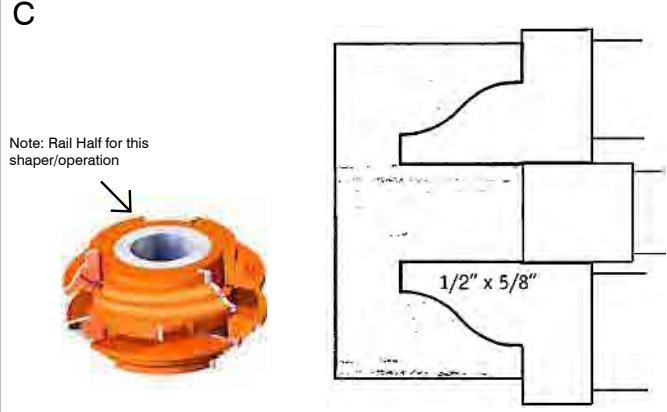
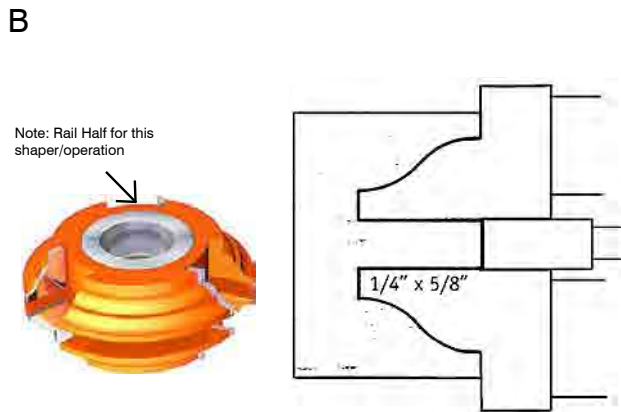
STRAIGHT TENON SHAPER

Item#	Description	Price
SH2536	Shaper Large 5 HP 3PH 1-1/4" Spindle 28" x 40" Top	9394
SH2X39	Shaper Top Groove 3/8" x 3/4" x 40"	600
AJ1801RW	Jig Air Tenon 18" Right with Wings	2,100
AJXHDM	Blow Out Block House Door Mullion (2)	270
AJXTGM	Blow Out Block House Door True Glass Mullion	270
FE5640	40" Split Fence	359
PC11-021C-1-3/8	Cutter Set House Door 1-3/8" - Tenon	649
PC11-021C-1-3/4	Cutter Set House Door 1-3/4" - Tenon	649
PC11-021-C-GD-1-3/4	Cutter Set Glass House Door 1-3/8" - 1-3/4" - Tenon	528
SPA600625	Spacer 1-1/4" Bore x 1/16" Thick (2)	58
WD4246	Warning Disc 4-3/4" OD x 1-1/4" ID	n/c
DS440	Dust Shield 4" for Air Tenon Jig	239
WR6180	Wrench - Bottom all Spindles	59
WR620	Wrench - Top 1-1/4" Spindle	59

Straight Tenon Shaper Total:

\$15713 **\$15,234**
(1 Phase) - (3 Phase)

Note: Other Cutter Profiles Available



G



MANUFACTURED IN U.S.A.

www.weaver-company.com

Phone 1-913-831-1800

CALL TOLL FREE 1-800-255-6214

Fax 1-913-831-2974

Copyright © 2022 all Rights Reserved

WEAVER COMPANY - 1108 SOUTH 37TH STREET - KANSAS CITY, KS 66106 USA

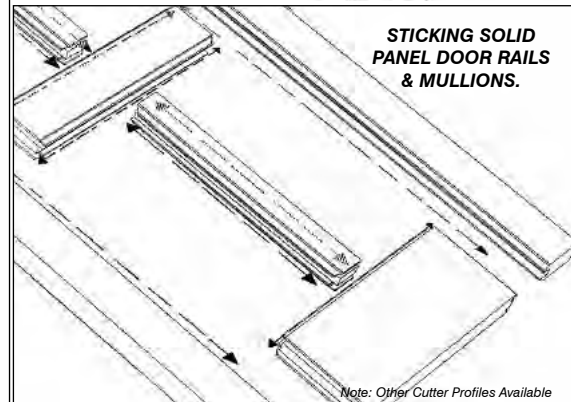
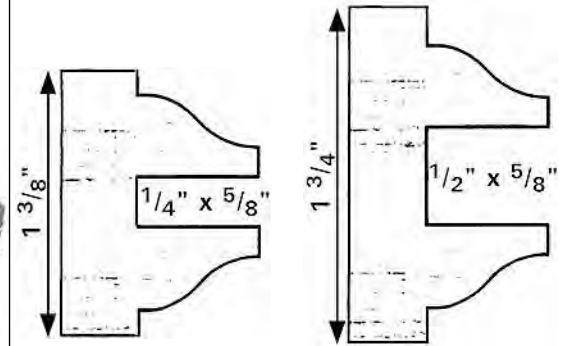
- 45 -

**House Door
Shaper Systems**
Entry - Passage - Interior - Exterior

Straight Sticking Shaper

WEAVER

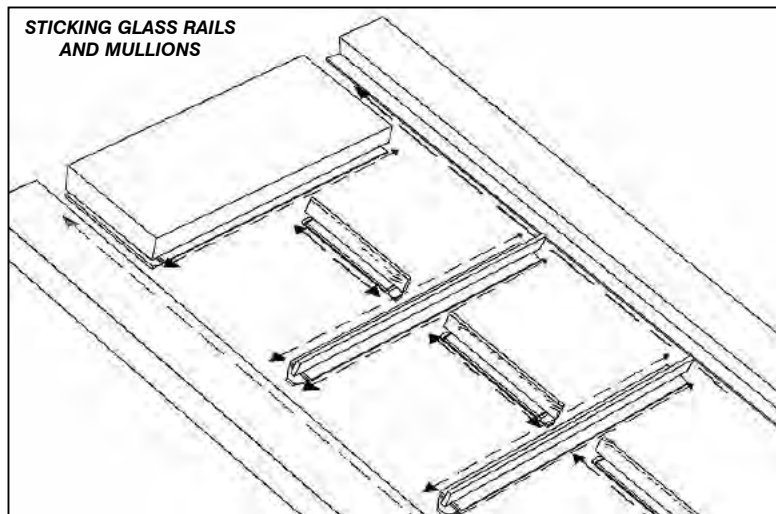
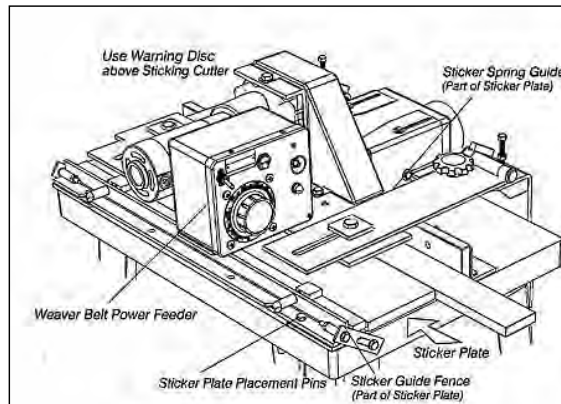
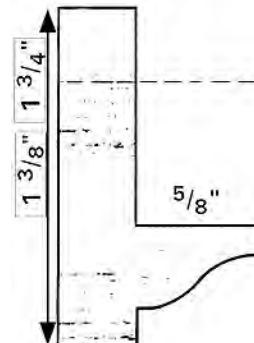
Note: In some of our pictures and illustrations the warning discs, dust shields, and some accessories have been removed for better illustration of the cutter and work.



2 STILE AND RAIL STICKING



This Sticking set up sizes material at the same time it is being shaped. It cuts consistently and easily.



Straight Sticking

MANUFACTURED IN U.S.A.

Phone 1-913-831-1800

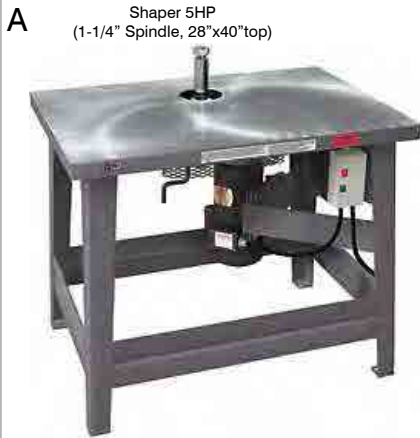
CALL TOLL FREE 1-800-255-6214

Fax 1-913-831-2974

WEAVER

Straight Sticking Shaper

**House Door
Shaper Systems**
Entry - Passage - Interior - Exterior



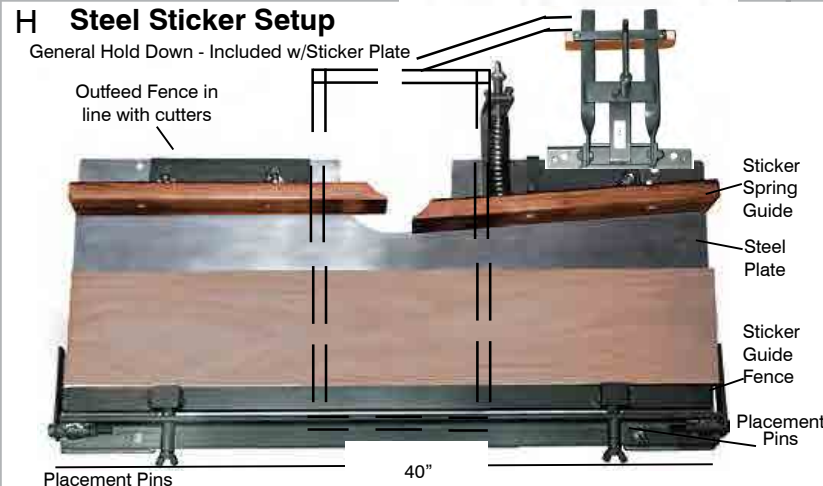
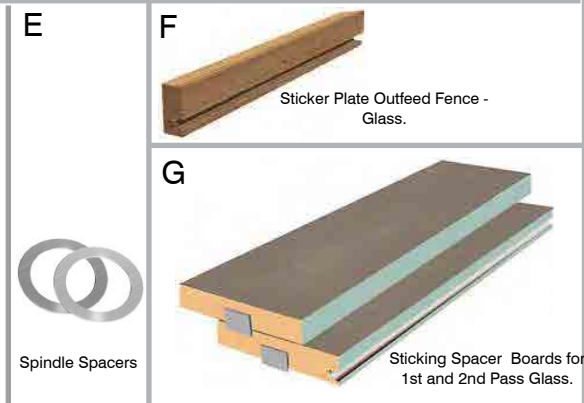
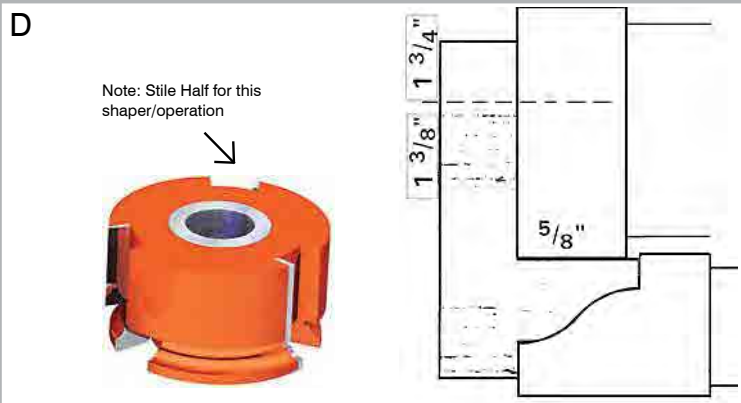
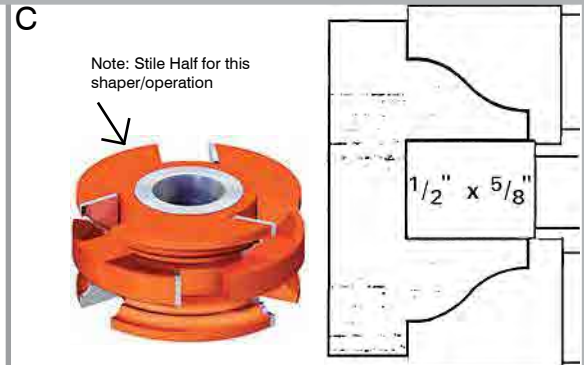
STRAIGHT STILE & RAIL SHAPER

Item#	Description	Price
SH2536	Shaper - Large 5hp 3ph 1-1/4" Spindle - 28" x 40" Top	9,394
PF721W	2 Belt 1 Bond Power Feeder Weaver Mount Variable Speed	3,594
FE361H	Large Steel Sticker Setup w/Hold Down	1,403
FEXSFTG	Outfeed Fence Block - Glass	287
FEXSSTGMB1P	Sticker Spacer Board - True Glass Mullion - 1st Pass	95
FEXSSTGMB1P	Sticker Spacer Board - True Glass Mullion - 2nd Pass	287
PC11-021-P-1-3/8	Cutter Set House Door 1-3/8" - Sticking	649
PC11-021-P-1-3/4	Cutter Set House Door 1-3/4" - Sticking	649
PC11-021-P-GD-1-3/4	Cutter Set Glass House Door 1-3/8" - 1-3/4" - Sticking	528
SPA600625	Spacer 1-1/4" Bore x 1/16" Thick	53 NC
WD4086	Warning Disc 4-1/4" OD x 1-1/4" ID	
DS450	Dust Shield 4" for Stiles	239

Straight Sticking Shaper Total:

\$17,657 **\$17,178**
(1 Phase) - (3 Phase)

Note: Other Cutter Profiles Available



Phone 1-913-831-1800

CALL TOLL FREE 1-800-255-6214

Fax 1-913-831-2974

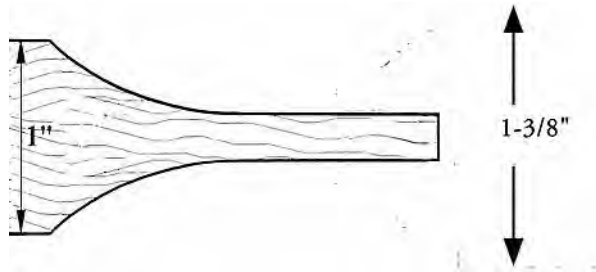
Copyright © 2022 all Rights Reserved

WEAVER COMPANY - 1108 SOUTH 37TH STREET - KANSAS CITY, KS 66106 USA

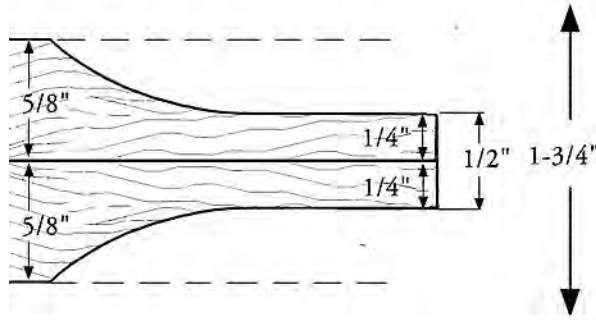
www.weaver-company.com

- 47 -

Note: In some of our pictures and illustrations the warning discs, dust shields, and some accessories have been removed for better illustration of the cutter and work.

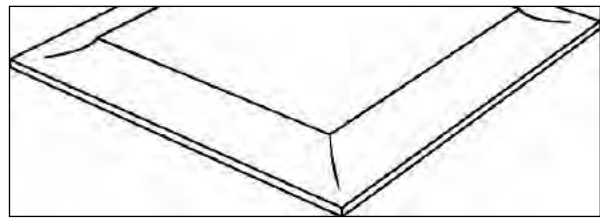


Double Raised Panels 1" Stock



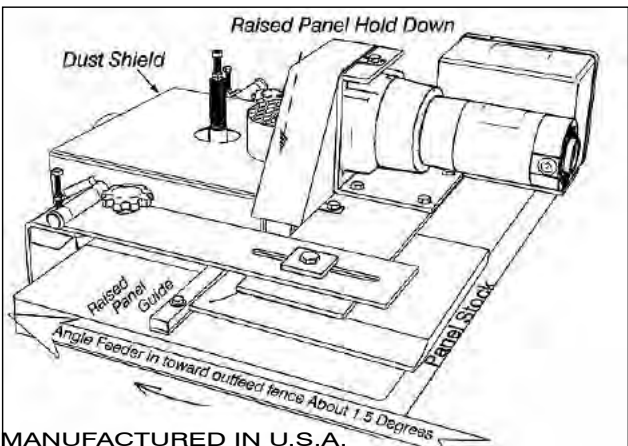
Back to Back Raised Panels 5/8" Stock

Note: Other Cutter Profiles Available

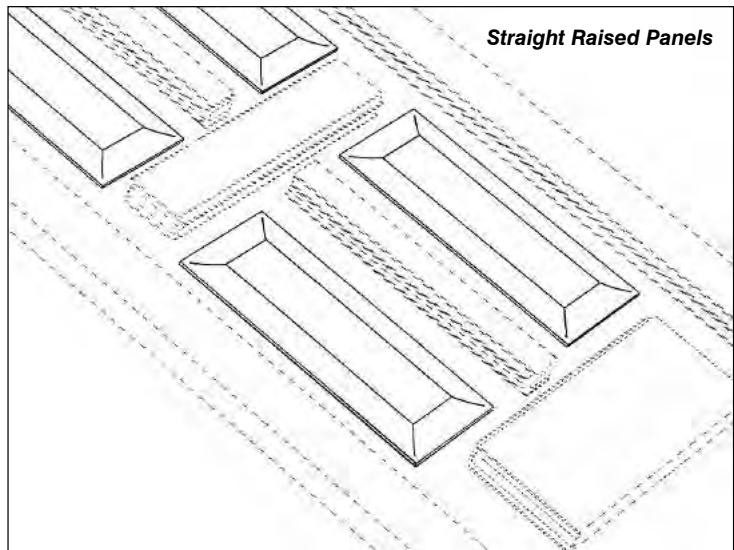


The Power Feeder and Guides ensure the work is accurate.

3 STRAIGHT PANEL RAISING



MANUFACTURED IN U.S.A.



Straight Raised Panels

Phone 1-913-831-1800

CALL TOLL FREE 1-800-255-6214

Fax 1-913-831-2974

www.weaver-company.com

WEAVER COMPANY - 1108 SOUTH 37TH STREET - KANSAS CITY, KS 66106 USA

Copyright © 2022 all Rights Reserved

WEAVER

Straight Panel Raising Shaper

**House Door
Shaper Systems**
Entry - Passage - Interior - Exterior

A Shaper 7-1/2 HP
(1-1/4" Spindle, 28"x40"top)



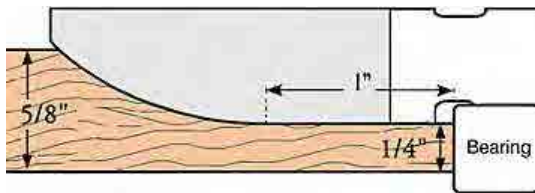
STRAIGHT PANEL RAISING SHAPER

Item#	Description	Price
SH2736	Shaper - Large 7-1/2 HP 3PH 1-1/4" Spindle - 28" x 40" Top	9,754
SHXPL02	Steel Plate Panel Raising - 1/4" for Large Top	1450
PGD2.25X40X1	Panel Guides Panels Double 2-1/4" X 40" X 1" Thick Panels	287
PGS2.25X40	Panel Guides Single 1-1/4" X 40"	287
LRHX-305-SA	Raised Panel Cutter - Single Raise	678
LRHX-305-SB-BB	Double 1 " Panel Raiser 1-1/4" Bore	1,554
BB2086	Ball Bearing Rub Collar 2-1/4" OD x 1-1/4" ID (2)	94
SPA125	Adjustable Spacer 1-1/4" Bore	143
HD3103	Raised Panel Hold Down w/Rim Weaver Mount	419
WD6166	Warning Disc - 6-1/2" OD x 1-1/4" ID	n/c
PF721W	2 Belt 1 Bond Power Feeder Weaver Mount Variable Speed	3,594
DS460	Dust Shield 4" Panel Straight Using a Hold Down	359

Straight Panel Raising Shaper Total: **\$19,082** **\$18,619**
(5HP 1 PH) (7-1/2HP 3 PH)

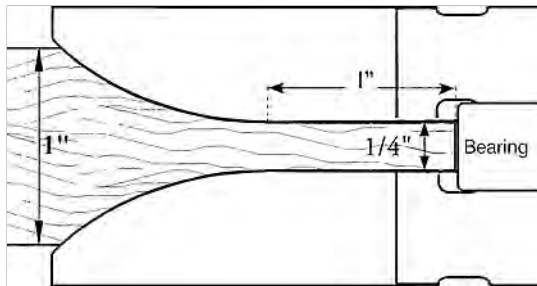
Note: Other Cutter Profiles Available

B



305-SA Raised Panel Cutter - Single Raise

C



305-SB Raised Double Raised Panel Cutters

D



Raised Panel Guides - Double Raise 1" Stock w/Bearing

G



Raised Panel Guides - Single Raise w/Bearing

I



Weaver Belt Power Feeder

E



Raised Panel Hold Down

F



Panel Raiser Plate

H



Adjustable Spacer

J



Raised Panel Dust Shield

K



Warning Disc

MANUFACTURED IN U.S.A.

www.weaver-company.com

Phone 1-913-831-1800

CALL TOLL FREE 1-800-255-6214

Fax 1-913-831-2974

Copyright © 2022 all Rights Reserved

WEAVER COMPANY - 1108 SOUTH 37TH STREET - KANSAS CITY, KS 66106 USA

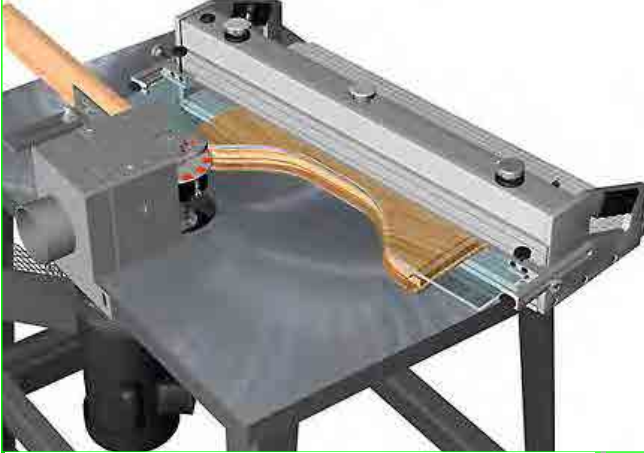
- 49 -

Crown Shaper

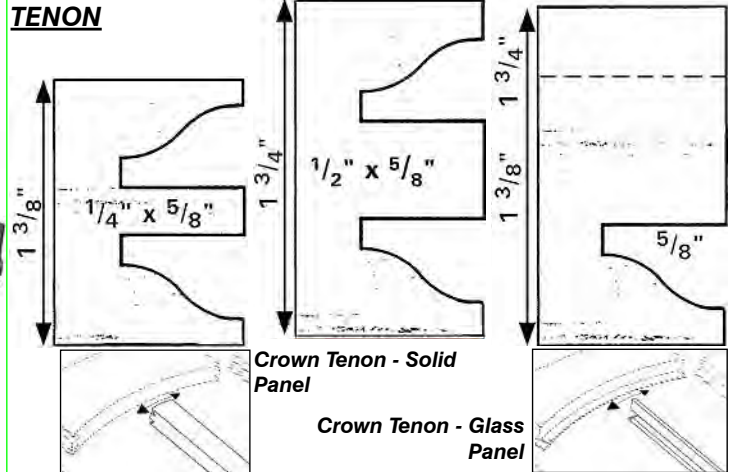
WEAVER

Note: In some of our pictures and illustrations the warning discs, dust shields, and some accessories have been removed for better illustration of the cutter and work.

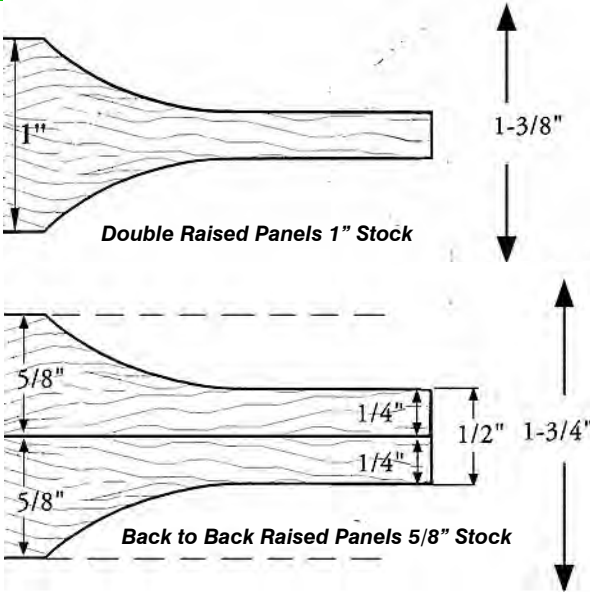
CROWN STICKING, PANEL RAISING & CURVED END MULLION SHAPER SETUP



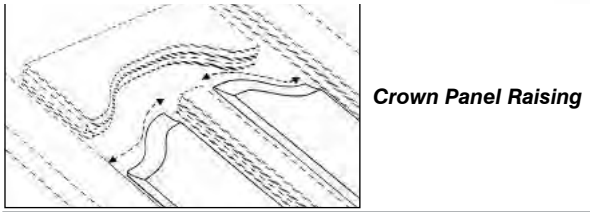
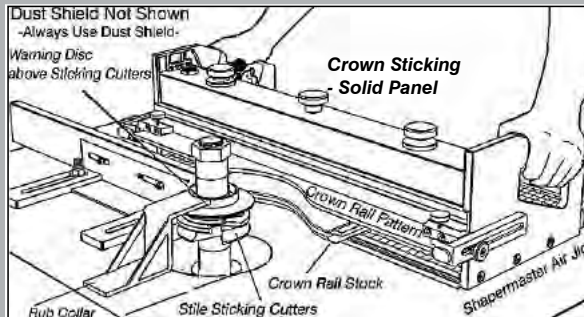
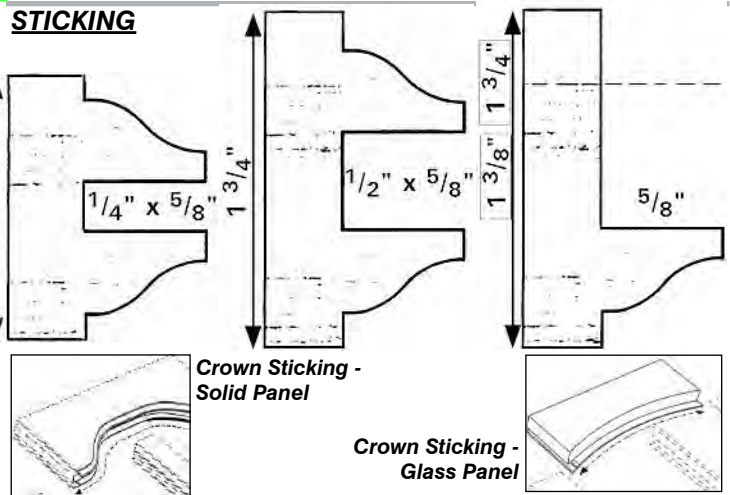
TENON



Note: Other Cutter Profiles Available

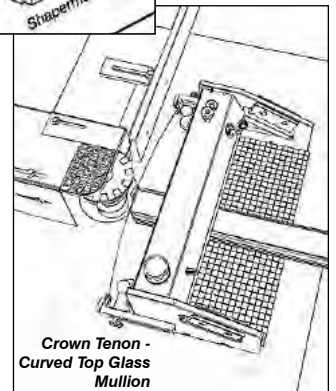
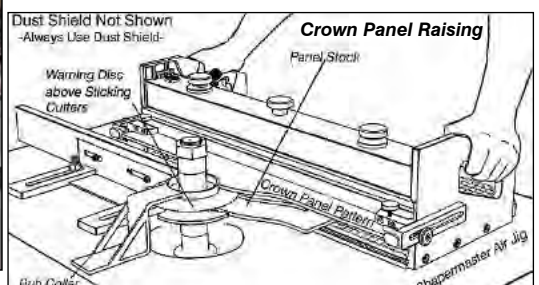


STICKING



4 CROWN SHAPING WITH THE SHAPERMASTER™

This setup will shape the crown rail, crown panel or curved mullion (Tenon) as the pattern follows the rub collar. The operation is made easier by the Jig gliding on a thin cushion of air.



MANUFACTURED IN U.S.A.

WEAVER

Crown Shaper

**House Door
Shaper Systems**
Entry - Passage - Interior - Exterior

A Shaper 7-1/2 HP
(1-1/4" Spindle, 28"x40"top)



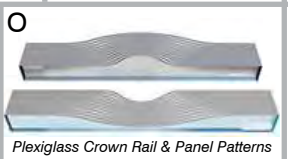
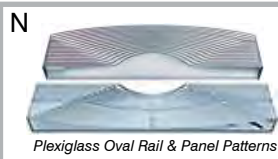
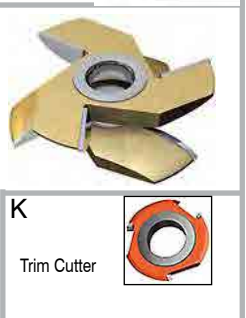
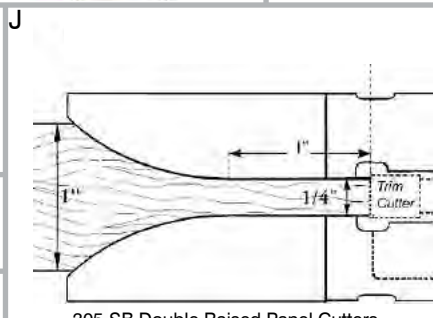
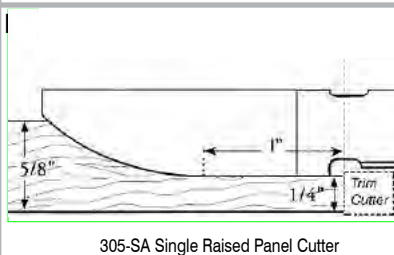
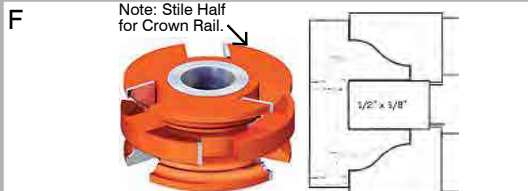
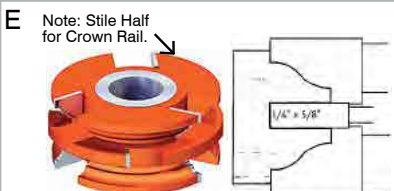
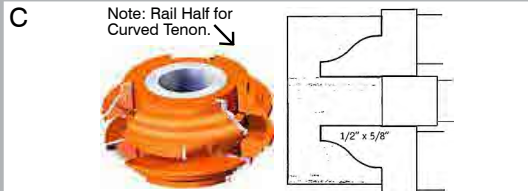
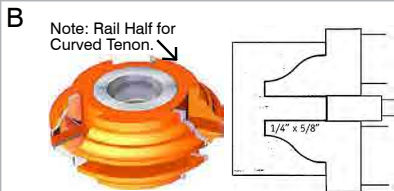
CROWN SHAPING SETUP

Item#	Description	Price
SH2736	Shaper - Large 7-1/2 HP 3 PH 1-1/4" Spindle - 28" x 40" Top	9,754
PC11-021	Cutter Set House Door 1-3/8"	1,298
PC11-021	Cutter Set House Door 1-3/4"	1,298
PC11-021GP	Cutter Set Glass House Door 1-3/8" - 1-3/4"	1,056
LRHX-305-SA	Raised Panel Cutter - Single Raise	678
LRHC-CUTTER	Panel Trim Cutter 2-1/4" OD x 1-1/4" Bore	239
LRHX-305-SB-BB	Double 1" Panel Recessed for a Ball Bearing Rub Collar 1-1/4" Bore	1,554
DC20822	Dead Collar 2-1/4" OD x 2-3/4" Tall	155
DC22430	Dead Collar 2-3/4" OD x 3-3/4" Tall	155
FE77	Right Half Of Split Fence w/Depth Bolt	155
AJ3212	Jig-32" X 12" Shapermaster	90
AJXTGM	Blow Out Block - True Glass Mullion	3,234
PA3245	House Door Crown Rail & Panel Plexiglass 32" Patterns	270
PA3246	House Door Oval Rail & Panel Plexiglass 32" Patterns	1,074
SPA600625	Spacer 1-1/4" Bore x 1/16" Thick (6)	1,074
SPA125	Adjustable Spacer 1-1/4" Bore (3)	173
WD4246	Warning Disc - 4-1/4" x 1-1/4" ID (6)	428
WD6166	Warning Disc - 6-1/2" OD x 1-1/4" ID (2)	n/c
DS457	Dust Shield 4" Crown Rails w/Shapermaster	n/c
DS467	Dust Shield 4" Crown Panels w/Shapermaster	280
		359

Crown Shaper Total:

\$23,698 \$23,324 (5HP 1 PH) (7-1/2HP 3 PH)

Note: Other Cutter Profiles Available



Phone 1-913-831-1800

CALL TOLL FREE 1-800-255-6214

Fax 1-913-831-2974

Copyright © 2022 all Rights Reserved

WEAVER COMPANY - 1108 SOUTH 37TH STREET - KANSAS CITY, KS 66106 USA

www.weaver-company.com

- 51 -

Page	The Essentials for..
52	Shaper Essentials for Weaver Shapers Table of Contents
53	Crown Panel Trimming..... Manual Panel Jig
54 Manual Coping Jig -Continuous Fence - Trim Table
55 Air Tenon Jig - Continuous Fence - Trim Table
56 Coping Hold Down - Split Fence
57 Air Tenon Jig - Split Fence - Trim Table
58	Tenon..... Coping Hold Down - Continuous Fence
59 Air Tenon Jig - Continuous Fence
60 Coping Hold Down - Split Fence
61 Air Tenon Jig - Split Fence
62	Stile & Rail Sticking..... Sticker Plate with Hold Down
63 Sticker Plate & Power Feeder
64 Crown Rail Sticking - Manual Setup
66 Sticker Guide & Fence with Hold Down
67 Sticker Guide & Fence with Power Feeder
68	Panel Raising..... Single Raise with Hold Down
69 Single Raise with Hold Down & Power Feeder
70 Partial Offset with Hold Down
71 Partial Offset with Hold Down & Power Feeder
72	Crown Rail &Panel Trimming Shapermaster™ Air Jig - Dead Collar
73 Shapermaster™ Air Jig - Bearing
74	Crown Panel Raising..... Shapermaster™ Air Jig - Dead Collar
75 Shapermaster™ Air Jig - Bearing
76	Crown Rail Sticking..... Shapermaster™ Air Jig - Dead Collar
77 Shapermaster™ Air Jig - Bearing
78	Door Edge..... Continuous Fence
79 Split Fence

MANUFACTURED IN U.S.A.

www.weaver-company.com

Phone 1-913-831-1800

CALL TOLL FREE 1-800-255-6214

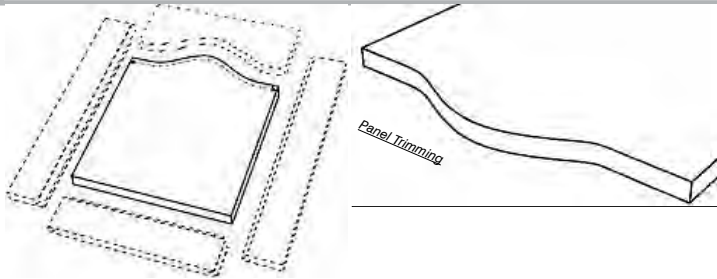
Fax 1-913-831-2974

WEAVER

Crown Panel Trimming

Manual Jig

Shaper Essentials™
FOR WEAVER SHAPERS



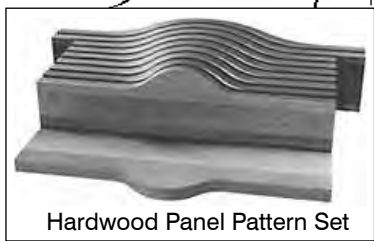
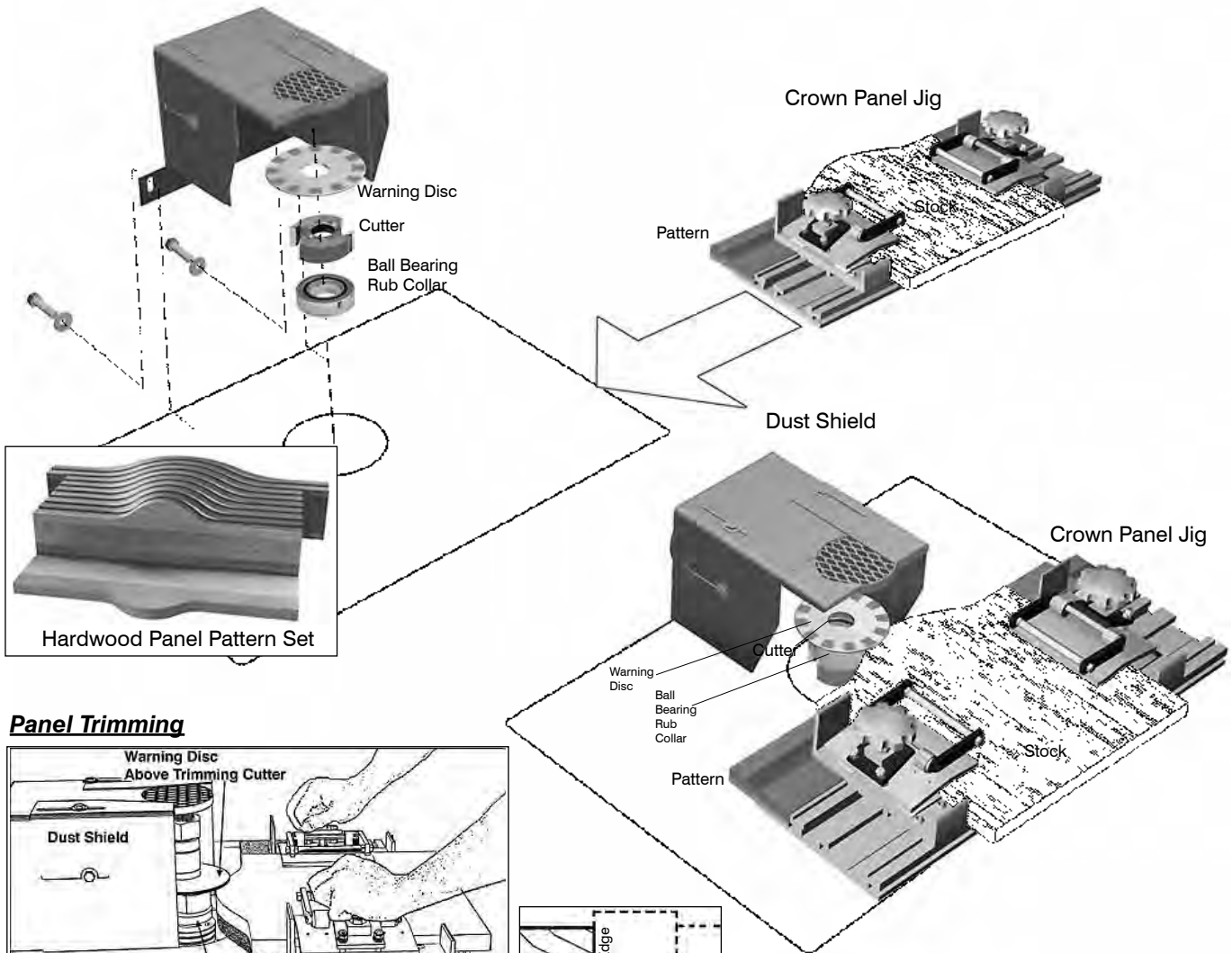
Panel Trimming Setup - Manual Jig - For Weaver Shaper

Item#	Description	Price
JM310	Manual Crown Panel Jig	594
PA417	Hardwood Patterns - 1-1/2" Crown Panel	318
FRE8389	Panel Trimming Cutter 2W Carbide	
	Square Edge	299
	BB Ball Bearing Rub Collar	107
DS472	Dust Shield for Panel Trimming	239
	WD Warning Disc	42

		\$1,599

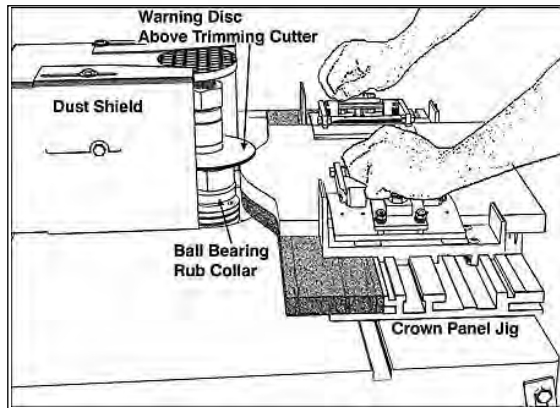
Dust Shield

Crown Panel Jig

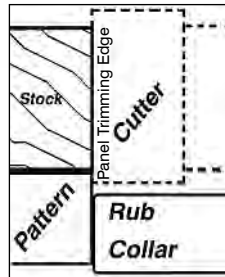


Hardwood Panel Pattern Set

Panel Trimming



Panel Stock June need to be rough band sawed (approx. 1/8" larger than finished panel) before crown panel trimming.



MANUFACTURED IN U.S.A.

www.weaver-company.com

Phone 1-913-831-1800

CALL TOLL FREE 1-800-255-6214

Fax 1-913-831-2974

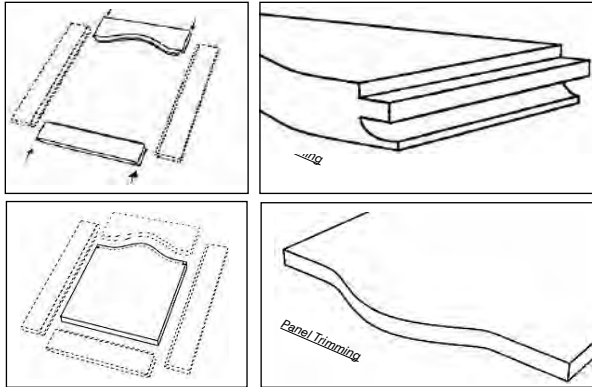
Copyright © 2022 all Rights Reserved

WEAVER COMPANY - 1108 SOUTH 37TH STREET - KANSAS CITY, KS 66106 USA

- 53 -

Crown Panel Trimming

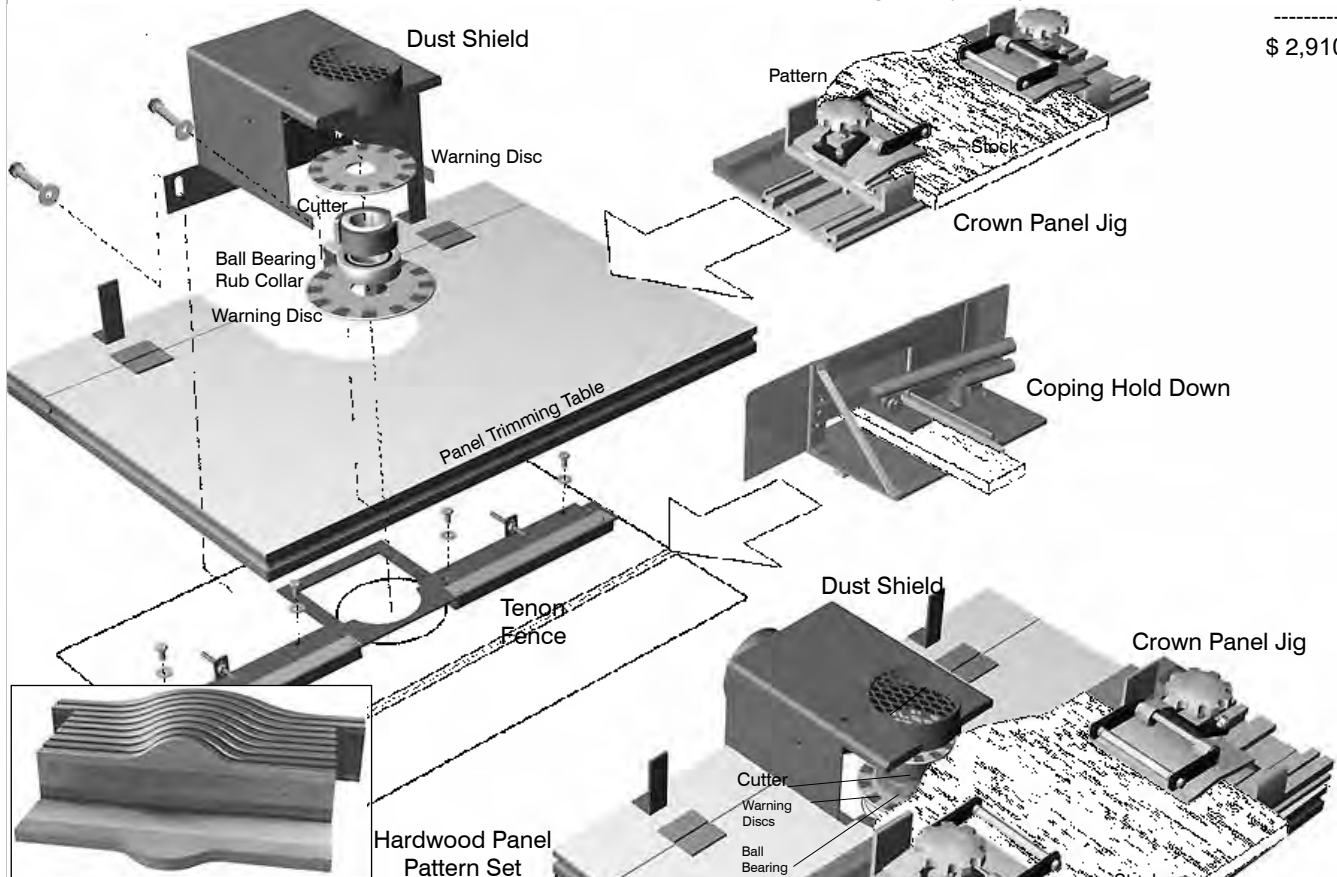
Manual Coping Jig - Continuous Fence - Trimming Table



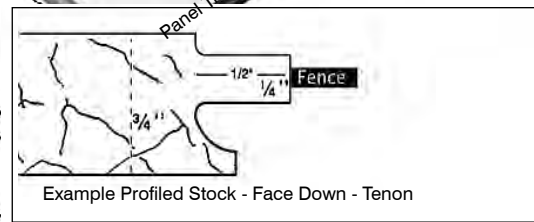
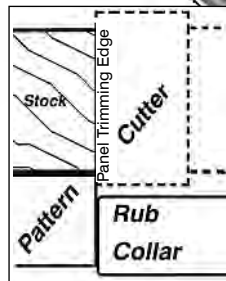
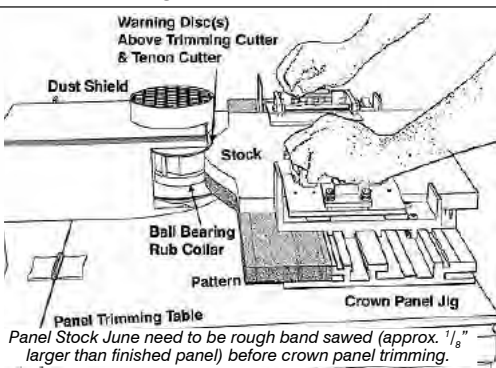
Panel Trimming Setup - Continuous Fence Manual Jig - Trimming Table - For Weaver Shaper

Item#	Description	Price
FE365	Panel Trimming Table	419
FE25	Tenon Fence	323
HD225W	Coping Hold Down	527
JM310	Manual Crown Panel Jig	594
PA417	Hardwood Patterns - 1-1/2" Crown Panel	318
FRE8389	Panel Trimming Cutter 2W Carbide	
	Square Edge	299
	BB Ball Bearing Rub Collar	107
	DS Dust Shield for Panel Trimming	239
	WD Warning Disc (Trimming)	42
	WD Warning Disc (Tenon)	42

\$ 2,910



Panel Trimming



MANUFACTURED IN U.S.A.

Phone 1-913-831-1800

CALL TOLL FREE 1-800-255-6214

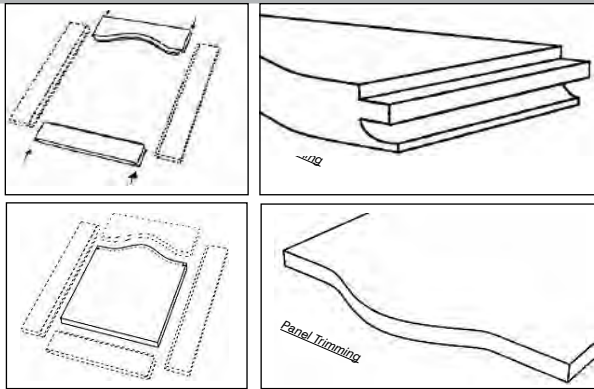
Fax 1-913-831-2974

WEAVER

Crown Panel Trimming

Air Tenon Jig - Continuous Fence - Trimming Table

Shaper Essentials™
FOR WEAVER SHAPERS

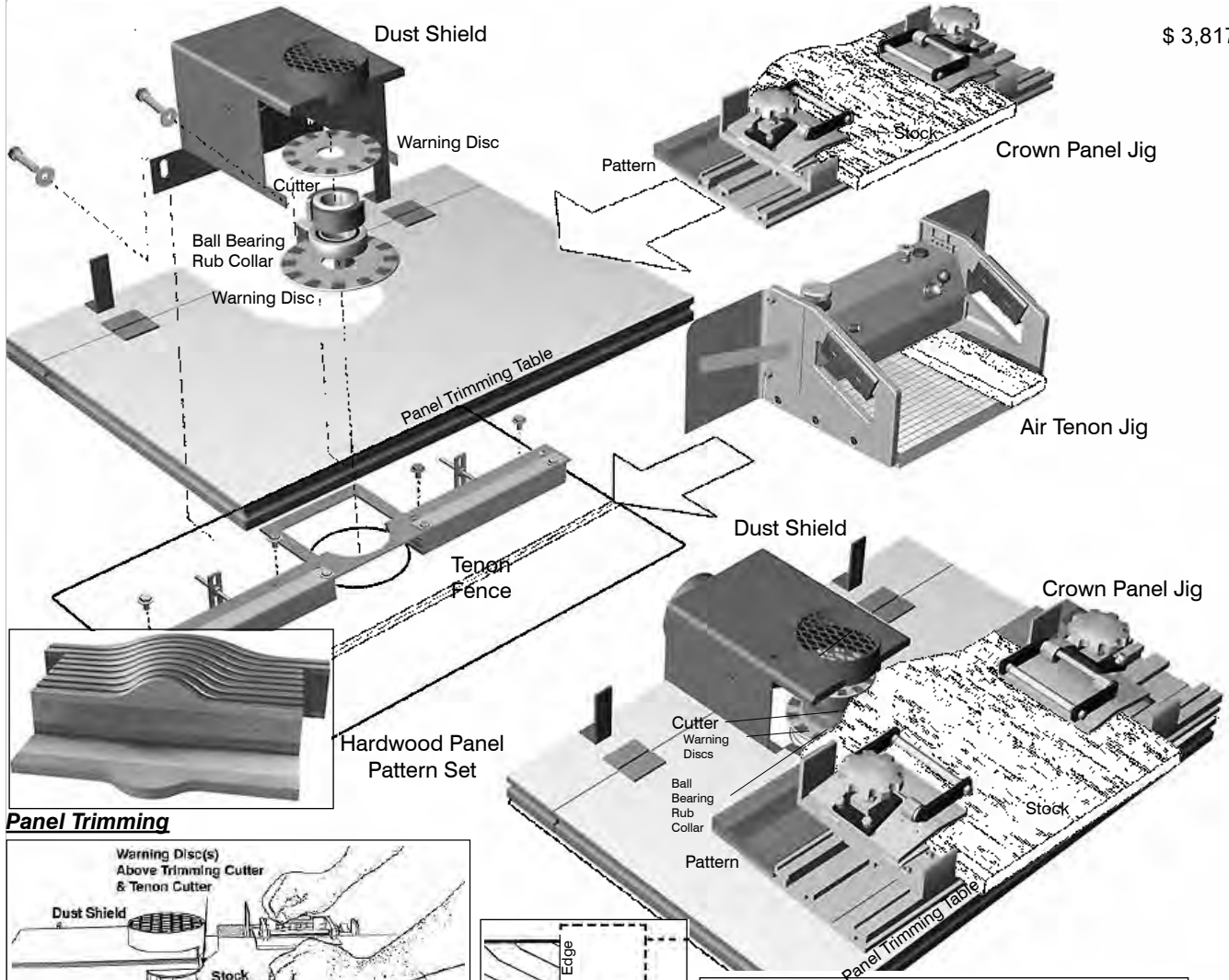


Panel Trimming Setup - Continuous Fence

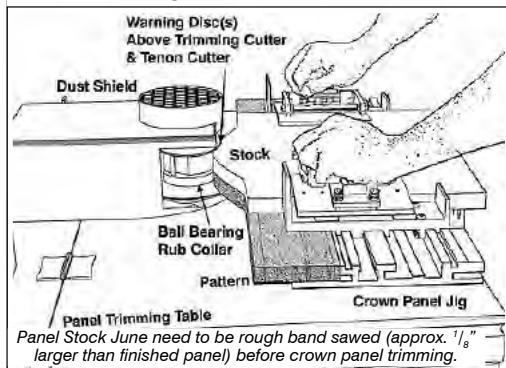
Air Tenon Jig - Trimming Table - For Weaver Shaper

Item#	Description	Price
FE365	Panel Trimming Table	419
FE27	Tenon Fence	323
AJ1201RW	Air Tenon Jig	1,434
JM310	Manual Crown Panel Jig	594
PA417	Hardwood Patterns - 1-1/2" Crown Panel	318
FRE8389	Panel Trimming Cutter 2W Carbide	
	Square Edge	299
	BB Ball Bearing Rub Collar	107
	DS Dust Shield for Tenon & Panel Trimming	239
	WD Warning Disc (Trimming)	42
	WD Warning Disc (Tenon)	42

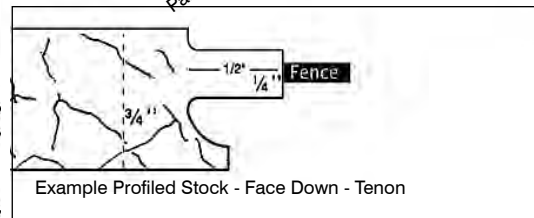
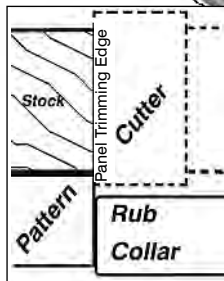
\$ 3,817



Panel Trimming



Panel Stock June need to be rough band sawed (approx. 1/8" larger than finished panel) before crown panel trimming.



MANUFACTURED IN U.S.A.

Phone 1-913-831-1800

CALL TOLL FREE 1-800-255-6214

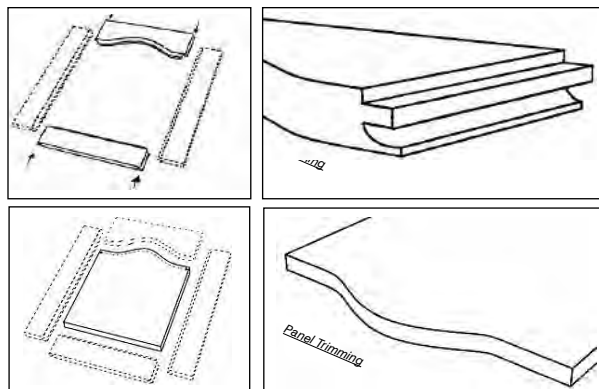
Fax 1-913-831-2974

Copyright © 2022 all Rights Reserved

WEAVER COMPANY - 1108 SOUTH 37TH STREET - KANSAS CITY, KS 66106 USA

www.weaver-company.com

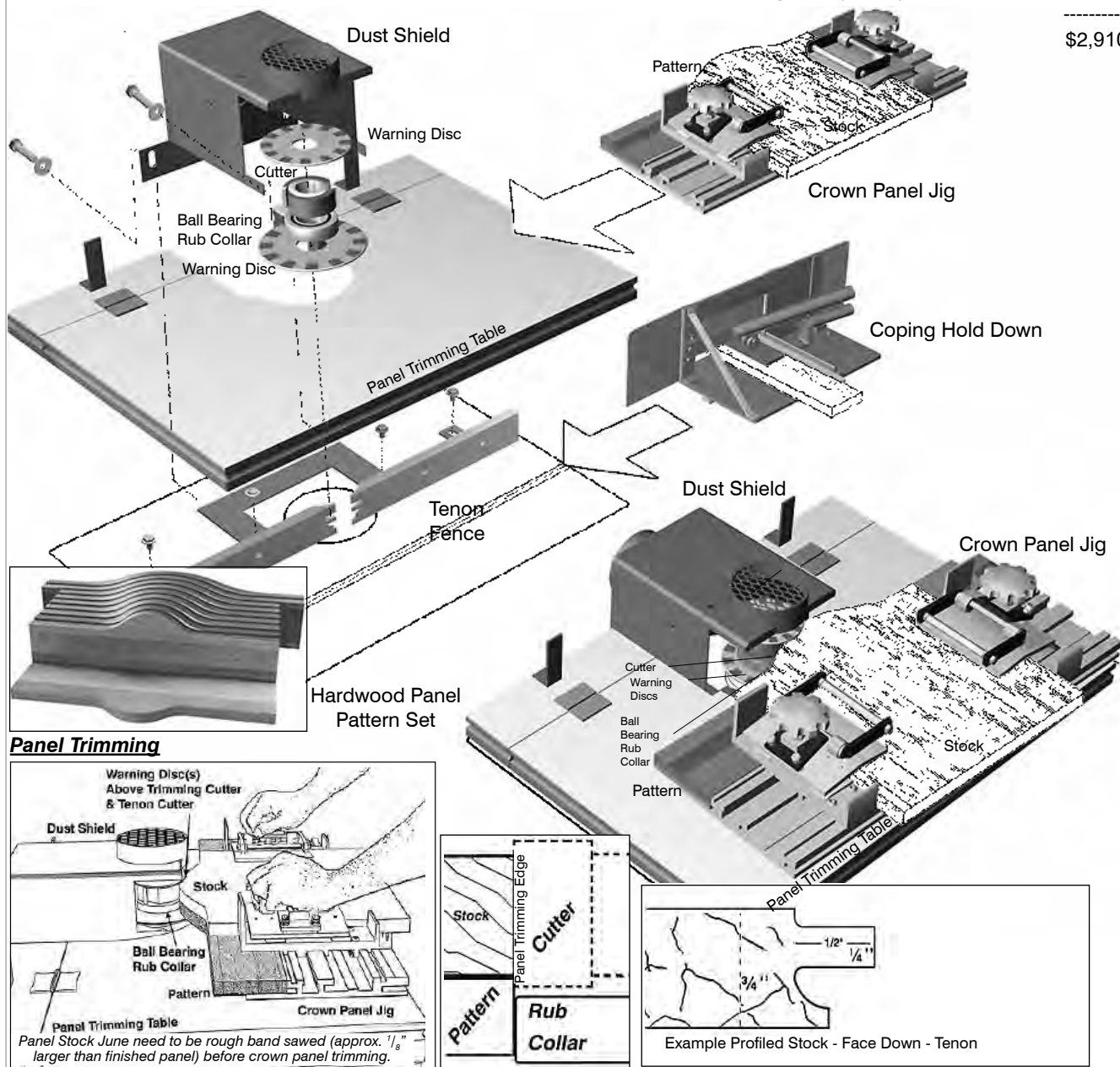
- 55 -



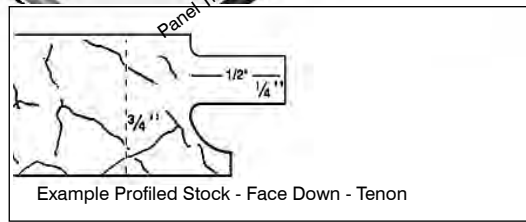
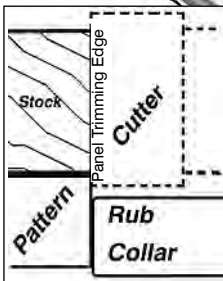
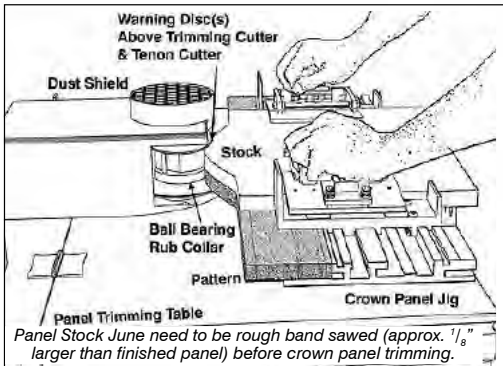
Panel Trimming Setup - Split Fence
Manual Jig - Trimming Table - For Weaver Shaper

Item#	Description	Price
FE365	Panel Trimming Table	419
FE53	Tenon Fence	323
HD225W	Coping Hold Down	527
JM310	Manual Crown Panel Jig	594
PA417	Hardwood Patterns - 1-1/2" Crown Panel	318
FRE8389	Panel Trimming Cutter 2W Carbide	
	Square Edge	299
	BB Ball Bearing Rub Collar	107
	DS Dust Shield for Panel Trimming	239
	WD Warning Disc (Trimming)	42
	WD Warning Disc (Tenon)	42

\$2,910



Panel Trimming



MANUFACTURED IN U.S.A.

www.weaver-company.com

Phone 1-913-831-1800

CALL TOLL FREE 1-800-255-6214

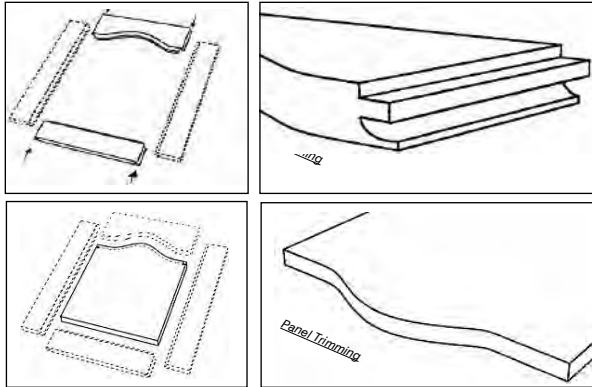
Fax 1-913-831-2974

WEAVER

Crown Panel Trimming

Air Tenon Jig - Split Fence - Trimming Table

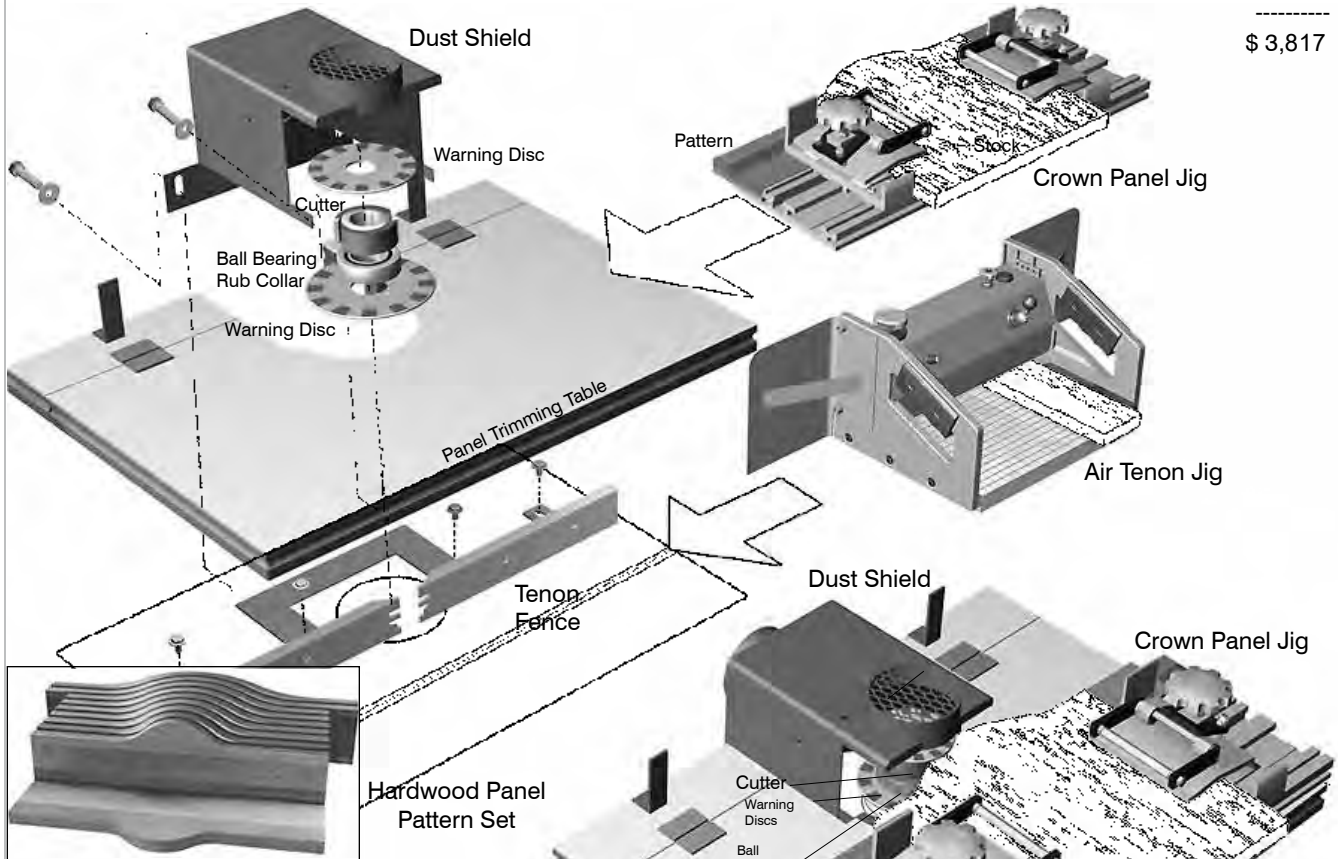
Shaper Essentials™
FOR WEAVER SHAPERS



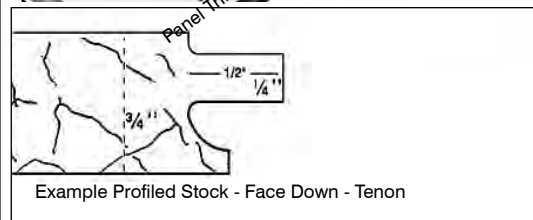
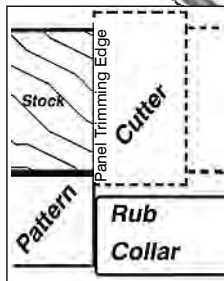
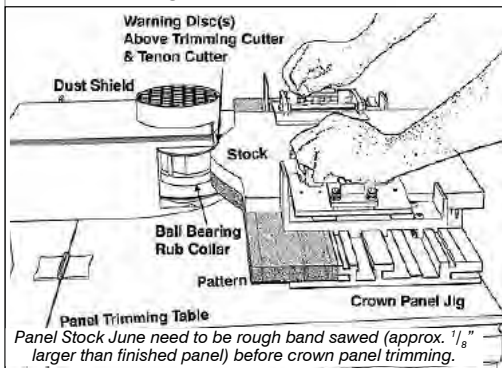
Panel Trimming Setup - Split Fence
Air Tenon Jig - Trimming Table - For Weaver Shaper

Item#	Description	Price
FE365	Panel Trimming Table	419
FE53	Tenon Fence	323
AJ1201RW	Air Tenon Jig	1,434
JM310	Manual Crown Panel Jig	594
PA417	Hardwood Patterns - 1-1/2" Crown Panel	318
FRE8389	Panel Trimming Cutter 2W Carbide	
	Square Edge	299
	BB Ball Bearing Rub Collar	107
	DS DustShield for PanelTrimming	239
	WD Warning Disc(Trimming)	42
	WD Warning Disc(Tenon)	42

\$ 3,817



Panel Trimming



MANUFACTURED IN U.S.A.

www.weaver-company.com

Phone 1-913-831-1800

CALL TOLL FREE 1-800-255-6214

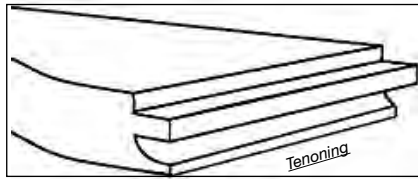
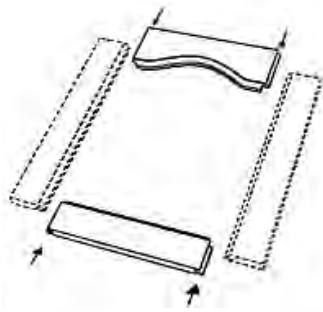
Fax 1-913-831-2974

Copyright © 2022 all Rights Reserved

WEAVER COMPANY - 1108 SOUTH 37TH STREET - KANSAS CITY, KS 66106 USA

- 57 -

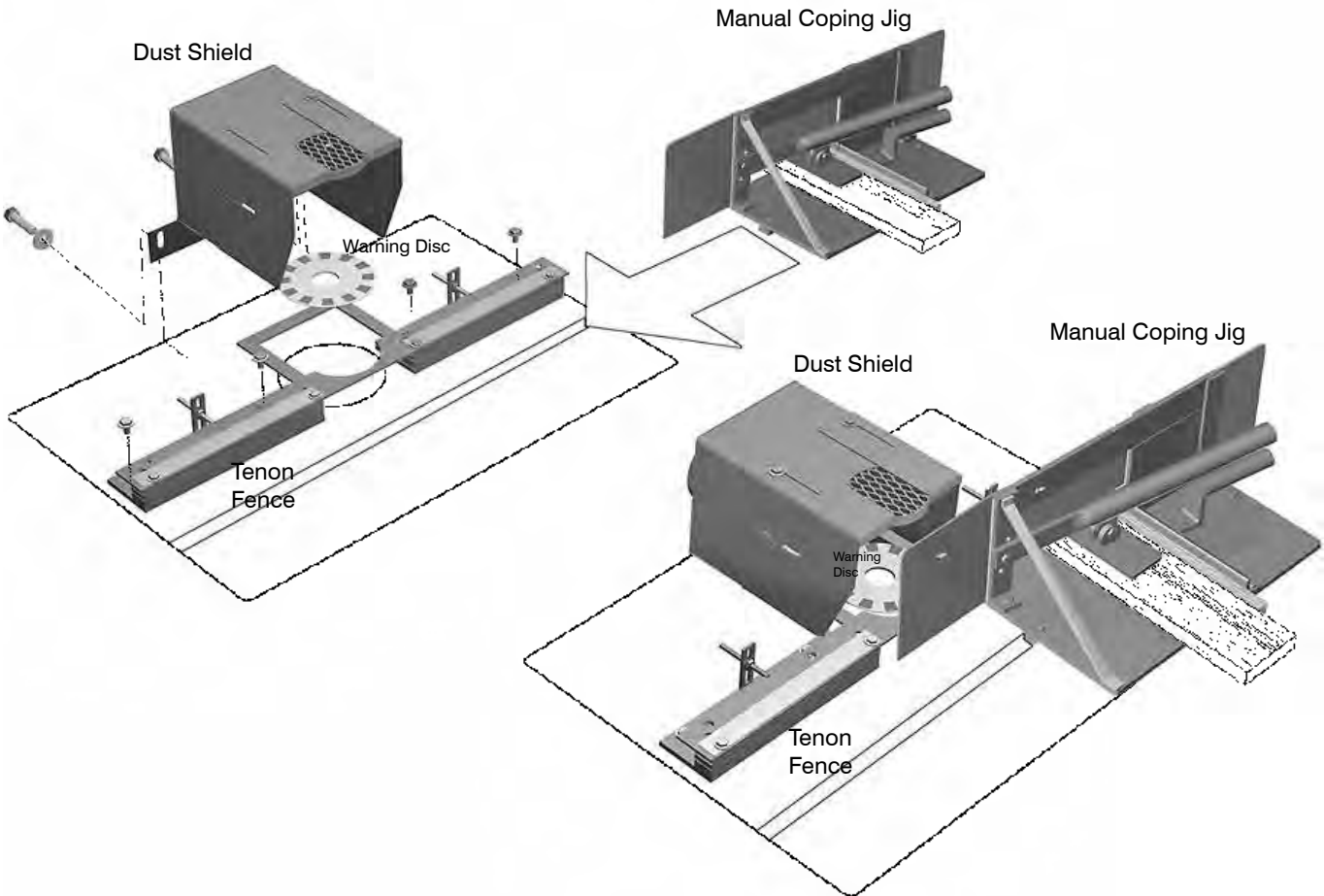
Coping Hold Down - Continuous Fence



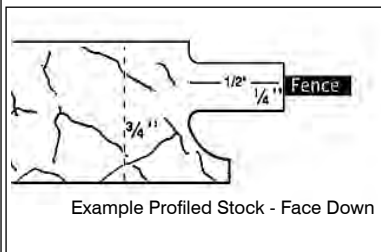
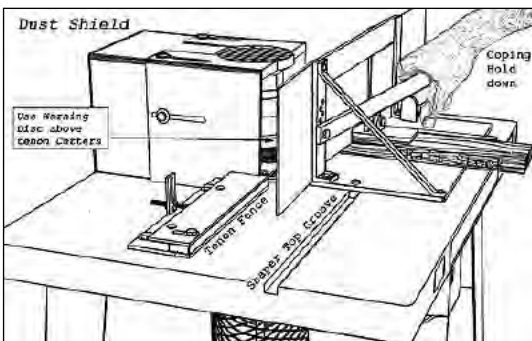
Tenon Setup - Continuous Fence Coping Hold Down - For Weaver Shaper

Item#	Description	Price
HD225W	Coping Hold Down	527
FE25	Tenon Fence	323
WD	Warning Disc	42
DS441	Dust Shield	239

		\$ 1,131



Tenoning



MANUFACTURED IN U.S.A.

Phone 1-913-831-1800

CALL TOLL FREE 1-800-255-6214

Fax 1-913-831-2974

www.weaver-company.com

WEAVER

Tenon

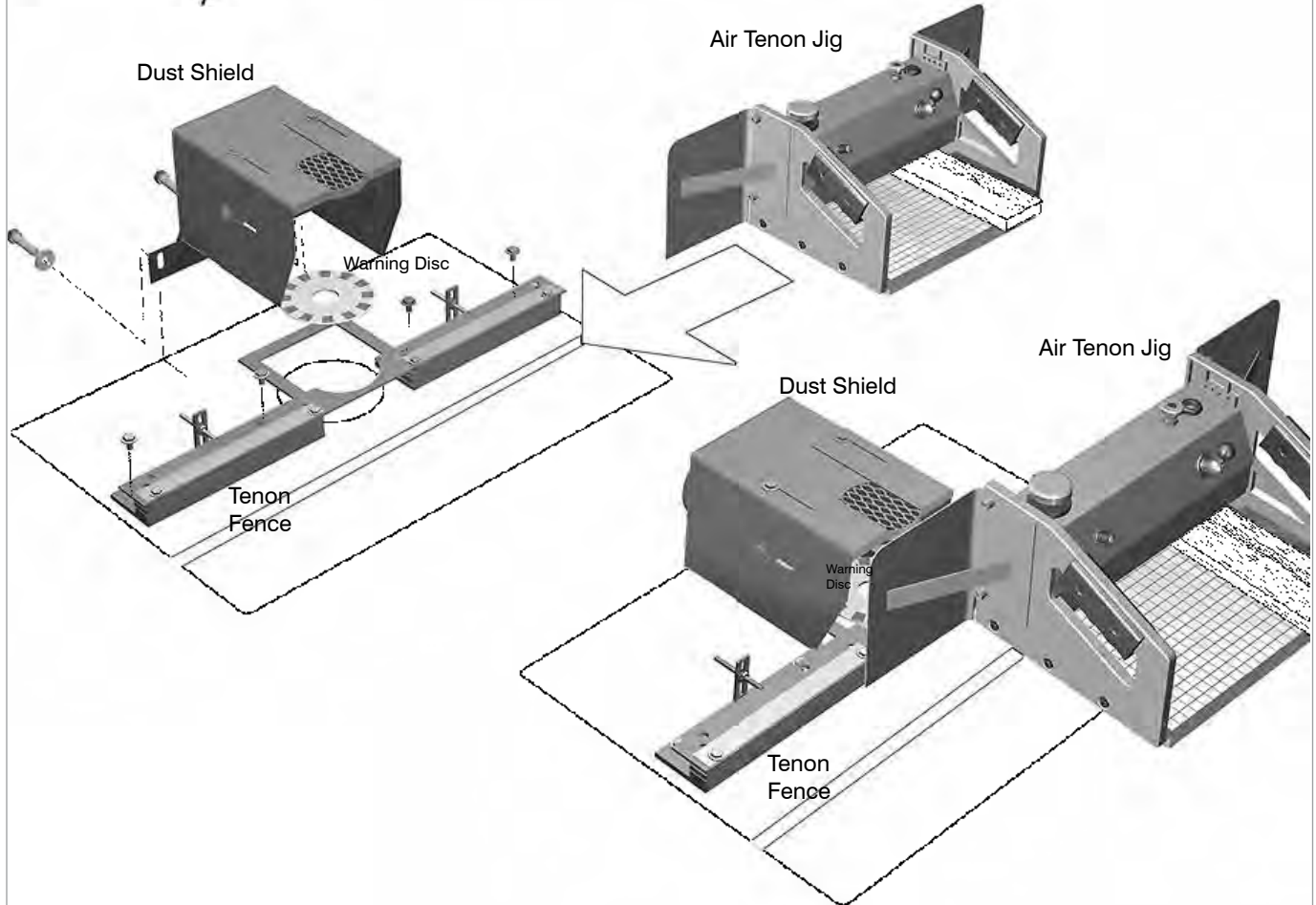
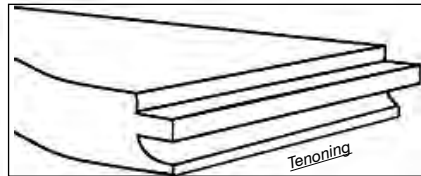
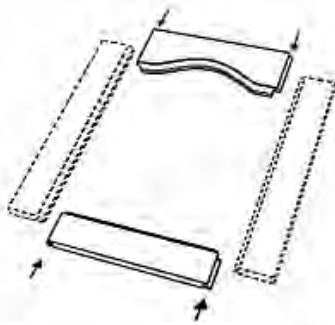
Shaper Essentials™
FOR WEAVER SHAPERS

Air Tenon Jig - Continuous Fence

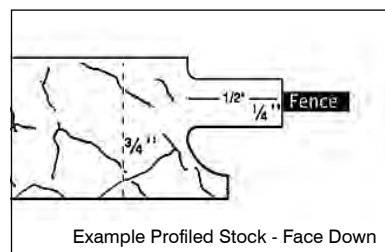
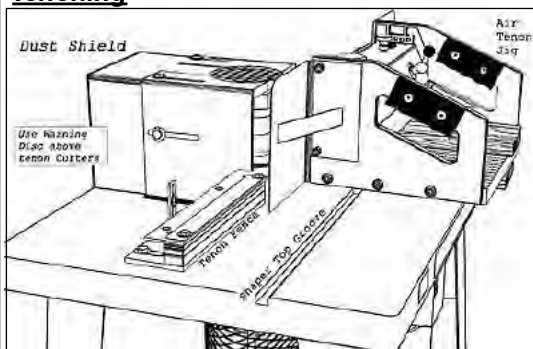
**Tenon Setup - Continuous Fence -
Air Tenon Jig - For Weaver Shaper**

Item#	Description	Price
AJ1201RW	Air Tenon Jig	1,434
FE27	Tenon Fence	323
WD	Warning Disc	42
DS441	Dust Shield	239

		\$2,038



Tenoning



MANUFACTURED IN U.S.A.

www.weaver-company.com

Phone 1-913-831-1800

CALL TOLL FREE 1-800-255-6214

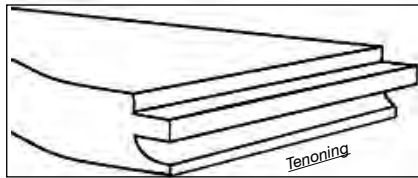
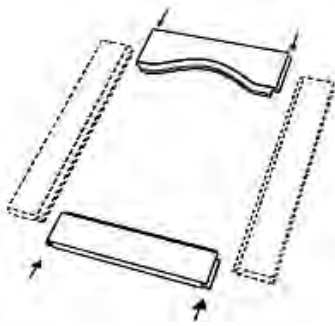
Fax 1-913-831-2974

Copyright © 2022 all Rights Reserved

WEAVER COMPANY - 1108 SOUTH 37TH STREET - KANSAS CITY, KS 66106 USA

- 59 -

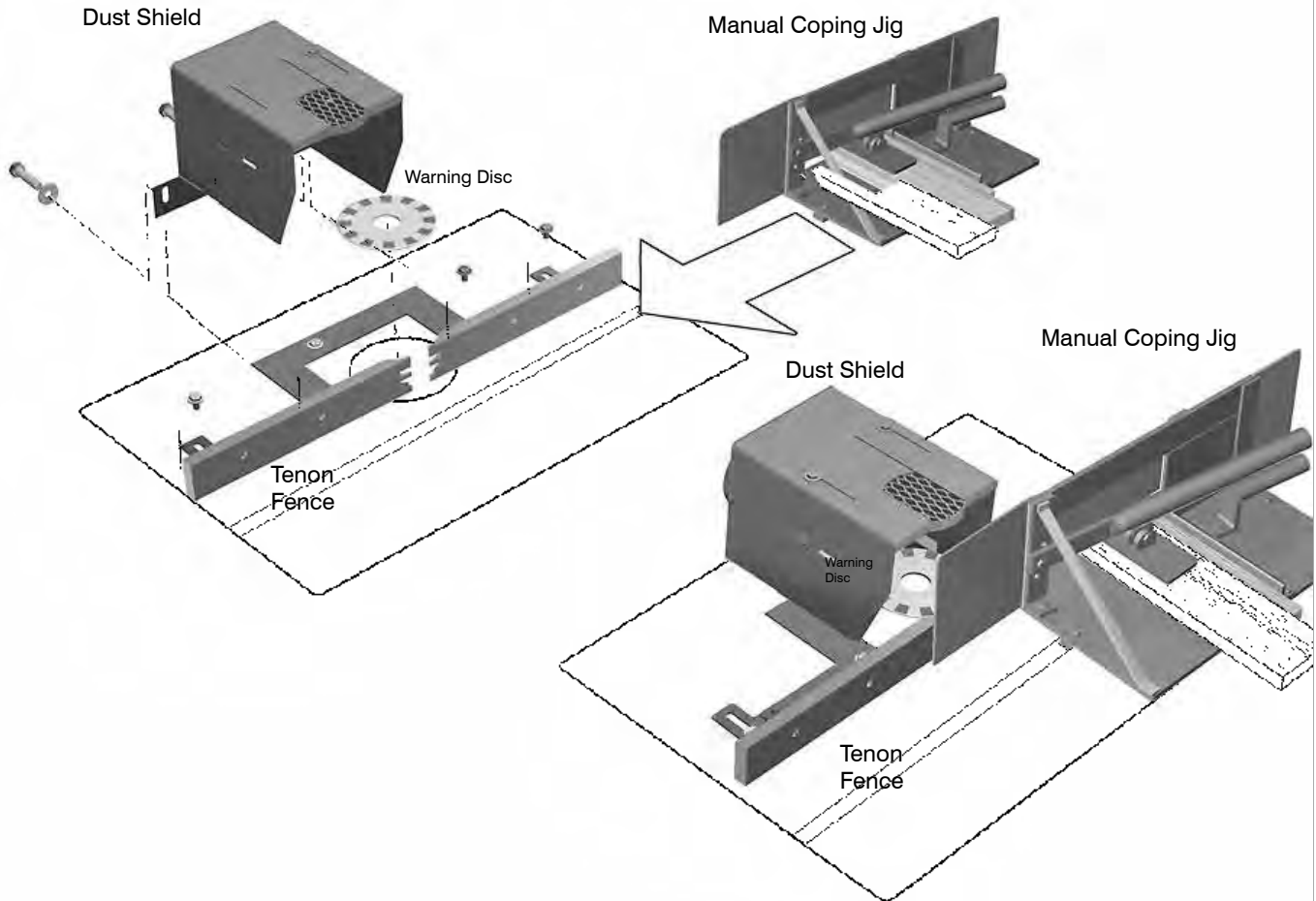
Coping Hold Down - Split Fence



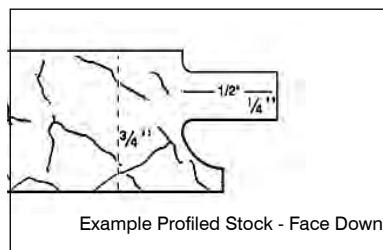
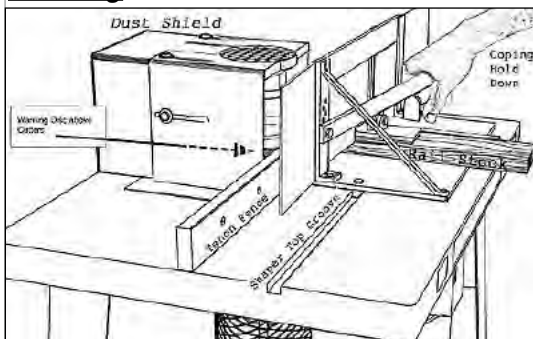
Tenon Setup - Split Fence - Coping Hold Down - For Weaver Shaper

Item#	Description	Price
HD225W	Coping Hold Down	527
FE5628	Tenon Fence	323
WD	Warning Disc	42
DS441	Dust Shield	239

		\$1,131



Tenoning



MANUFACTURED IN U.S.A.

Phone 1-913-831-1800

CALL TOLL FREE 1-800-255-6214

Fax 1-913-831-2974

www.weaver-company.com

WEAVER

Tenon

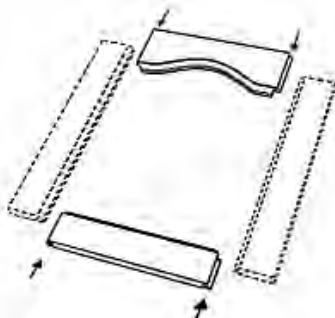
Air Tenon Jig - Split Fence

Shaper Essentials™
FOR WEAVER SHAPERS

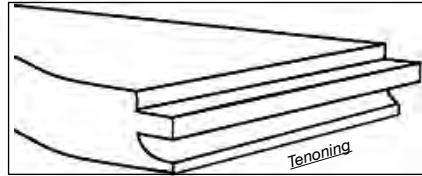
**Tenon Setup - Split Fence -
Air Tenon Jig - For Weaver Shaper**

Item#	Description	Price
AJ1201RW	Air Tenon Jig	1,434
FE5628	Tenon Fence	323
WD	Warning Disc	42
DS441	Dust Shield	239

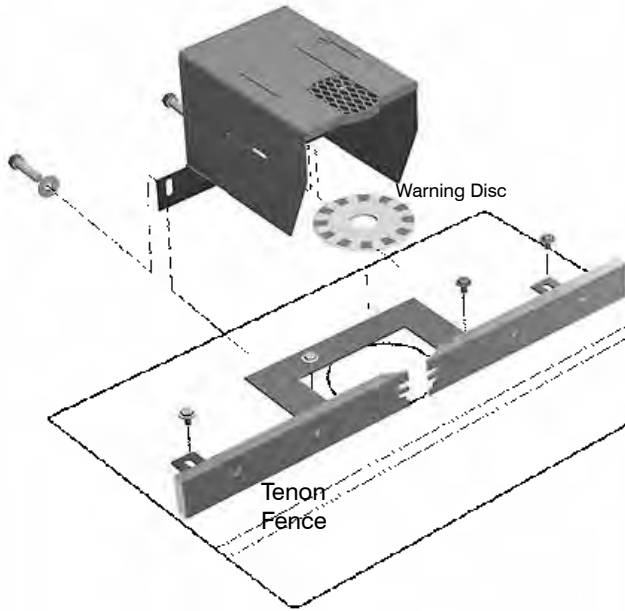
		\$2,038



Dust Shield

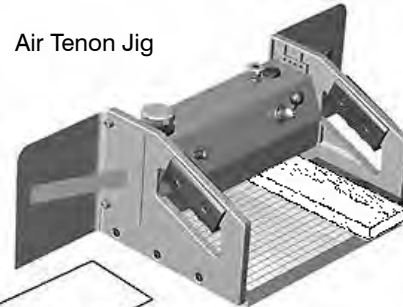


Tenoning

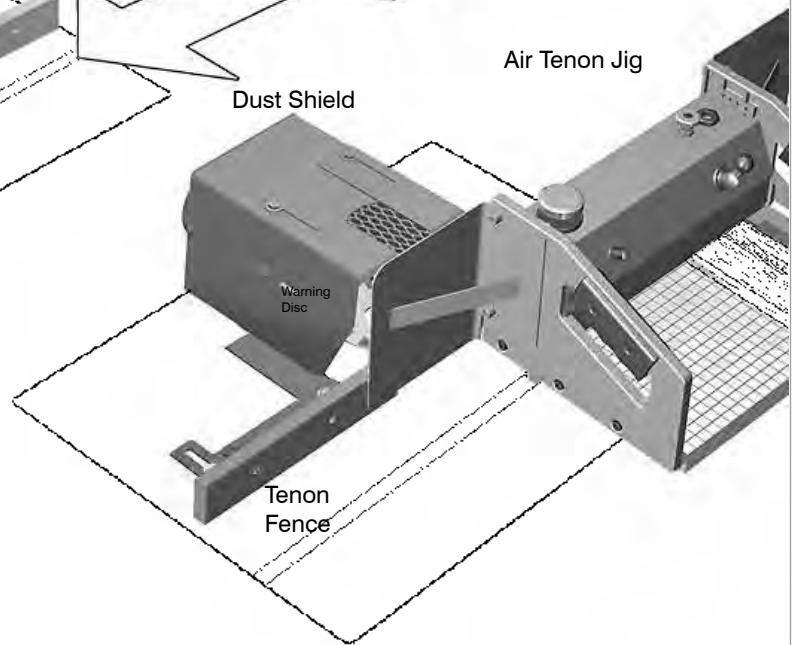


Warning Disc

Tenon Fence



Air Tenon Jig

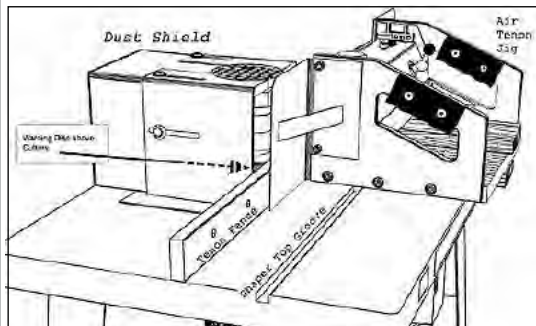


Air Tenon Jig

Dust Shield

Tenon Fence

Tenoning

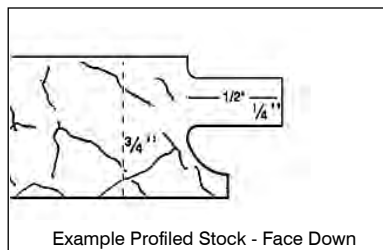


Dust Shield

Air Tenon Jig

Warning Disc Shows Cutters

Shaper Jig Guides



Example Profiled Stock - Face Down

MANUFACTURED IN U.S.A.

www.weaver-company.com

Phone 1-913-831-1800

CALL TOLL FREE 1-800-255-6214

Fax 1-913-831-2974

Copyright © 2022 all Rights Reserved

WEAVER COMPANY - 1108 SOUTH 37TH STREET - KANSAS CITY, KS 66106 USA

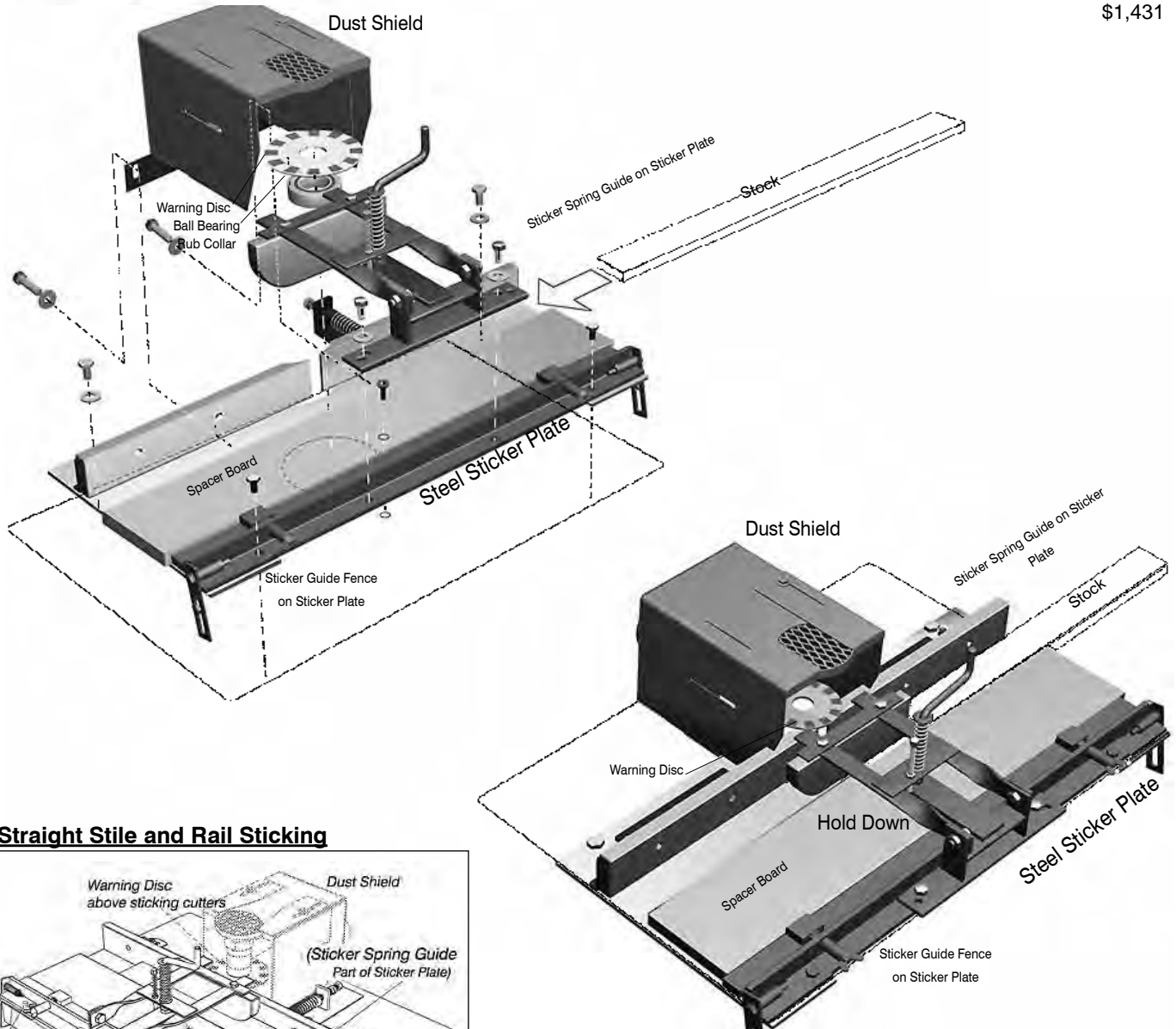
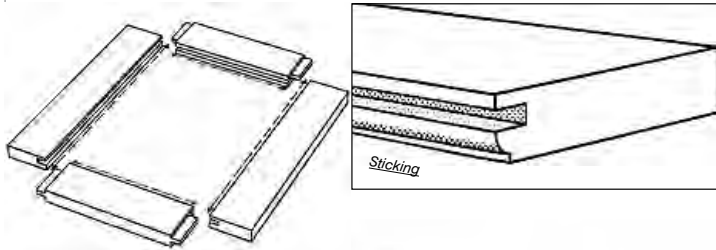
- 61 -

Sticker Plate with Hold Down

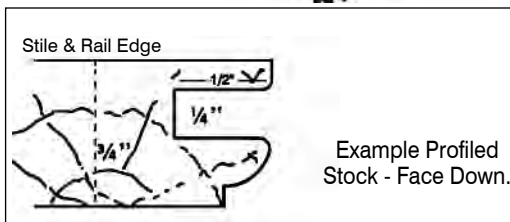
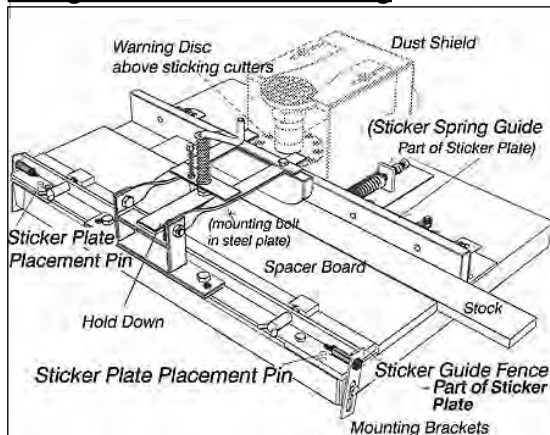
Straight Sticking Setup - For Weaver Shaper - Sticker Plate

Item#	Description	Price
FE360H	Sticker Plate Setup w/Hold Down	1,043
BBRC	Ball Bearing Rub Collar	107
DS455	Dust Shield	239
WD	Warning Disc	42

		\$1,431



Straight Stile and Rail Sticking



MANUFACTURED IN U.S.A.

www.weaver-company.com

Phone 1-913-831-1800

CALL TOLL FREE 1-800-255-6214

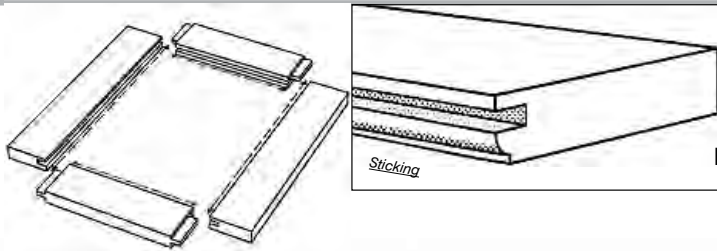
Fax 1-913-831-2974

WEAVER

Straight Stile & Rail Sticking

Sticker Plate & Power Feeder

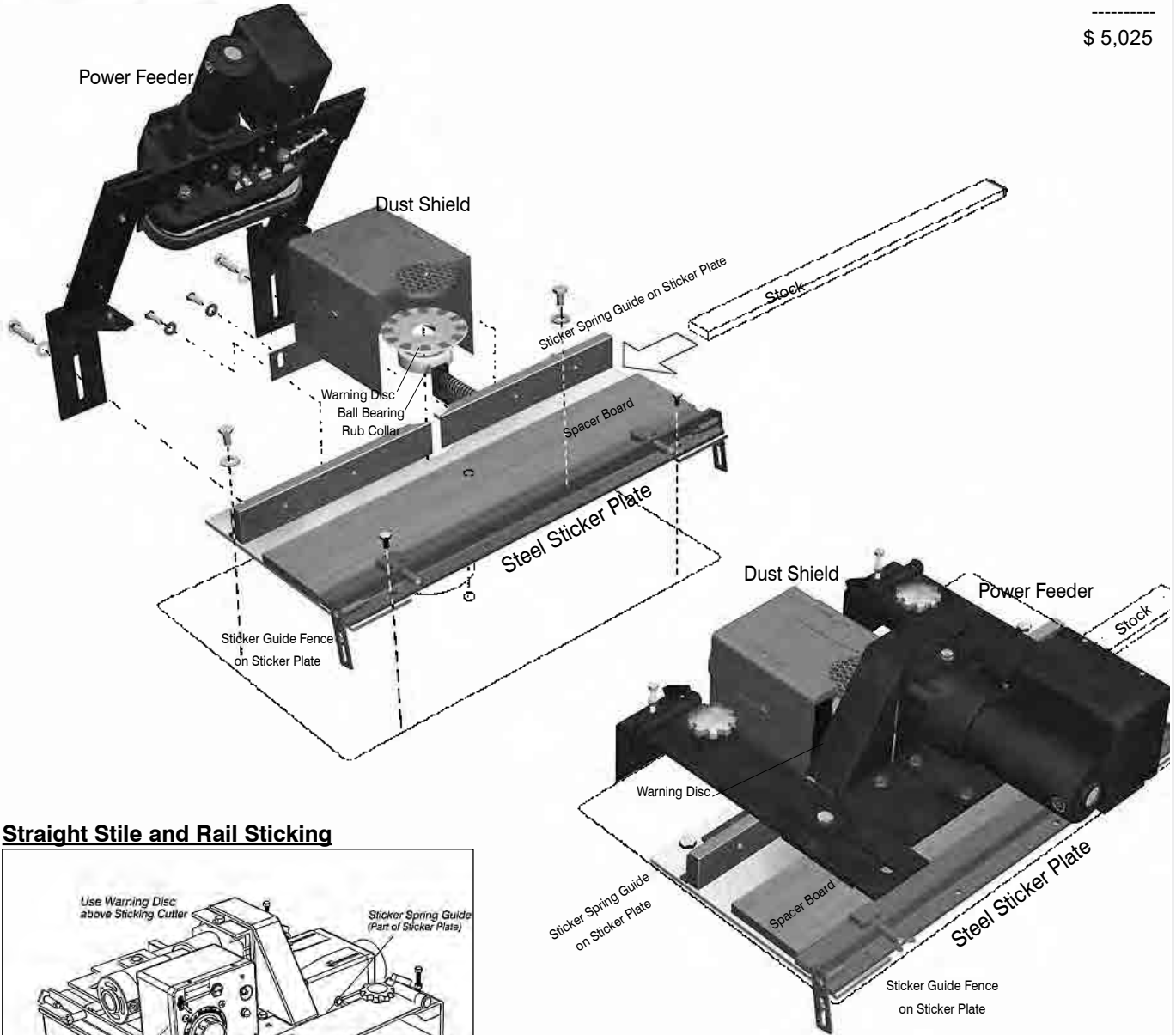
Shaper Essentials™
FOR WEAVER SHAPERS



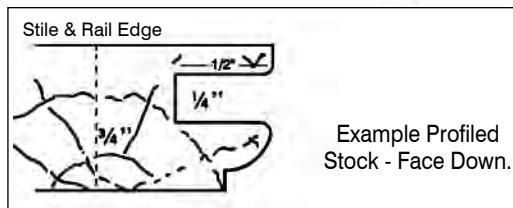
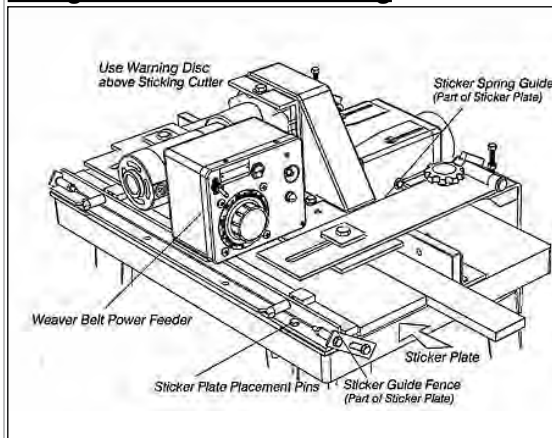
Straight Sticking Setup - For Weaver Shaper - Sticker Plate

Item#	Description	Price
FE360H	Sticker Plate Setup w/Hold Down	1,043
PF721W	Weaver Variable Speed Power Feeder	3,594
BBRC	Ball Bearing Rub Collar	107
DS455	Dust Shield	239
WD	Warning Disc	42

		\$ 5,025



Straight Stile and Rail Sticking



MANUFACTURED IN U.S.A.

www.weaver-company.com

Phone 1-913-831-1800

CALL TOLL FREE 1-800-255-6214

Fax 1-913-831-2974

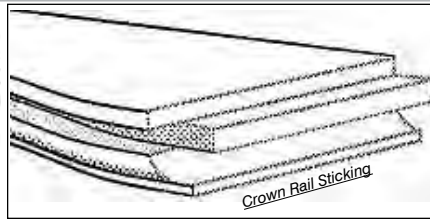
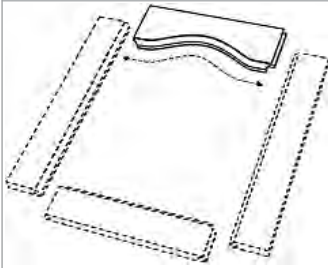
Copyright © 2022 all Rights Reserved

WEAVER COMPANY - 1108 SOUTH 37TH STREET - KANSAS CITY, KS 66106 USA

- 63 -

Crown Rail Sticking

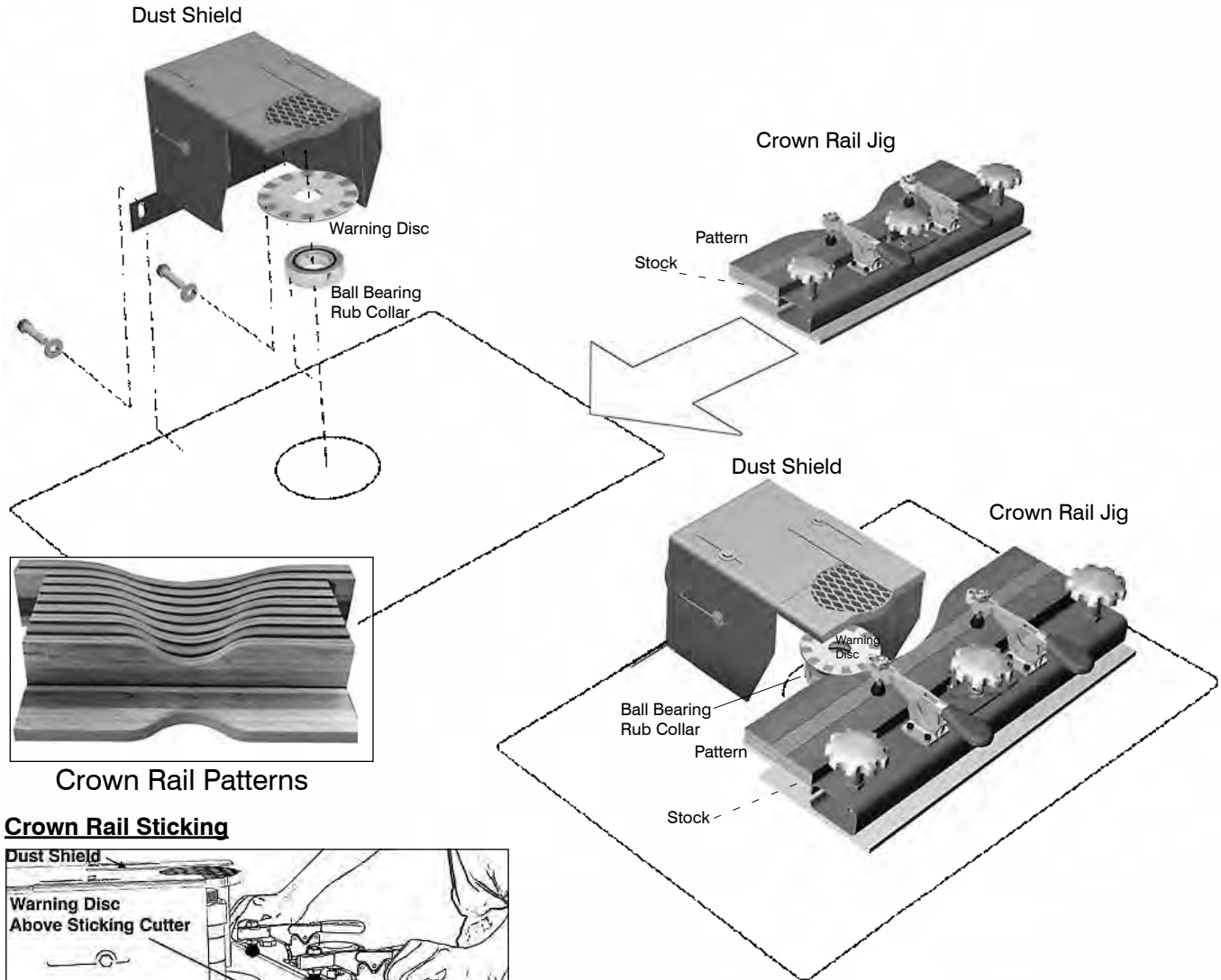
Manual Setup



Crown Rail Sticking Setup - Manual Jig - For Weaver Shapers

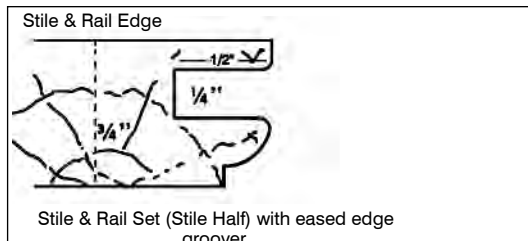
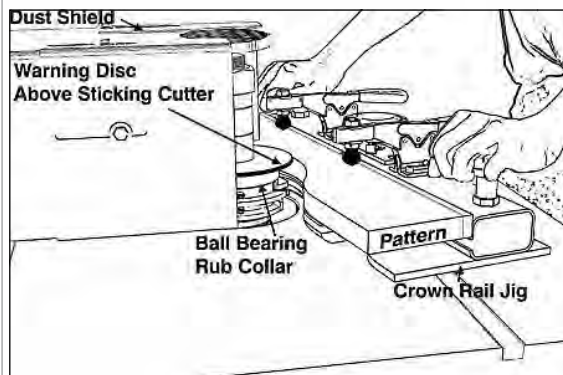
Item#	Description	Price
BBRC	Ball Bearing Rub Collar	107
PA427	Hardwood Patterns 1-1/2" Crown Rail	318
JM330	Crown Rail Jig	558
DS455	Dust Shield for Curved & Straight Rail	239
WD	Warning Disc	42

		\$1,264



Crown Rail Patterns

Crown Rail Sticking



Stile & Rail Set (Stile Half) with eased edge groove.

Top Rail needs to be rough band sawed (approx. 1/8" larger than finished rail) before crown rail sticking.

MANUFACTURED IN U.S.A.

Notes

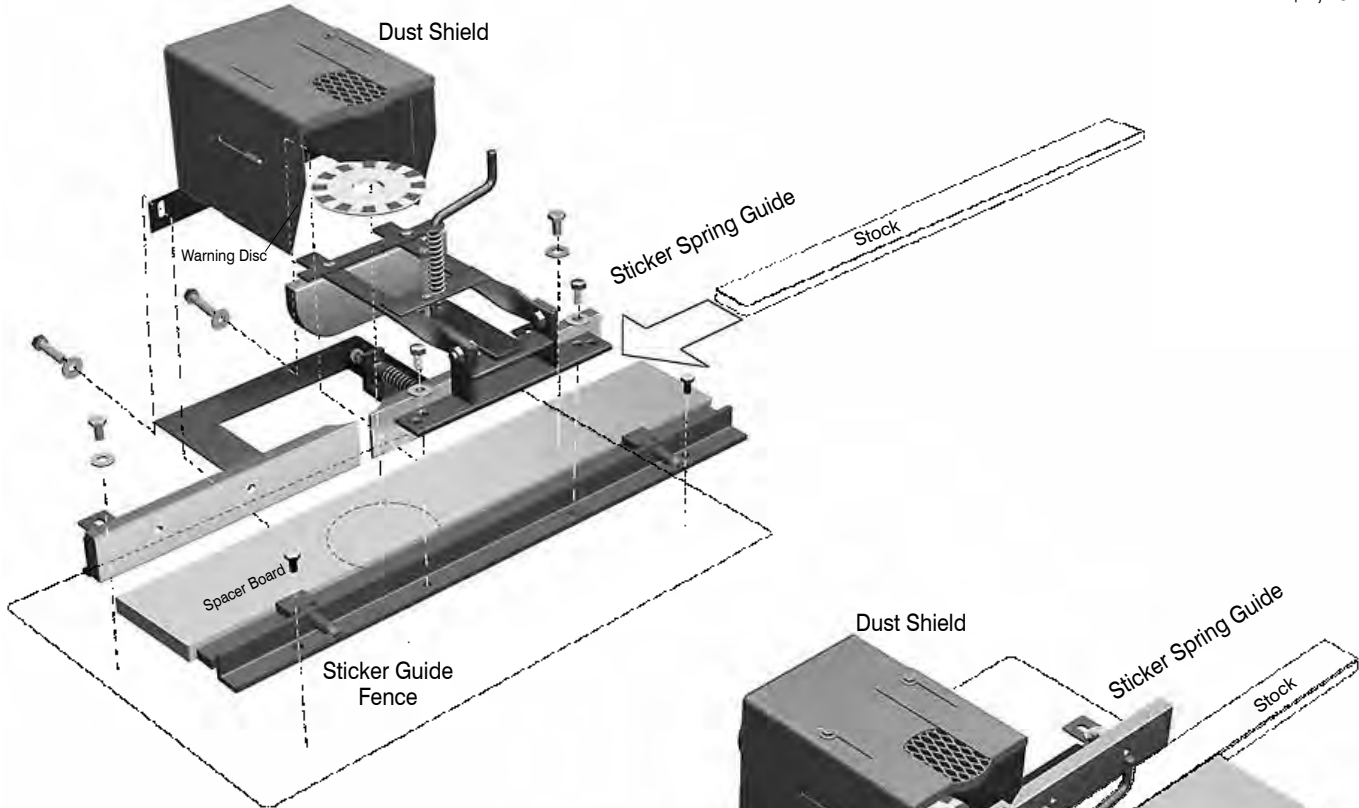
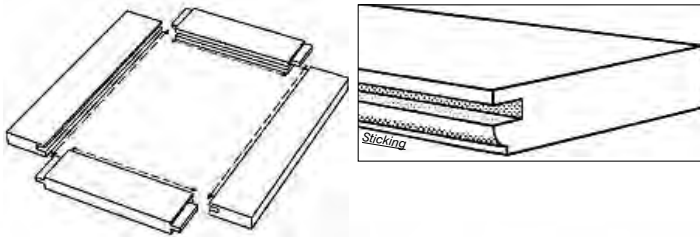
Straight Stile & Rail Sticking

Sticker Guide & Fence with Hold Down

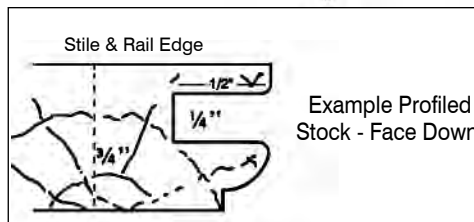
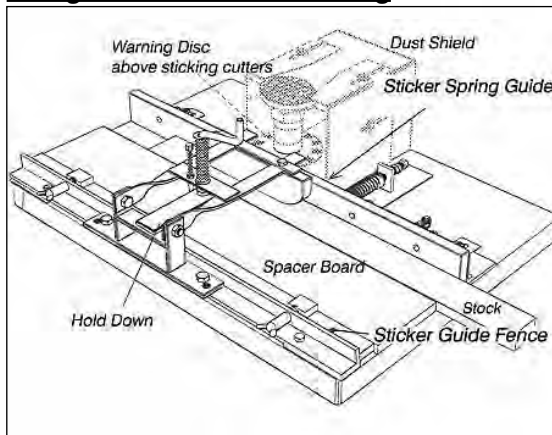
Straight Sticking Setup - For Weaver Shaper - Guide & Fence

Item#	Description	Price
FE211	Sticker Spring Guide	395
FE213H	Sticker Guide Fence with Hold Down	431
DS455	Dust Shield	239
WD	Warning Disc	42

		\$1,107



Straight Stile and Rail Sticking



MANUFACTURED IN U.S.A.

Phone 1-913-831-1800

CALL TOLL FREE 1-800-255-6214

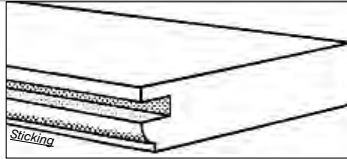
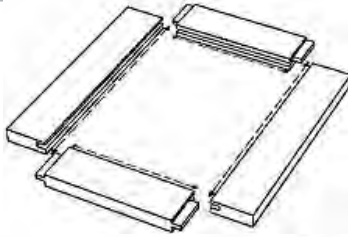
Fax 1-913-831-2974

WEAVER

Straight Stile & Rail Sticking

Sticker Guide & Fence with Power Feeder

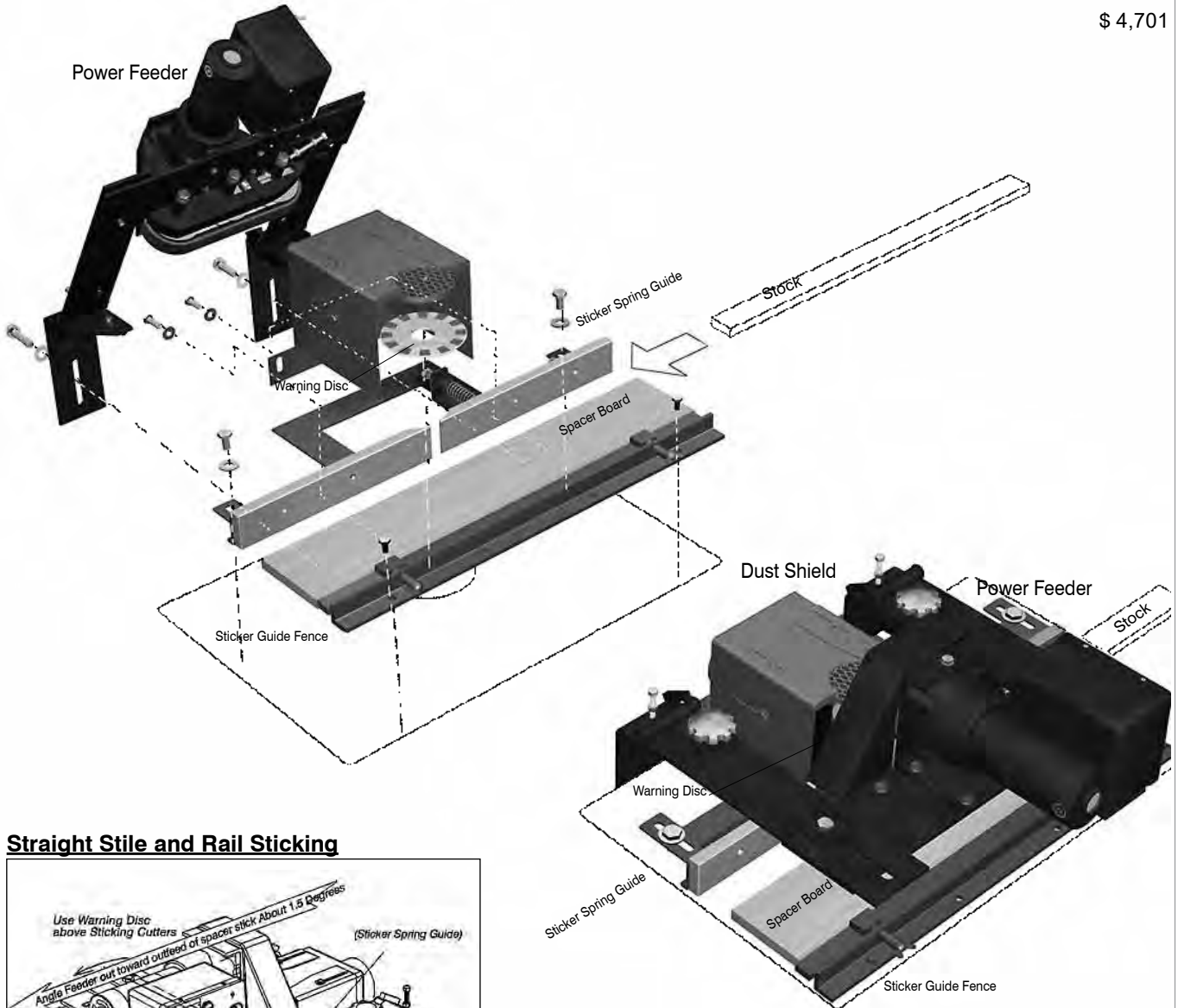
Shaper Essentials™
FOR WEAVER SHAPERS



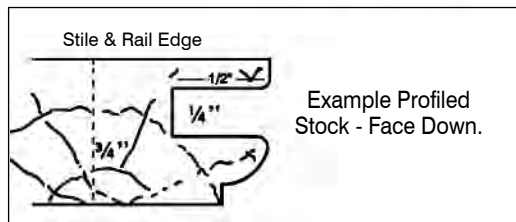
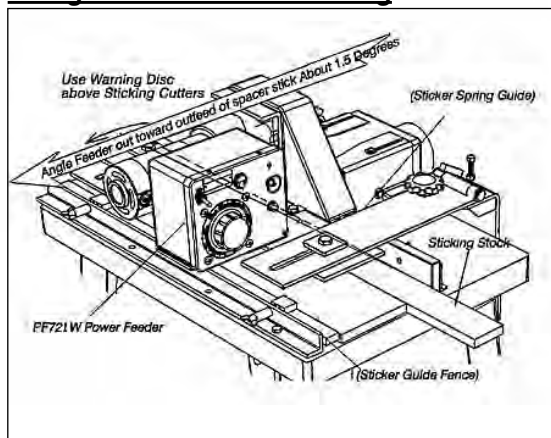
Straight Sticking Setup - For Weaver Shaper - Guide & Fence

Item#	Description	Price
FE211	Sticker Spring Guide	395
FE213H	Sticker Guide Fence with Hold Down	431
PF721W	Weaver Variable Speed Power Feeder	3,594
DS450	Dust Shield	239
WD	Warning Disc	42

\$ 4,701



Straight Stile and Rail Sticking



MANUFACTURED IN U.S.A.

www.weaver-company.com

Phone 1-913-831-1800

CALL TOLL FREE 1-800-255-6214

Fax 1-913-831-2974

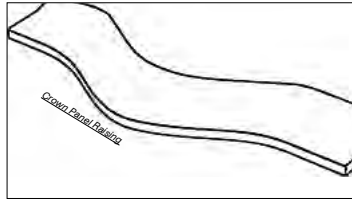
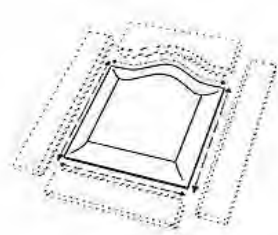
Copyright © 2022 all Rights Reserved

WEAVER COMPANY - 1108 SOUTH 37TH STREET - KANSAS CITY, KS 66106 USA

- 67 -

Panel Raising

Single Raise with Hold Down

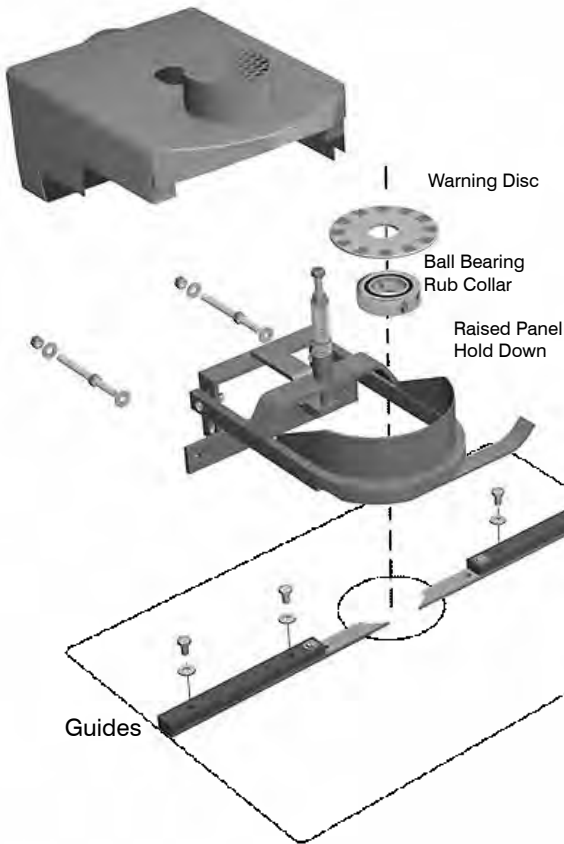


Panel Raising Setup - Single Raise with Hold Down - For Weaver Shaper

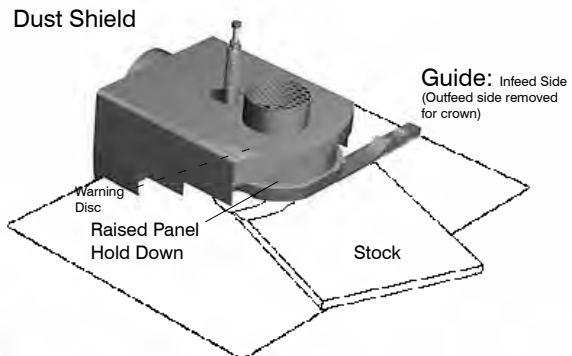
Item#	Description	Price
FE20	Raised Panel Guides	251
HD3100	Raised Panel Hold Down	419
DS465	Dust Shield for Raised Panel	359
BBRC	Ball Bearing Rub Collar	107
WD	Warning Disc	47

		\$1,183

Dust Shield



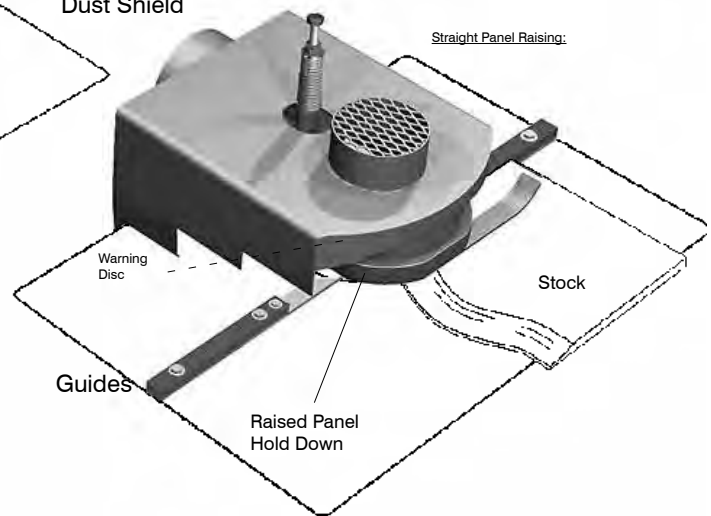
Crown Panel Raising:



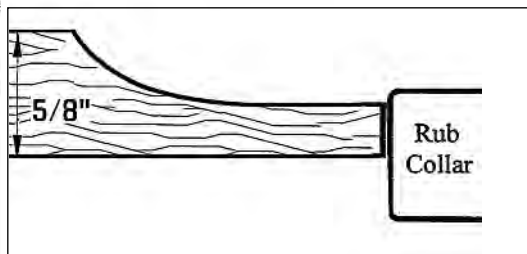
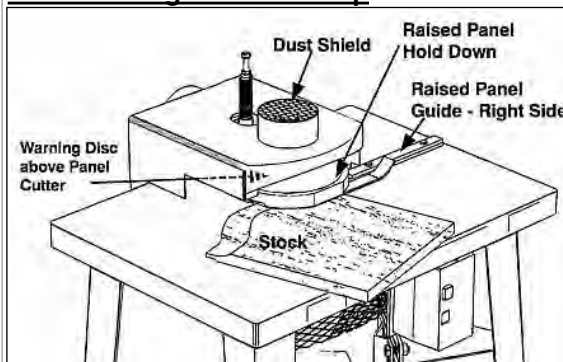
Guide: Infeed Side
(Outfeed side removed for crown)

Dust Shield

Straight Panel Raising:



Panel Raising - Crown Setup



MANUFACTURED IN U.S.A.

Phone 1-913-831-1800

CALL TOLL FREE 1-800-255-6214

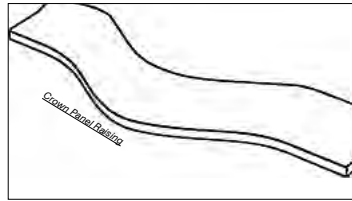
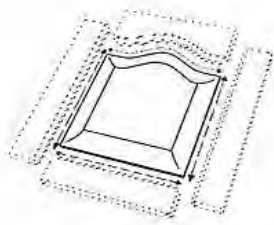
Fax 1-913-831-2974

WEAVER

Panel Raising

Shaper Essentials™
FOR WEAVER SHAPERS

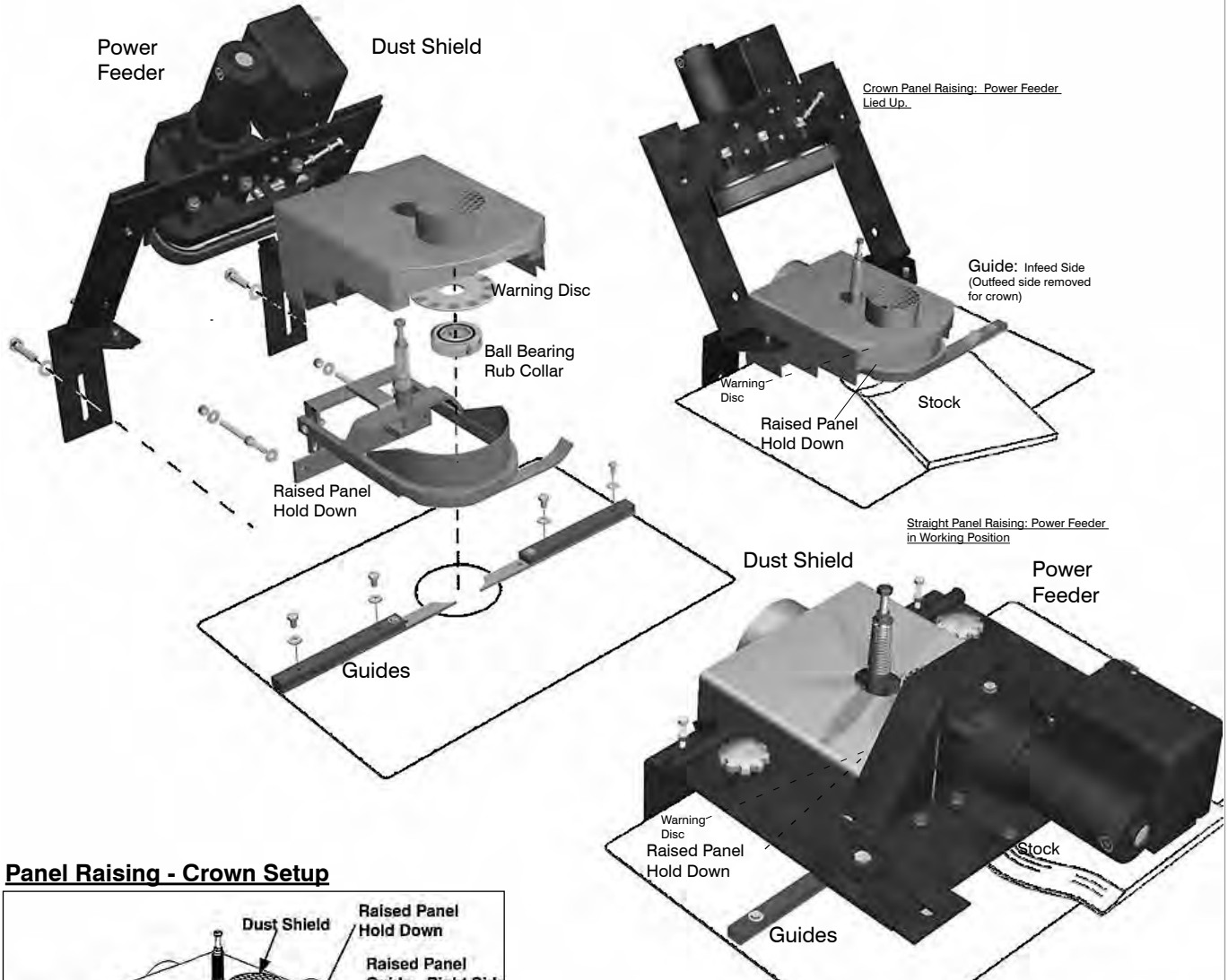
Single Raise with Hold Down & Power Feeder



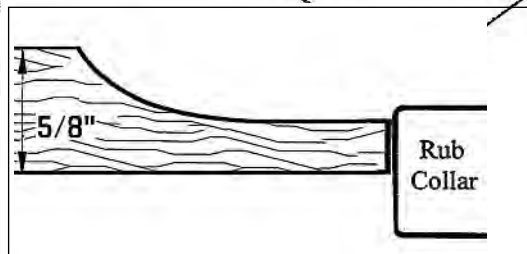
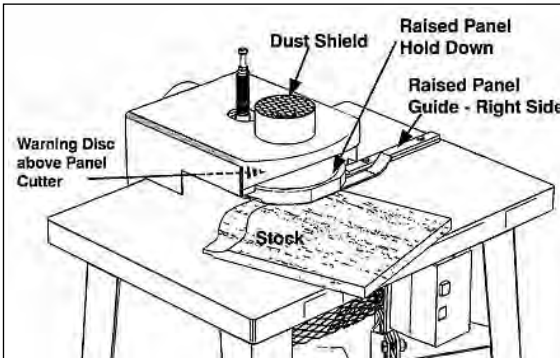
Panel Raising Setup - Single Raise with Hold Down - For Weaver Shaper

Item#	Description	Price
PF721W	Weaver Variable Speed Power Feeder	3,594
FE20	Raised Panel Guides	251
HD3100	Raised Panel Hold Down	419
DS465	Dust Shield for Raised Panel	359
BBRC	Ball Bearing Rub Collar	107
WD	Warning Disc	47

\$4,777



Panel Raising - Crown Setup



MANUFACTURED IN U.S.A.

www.weaver-company.com

Phone 1-913-831-1800

CALL TOLL FREE 1-800-255-6214

Fax 1-913-831-2974

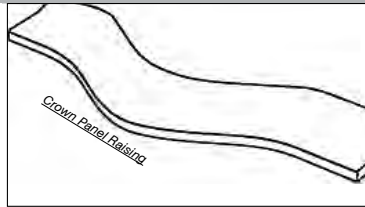
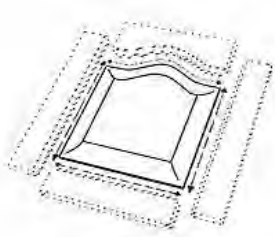
Copyright © 2022 all Rights Reserved

WEAVER COMPANY - 1108 SOUTH 37TH STREET - KANSAS CITY, KS 66106 USA

- 69 -

Panel Raising

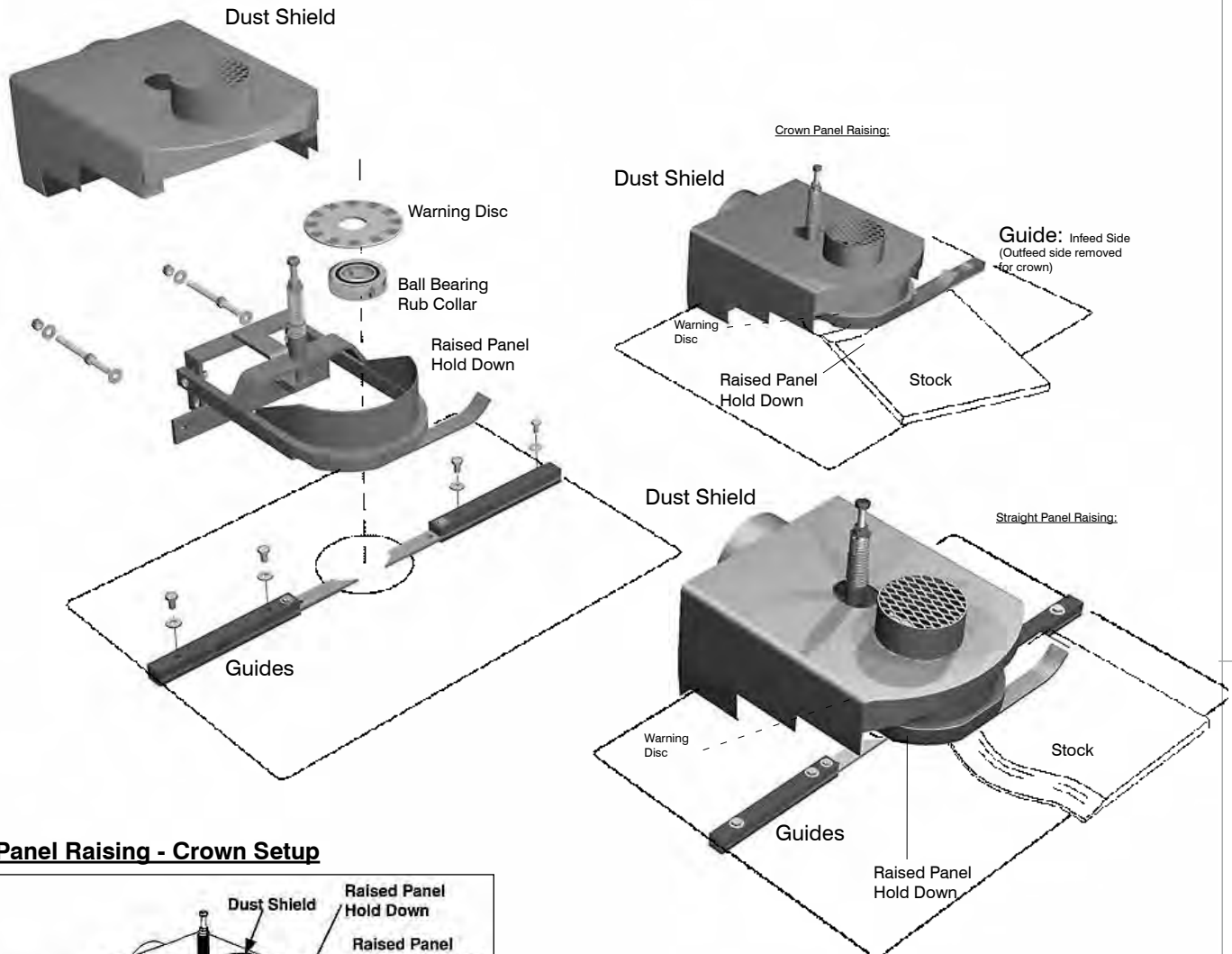
Partial Offset with Hold Down



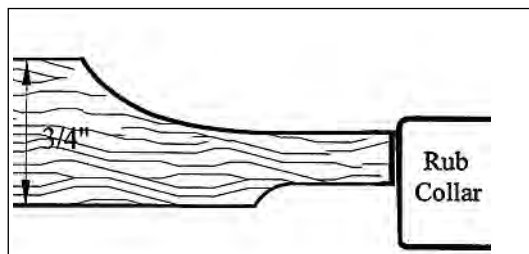
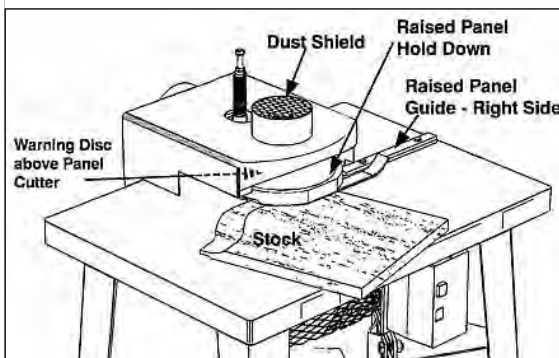
Panel Raising Setup - Partial Offset with Hold Down - For Weaver Shaper

Item#	Description	Price
FE200	Offset Raised Panel Guides	299
HD3100	Raised Panel Hold Down	419
DS465	Dust Shield for Raised Panel	359
BBRC	Ball Bearing Rub Collar	107
WD	Warning Disc	47

\$1,231



Panel Raising - Crown Setup



MANUFACTURED IN U.S.A.

www.weaver-company.com

Phone 1-913-831-1800

CALL TOLL FREE 1-800-255-6214

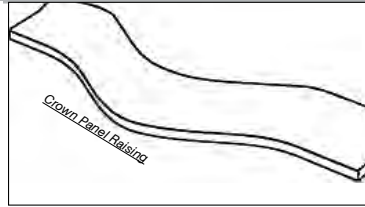
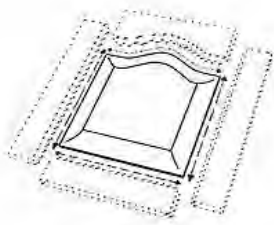
Fax 1-913-831-2974

WEAVER

Panel Raising

Shaper Essentials™
FOR WEAVER SHAPERS

Partial Offset with Hold Down & Power Feeder

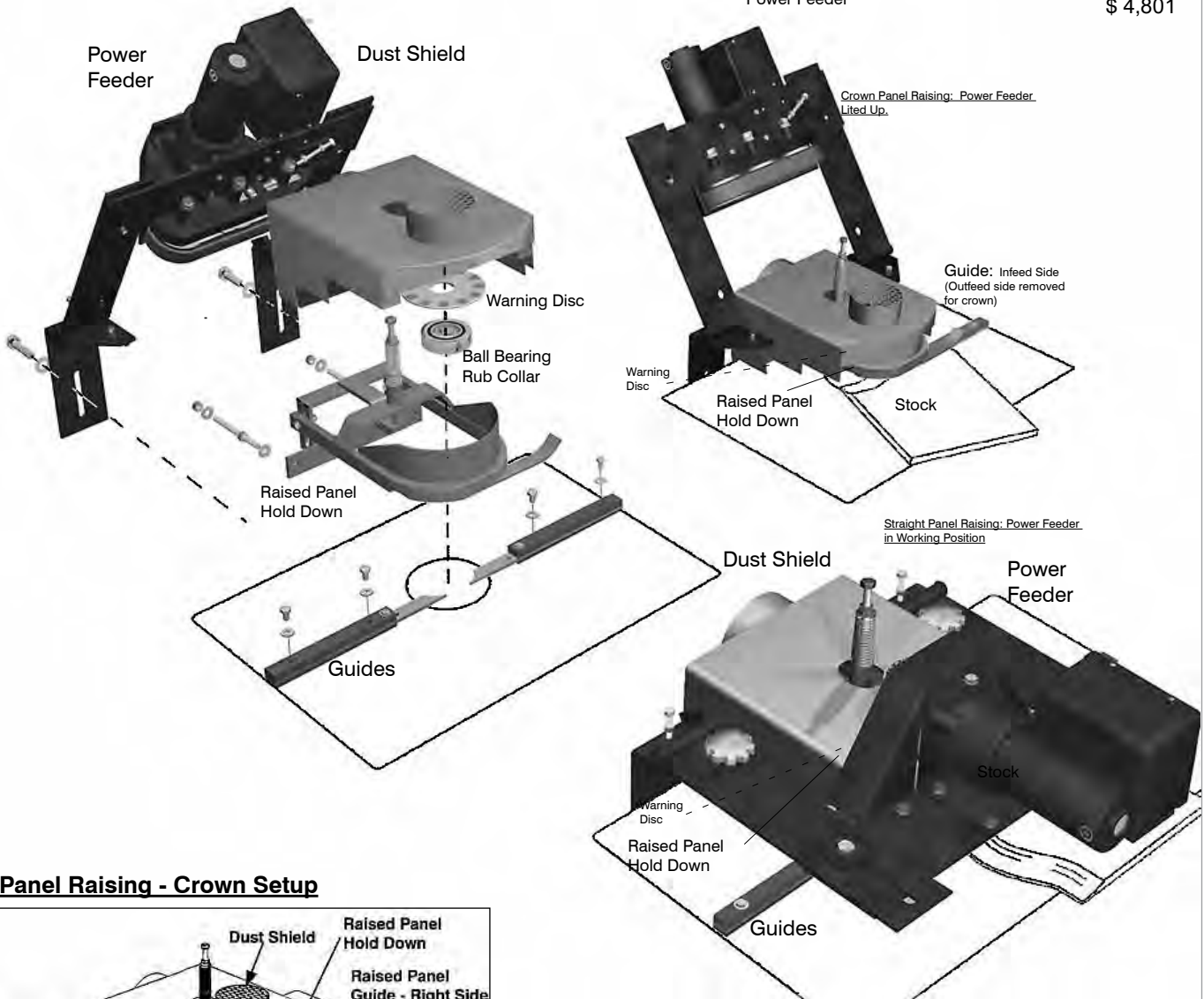


Panel Raising Setup - Partial Offset with Hold Down - For Weaver Shaper

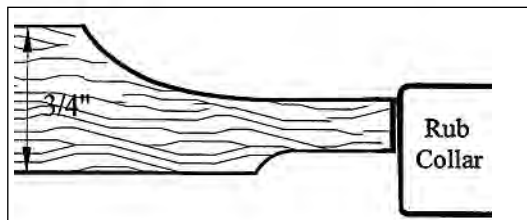
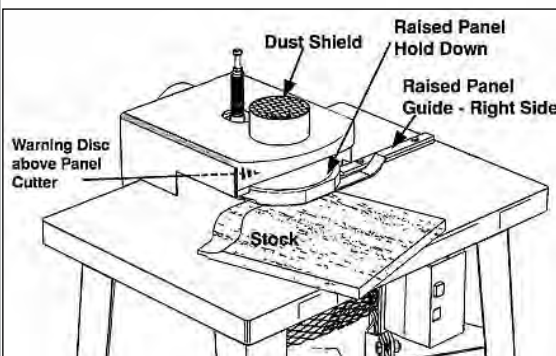
Item#	Description	Price
PF721W	Weaver Variable Speed Power Feeder	3,594
FE200	Offset Raised Panel Guides	299
HD3100	Raised Panel Hold Down	395
DS465	Dust Shield for Raised Panel	359
BBRC	Ball Bearing Rub Collar	107
WD	Warning Disc	47

Power Feeder

\$ 4,801



Panel Raising - Crown Setup



MANUFACTURED IN U.S.A.

www.weaver-company.com

Phone 1-913-831-1800

CALL TOLL FREE 1-800-255-6214

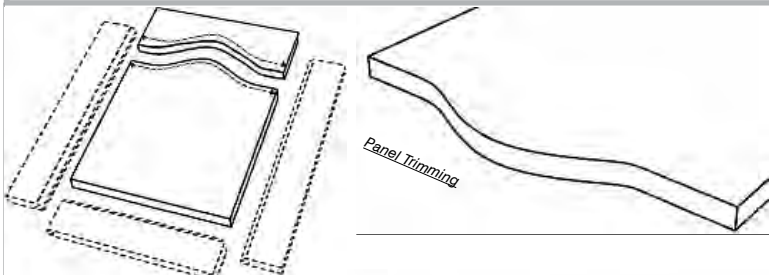
Fax 1-913-831-2974

Copyright © 2022 all Rights Reserved

WEAVER COMPANY - 1108 SOUTH 37TH STREET - KANSAS CITY, KS 66106 USA

- 71 -

Shapermaster™ Air Jig - Dead Collar

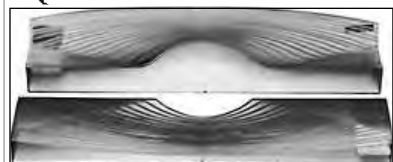
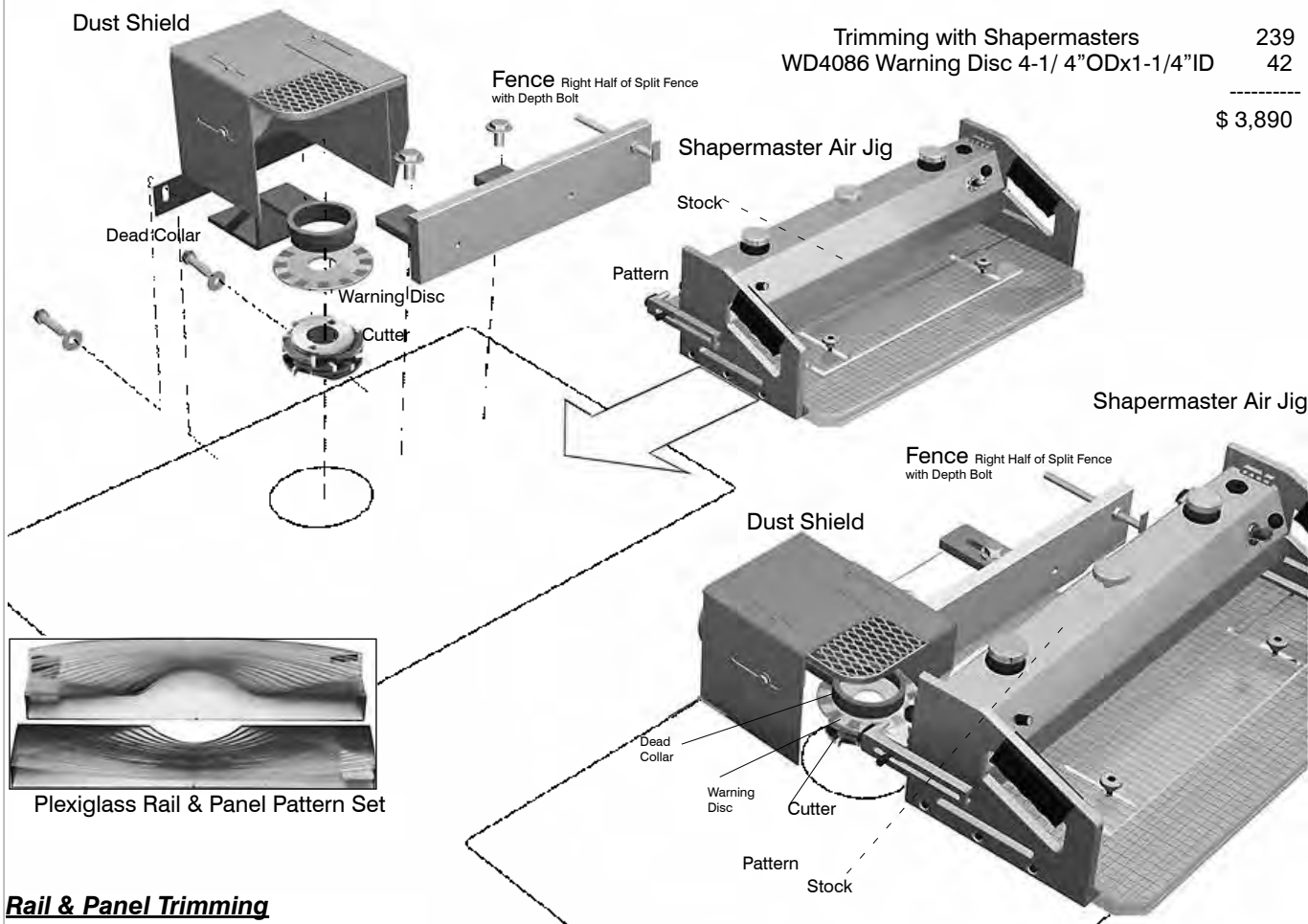


Rail & Panel Trimming Setup - Air Jig - For Weaver Shaper

Item#	Description	Price
AJ2402	Shapermaster 24" x 12"	2,394
PA2417	Plexiglass Patterns - 1-1/2" Crown Rail & Panel	455
FRE9936V	Trimming Cutter (stacked square edge)	438
DC	Double OD Trimming Dead Collar	179
FE77	Right Half of Split Fence with Depth Bolt	143
DS470	Dust Shield for Rail & Panel	

Trimming with Shapermasters 239
WD4086 Warning Disc 4-1/4"ODx1-1/4"ID 42

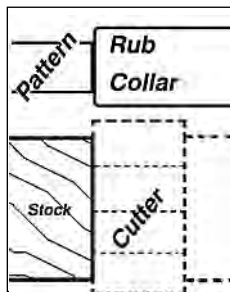
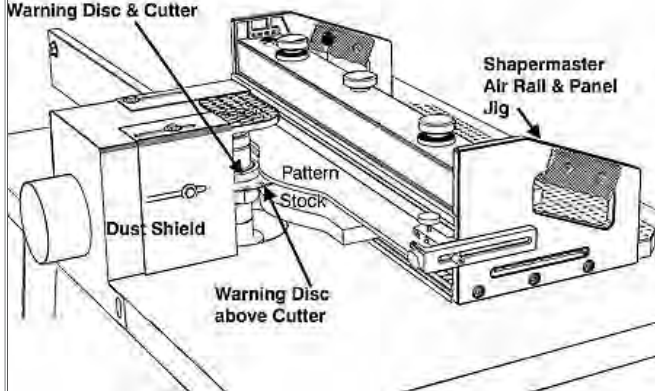
\$ 3,890



Plexiglass Rail & Panel Pattern Set

Rail & Panel Trimming

Rub Collar above
Warning Disc & Cutter



MANUFACTURED IN U.S.A.

www.weaver-company.com

Phone 1-913-831-1800

CALL TOLL FREE 1-800-255-6214

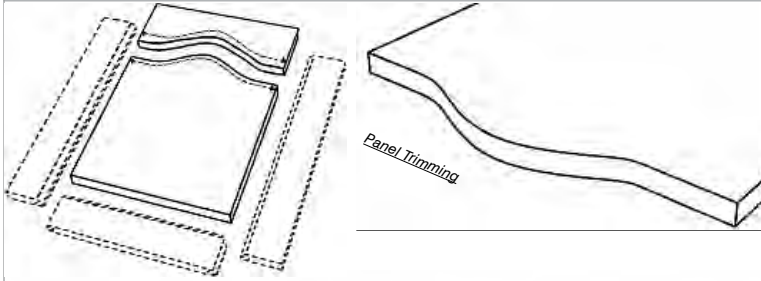
Fax 1-913-831-2974

WEAVER

Crown Rail & Panel Trimming

Shapermaster™ Air Jig - Bearing

Shaper Essentials™
FOR WEAVER SHAPERS



Rail & Panel Trimming Setup - Air Jig - For Weaver Shaper

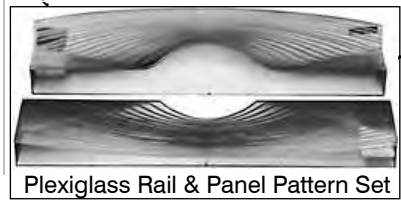
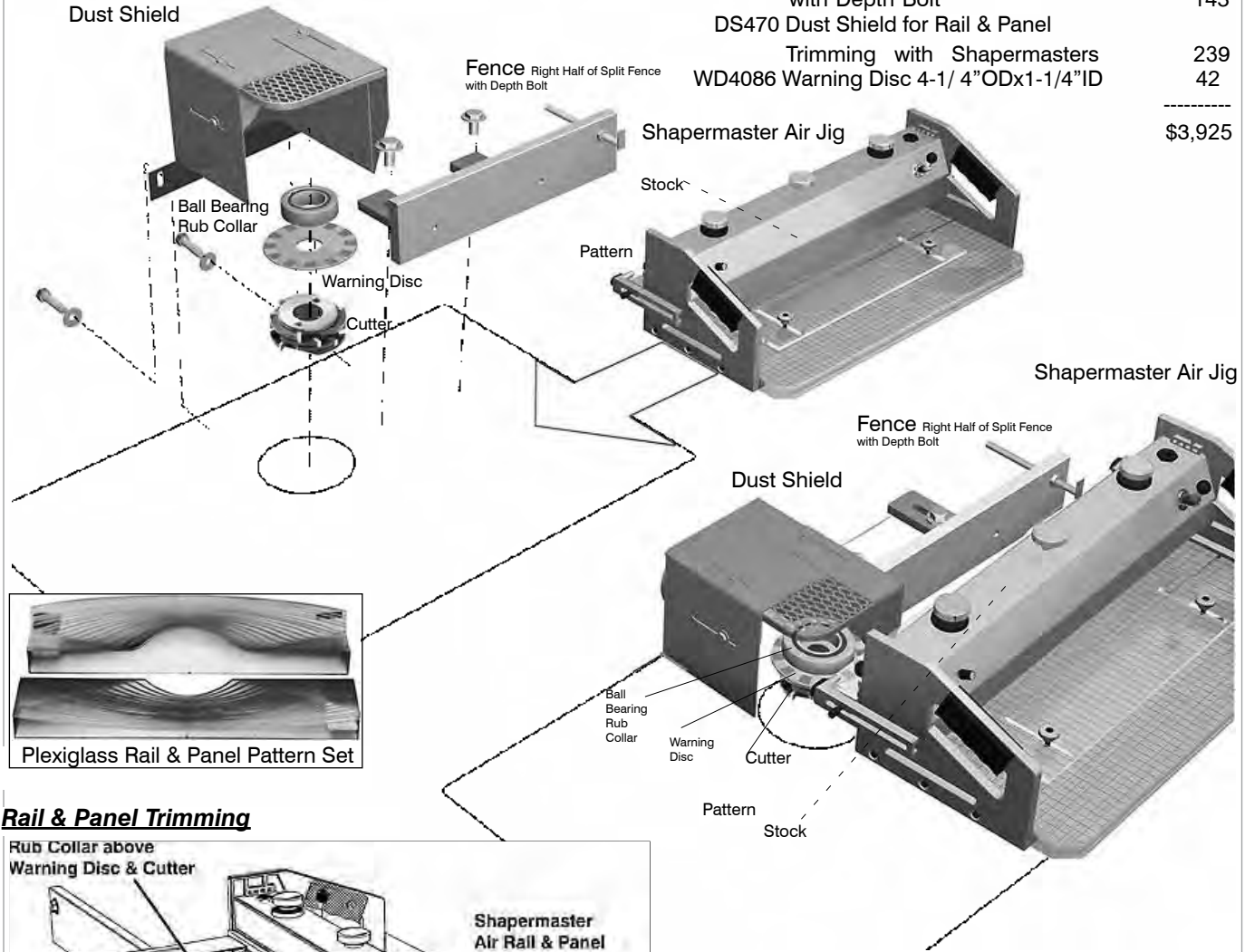
Item#	Description	Price
AJ2402	Shapermaster 24" x 12"	2,394
PA2417	Plexiglass Patterns - 1-1/2" Crown Rail & Panel	455
C9936V	Trimming Cutter (stacked square edge)	438
BB3146	Ball Bearing Rub Collar 3-7/16" x 1-1/4" Rail	107
BB3126	Ball Bearing Rub Collar 3-3/8" x 1-1/4" Panel	107
FE77	Right Half of Split Fence with Depth Bolt	143
DS470	Dust Shield for Rail & Panel Trimming with Shapermasters	239
WD4086	Warning Disc 4-1/4"ODx1-1/4"ID	42

Dust Shield

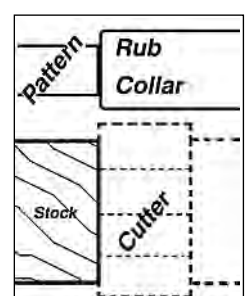
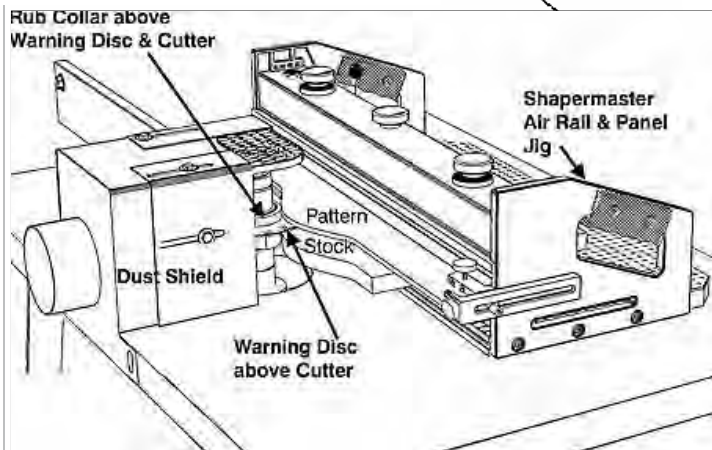
Fence Right Half of Split Fence
with Depth Bolt

Shapermaster Air Jig

\$3,925



Rail & Panel Trimming



MANUFACTURED IN U.S.A.

www.weaver-company.com

Phone 1-913-831-1800

CALL TOLL FREE 1-800-255-6214

Fax 1-913-831-2974

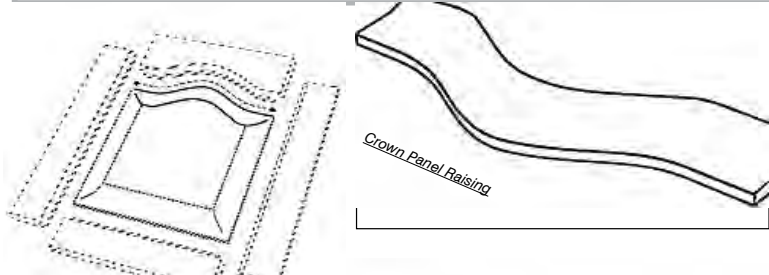
Copyright © 2022 all Rights Reserved

WEAVER COMPANY - 1108 SOUTH 37TH STREET - KANSAS CITY, KS 66106 USA

- 73 -

Crown Panel Raising

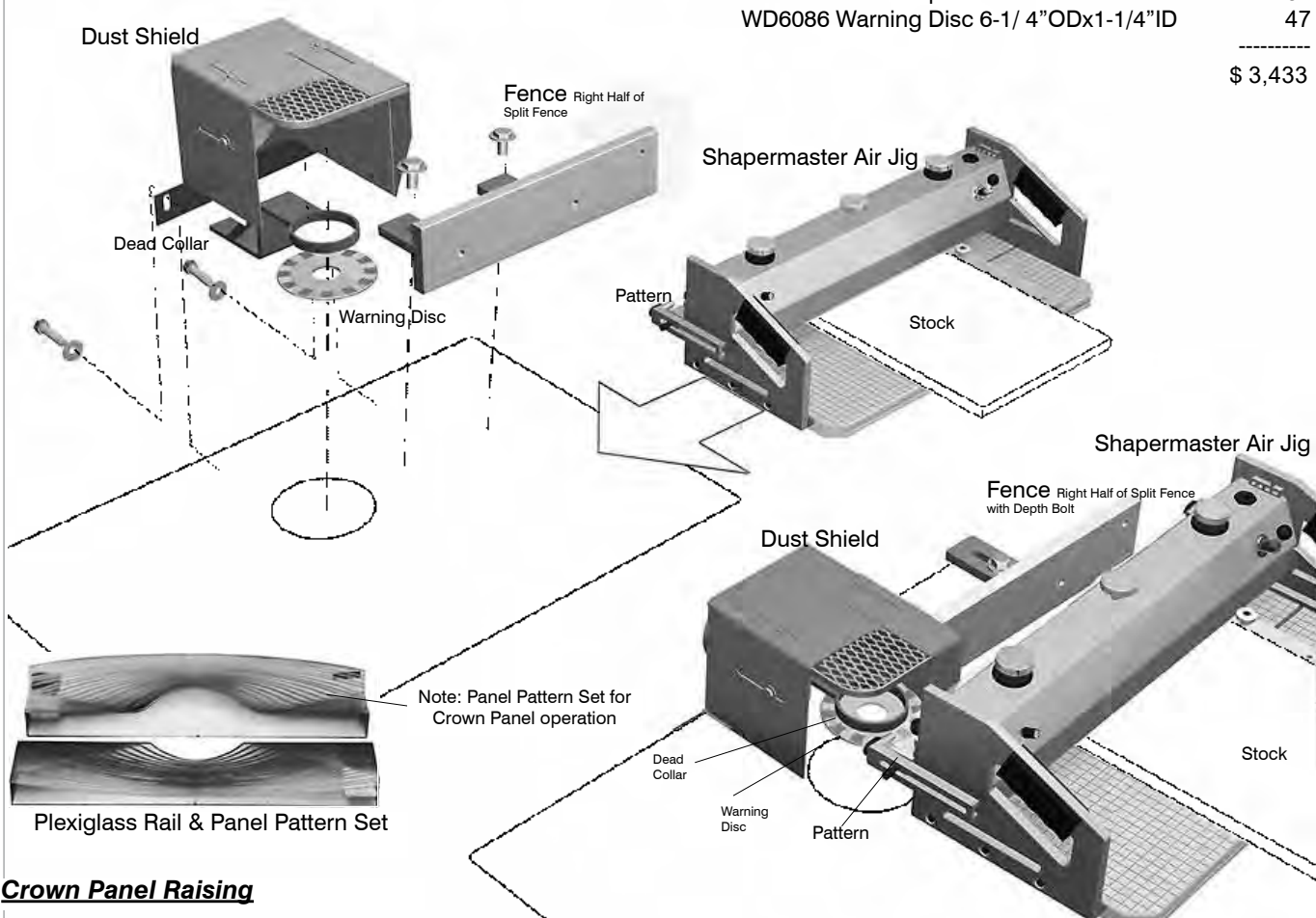
Shapermaster™ Air Jig - Dead Collar



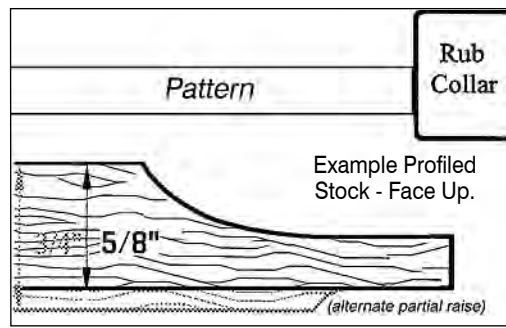
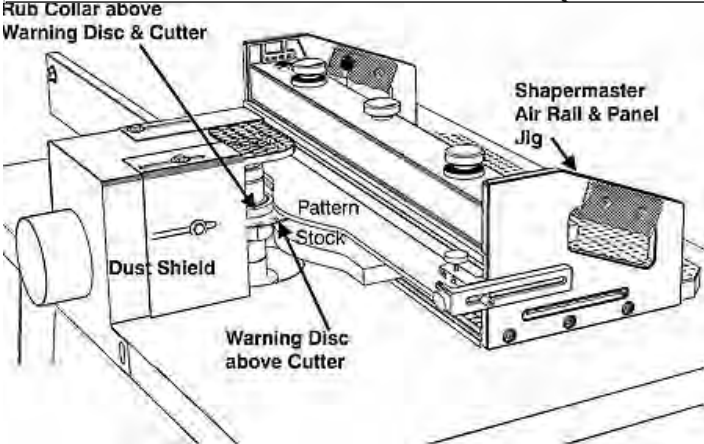
Crown Panel Raising Setup - Air Jig - For Weaver Shaper

Item#	Description	Price
AJ2402	Shapermaster 24" x 12"	2,394
PA2417	Plexiglass Patterns - 1-1/2" Crown Rail & Panel	455
DC	Dead Collar	155
FE78	Right Half of Split Fence	143
DS470	Dust Shield for Rail & Panel with Shapermasters	239
WD6086	Warning Disc 6-1/4"ODx1-1/4"ID	47

		\$ 3,433



Crown Panel Raising



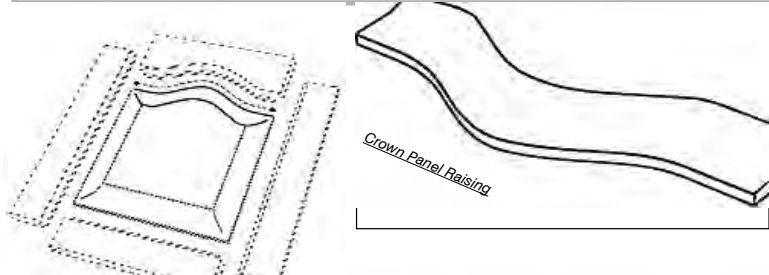
MANUFACTURED IN U.S.A.

WEAVER

Crown Panel Raising

Shapermaster™ Air Jig - Bearing

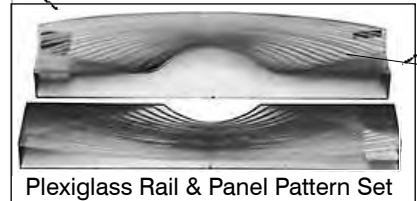
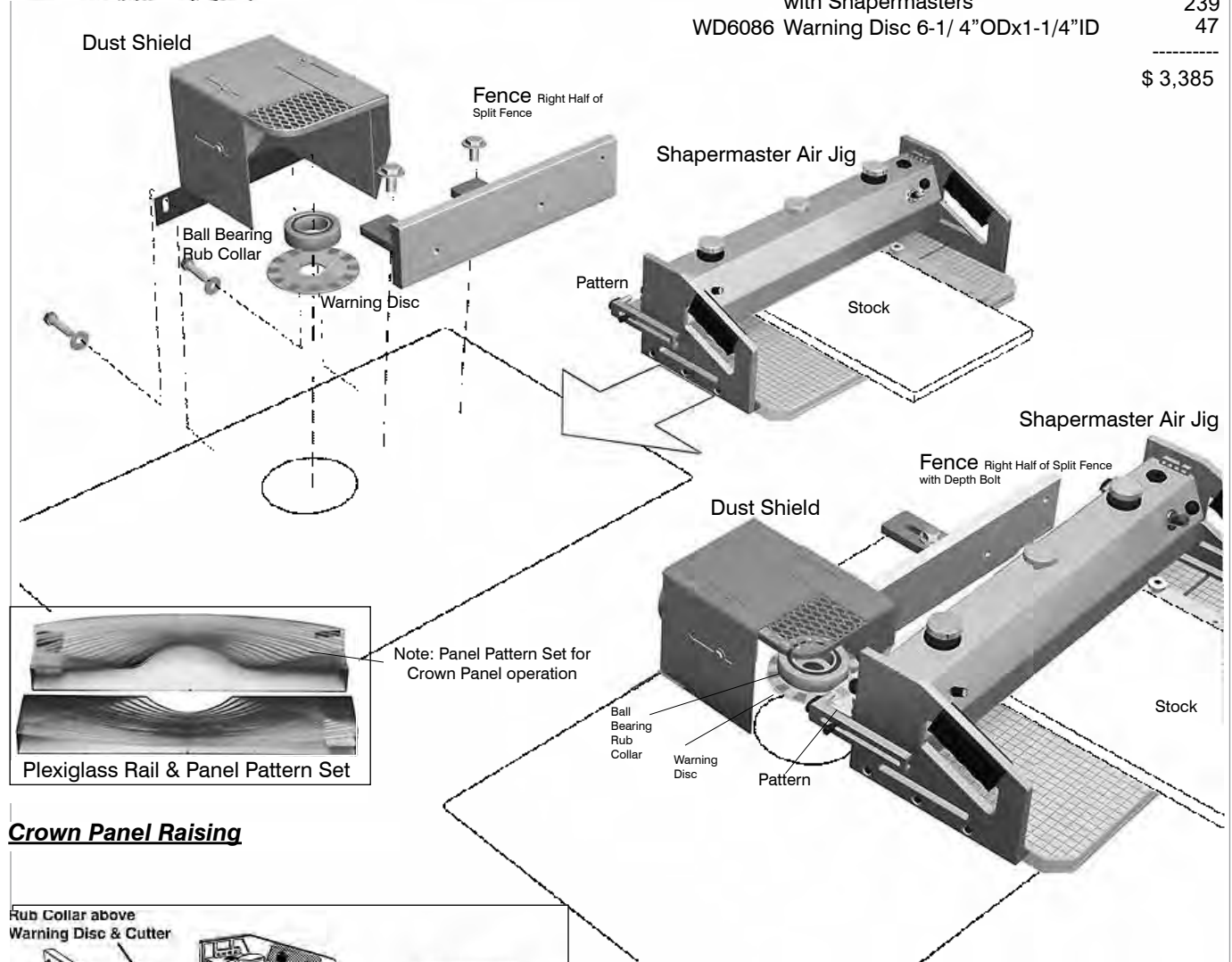
Shaper Essentials™
FOR WEAVER SHAPERS



Crown Panel Raising Setup - Air Jig - For Weaver Shaper

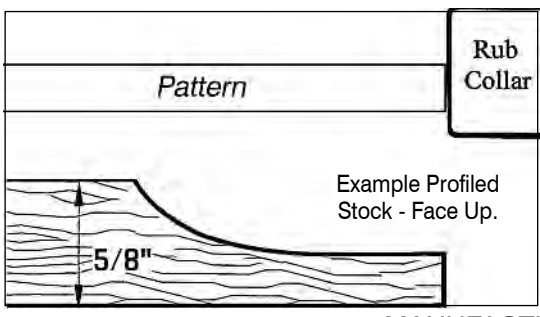
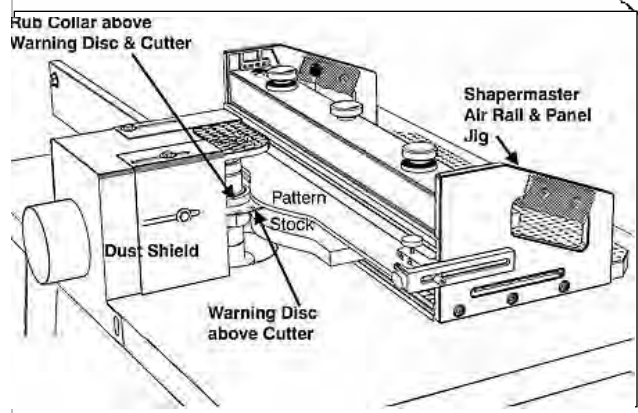
Item#	Description	Price
AJ2402	Shapermaster 24" x 12"	2,394
PA2417	Plexiglass Patterns - 1-1/2" Crown Rail & Panel	455
BBRC	Ball Bearing Rub Collar	107
FE78	Right Half of Split Fence	143
DS470	Dust Shield for Rail & Panel with Shapermasters	239
WD6086	Warning Disc 6-1/4"ODx1-1/4"ID	47

		\$ 3,385



Note: Panel Pattern Set for Crown Panel operation

Crown Panel Raising

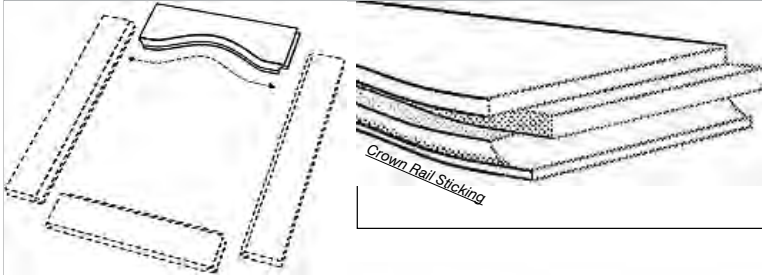


MANUFACTURED IN U.S.A.

Phone 1-913-831-1800 **CALL TOLL FREE 1-800-255-6214** Fax 1-913-831-2974
 Copyright © 2022 all Rights Reserved WEAVER COMPANY - 1108 SOUTH 37TH STREET - KANSAS CITY, KS 66106 USA - 75 -

Crown Rail Sticking

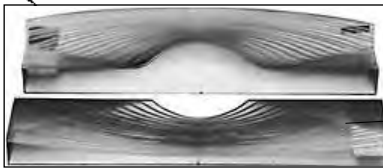
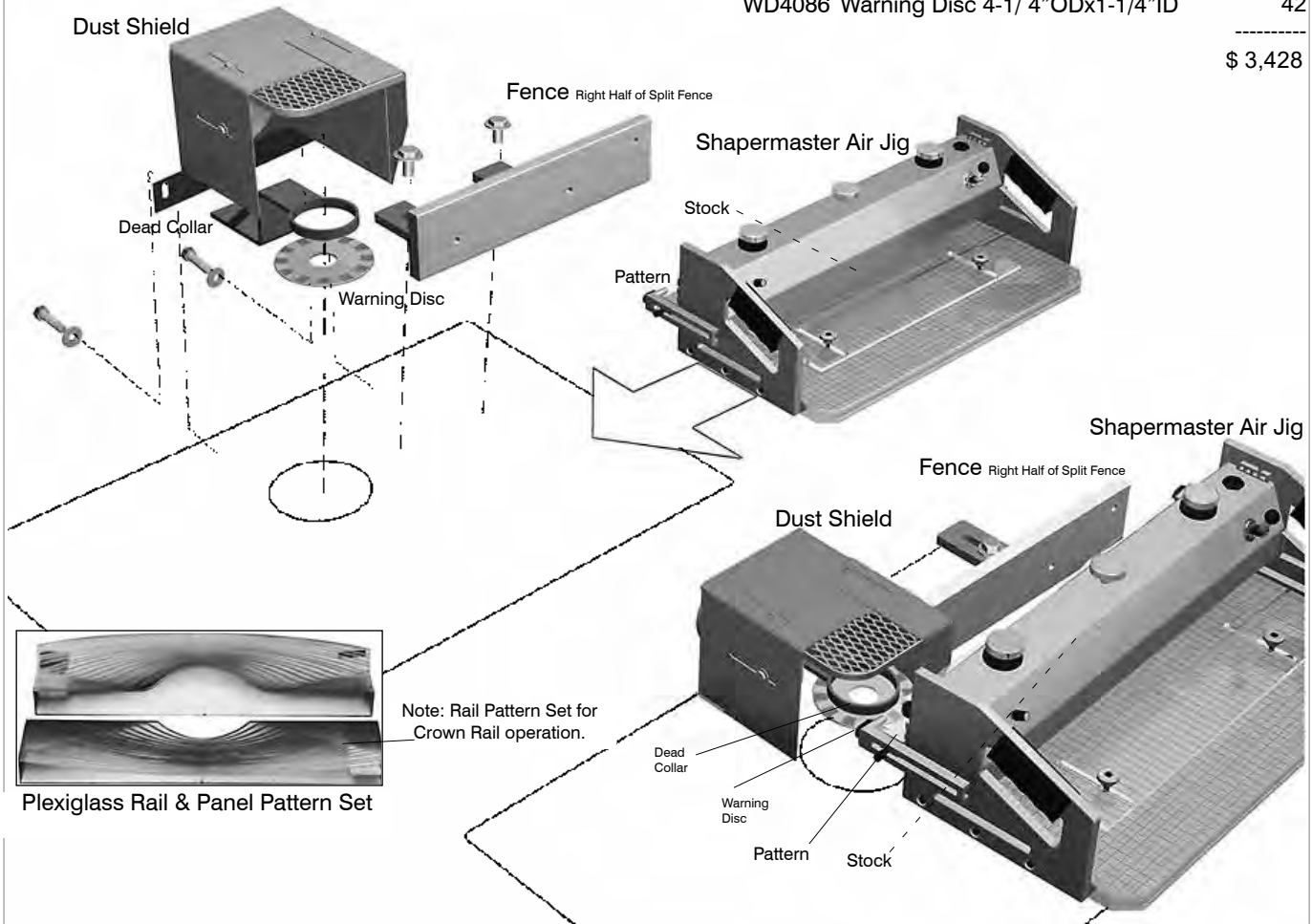
Shapermaster™ Air Jig - Dead Collar



**Crown Rail Sticking Setup -
Air Jig - For Weaver Shaper**

Item#	Description	Price
AJ2402	Shapermaster 24" x 12"	2,394
PA2417	Plexiglass Patterns - 1-1/2" Crown Rail & Panel	455
	DC Dead Collar	155
	FE78 Right Half of Split Fence	143
	DS470 Dust Shield for Rail & Panel with Shapermasters	239
	WD4086 Warning Disc 4-1/4"ODx1-1/4"ID	42

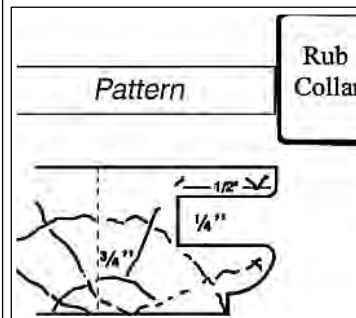
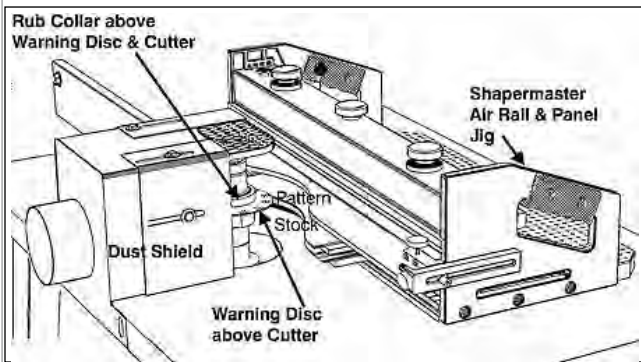
\$ 3,428



Plexiglass Rail & Panel Pattern Set

Note: Rail Pattern Set for Crown Rail operation.

Crown Rail Sticking



MANUFACTURED IN U.S.A.

Phone 1-913-831-1800

CALL TOLL FREE 1-800-255-6214

Fax 1-913-831-2974

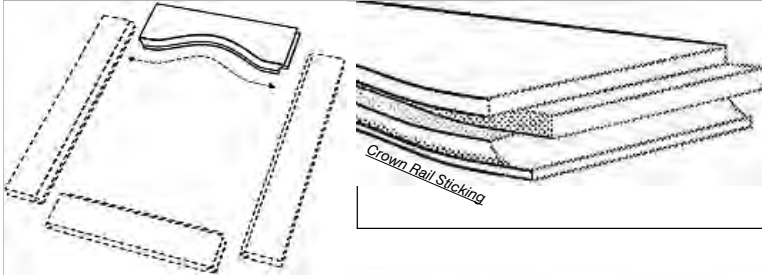
www.weaver-company.com

WEAVER

Crown Rail Sticking

Shapermaster™ Air Jig - Bearing

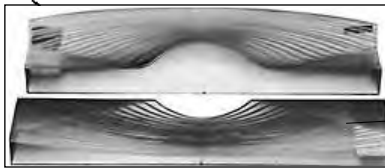
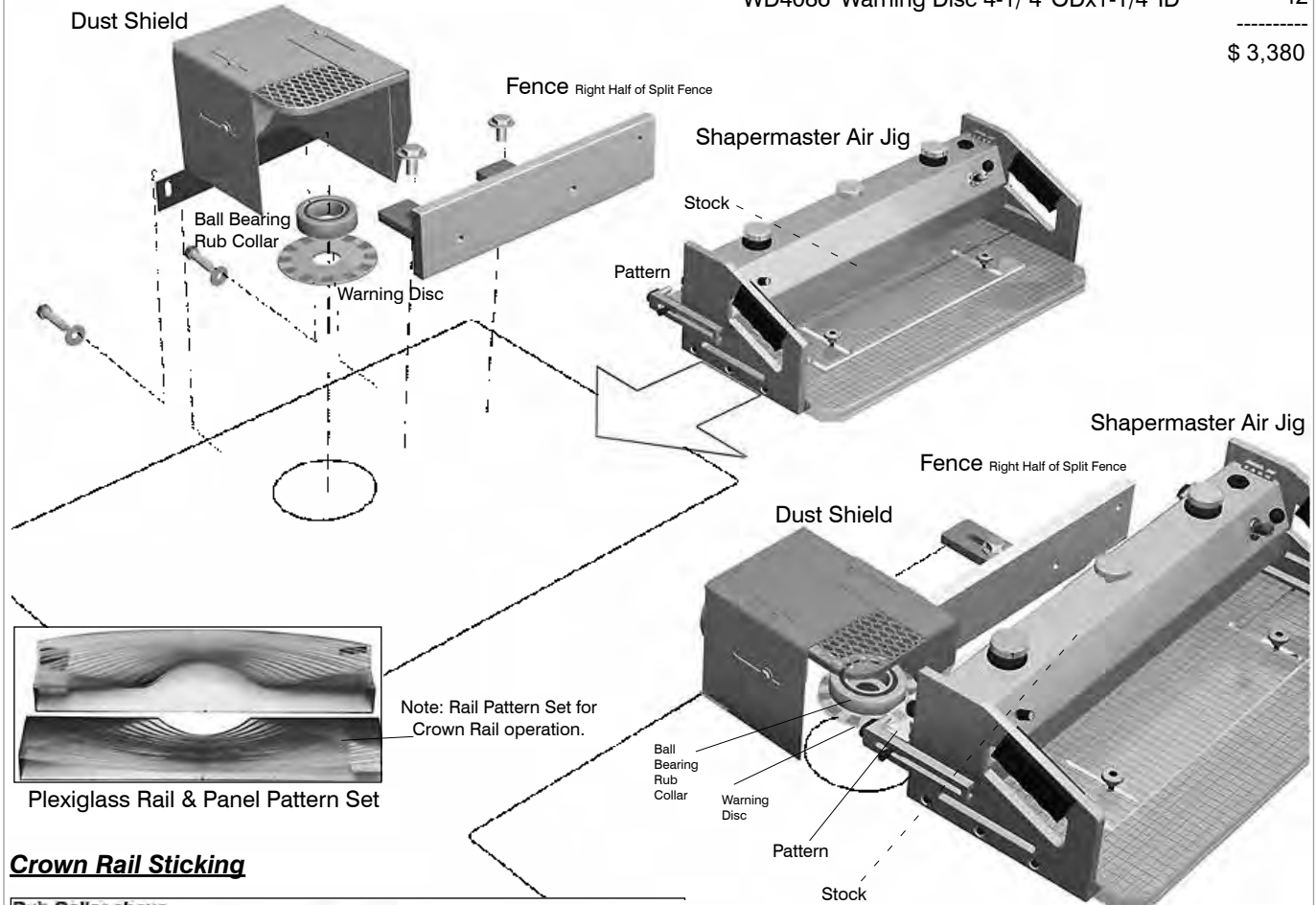
Shaper Essentials™
FOR WEAVER SHAPERS



Crown Rail Sticking Setup - Air Jig - For Weaver Shaper

Item#	Description	Price
AJ2402	Shapermaster 24" x 12"	2,394
PA2417	Plexiglass Patterns - 1-1/2" Crown Rail & Panel	455
BBRC	Ball Bearing Rub Collar	107
FE78	Right Half of Split Fence	143
DS470	Dust Shield for Rail & Panel with Shapermasters	239
WD4086	Warning Disc 4-1/4"ODx1-1/4"ID	42

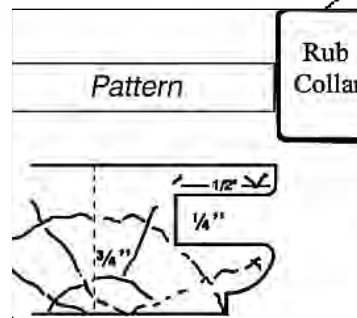
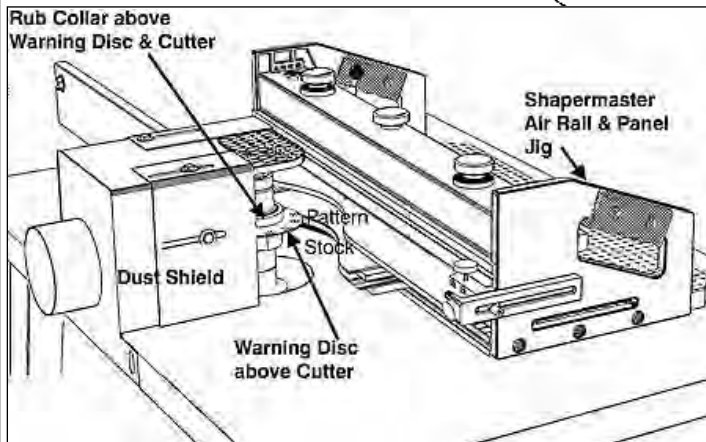
\$ 3,380



Plexiglass Rail & Panel Pattern Set

Note: Rail Pattern Set for Crown Rail operation.

Crown Rail Sticking



Example Profiled Stock - Face Down.

MANUFACTURED IN U.S.A.

Phone 1-913-831-1800

CALL TOLL FREE 1-800-255-6214

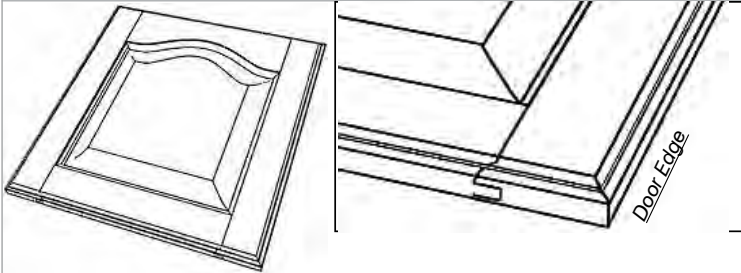
Fax 1-913-831-2974

Copyright © 2022 all Rights Reserved

WEAVER COMPANY - 1108 SOUTH 37TH STREET - KANSAS CITY, KS 66106 USA

www.weaver-company.com

- 77 -

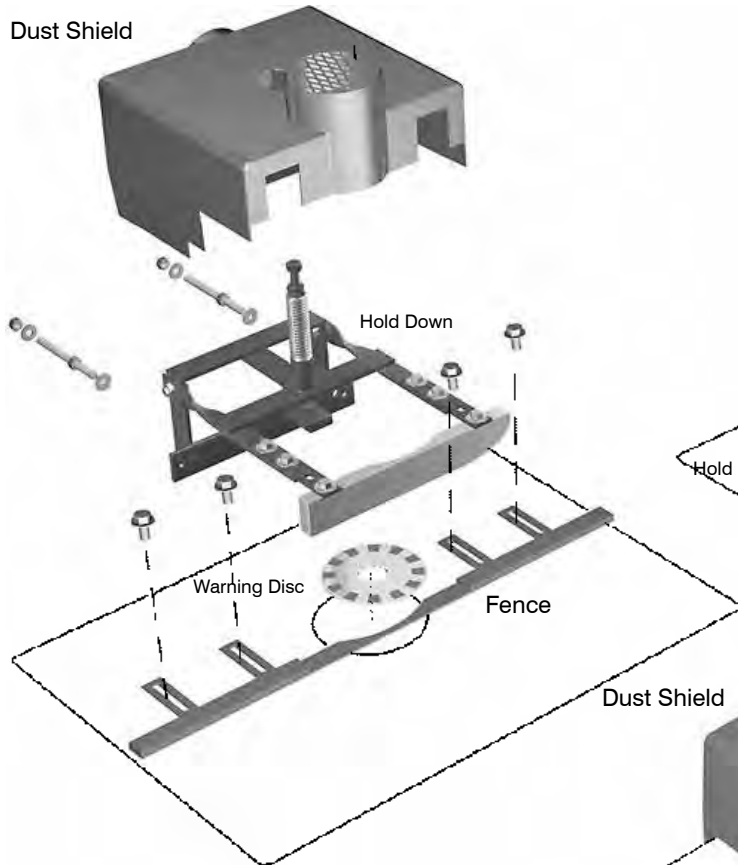


**Door Edge Setup - Continuous Fence -
For Weaver Shapers - (face up)**

Item#	Description	Price
FEDE	Continuous Door Edge Fence 40"	359
HD3150	General Hold Down	359
HD222	Drawer Ends Hold Down	359
DS480	Dust Shield for Door Edge	359
WD	Warning Disc	42

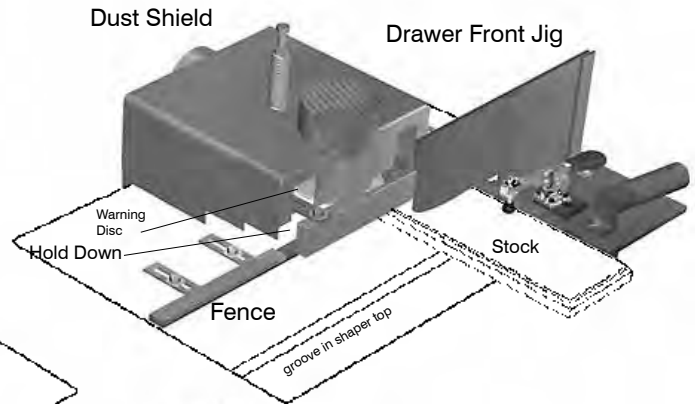
		\$1,478

Dust Shield

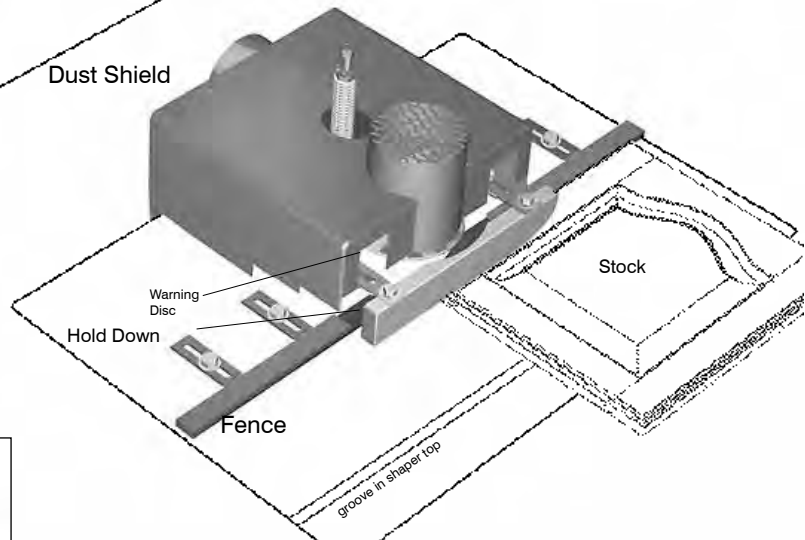


Dust Shield

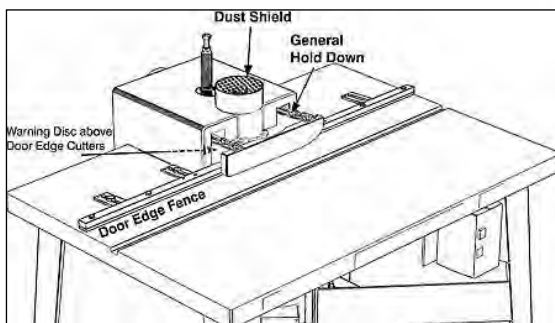
Drawer Front Jig



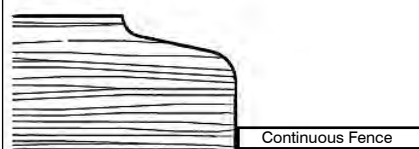
Dust Shield



Door Edge - Continuous Fence



3/4" material



MANUFACTURED IN U.S.A.

Phone 1-913-831-1800

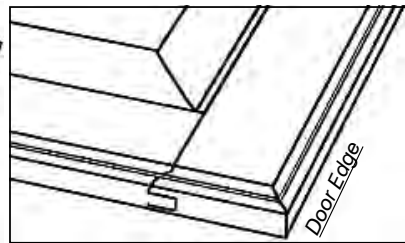
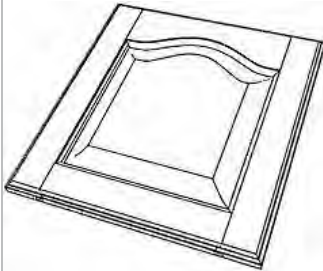
CALL TOLL FREE 1-800-255-6214

Fax 1-913-831-2974

WEAVER

**Door Edge
Split Fence**

**Shaper Essentials™
FOR WEAVER SHAPERS**

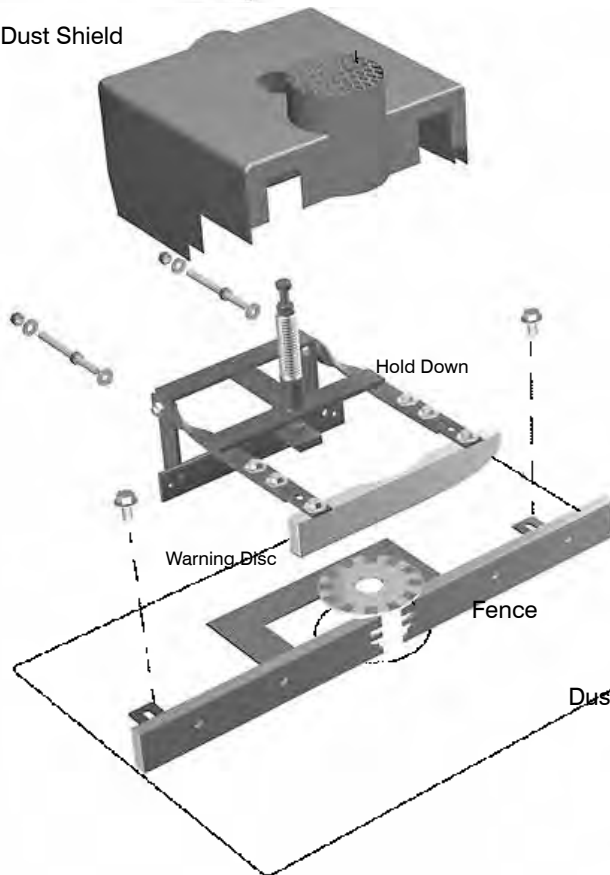


**Door Edge Setup - Split Fence -
For Weaver Shapers - (for full edge)**

Item#	Description	Price
FE5640	Split Door Edge Fence w/Dual Adj.	359
HD3150	General Hold Down	359
HD222	Drawer Ends Hold Down	359
DS482	Dust Shield for Door Edge	359
WD	Warning Disc	42

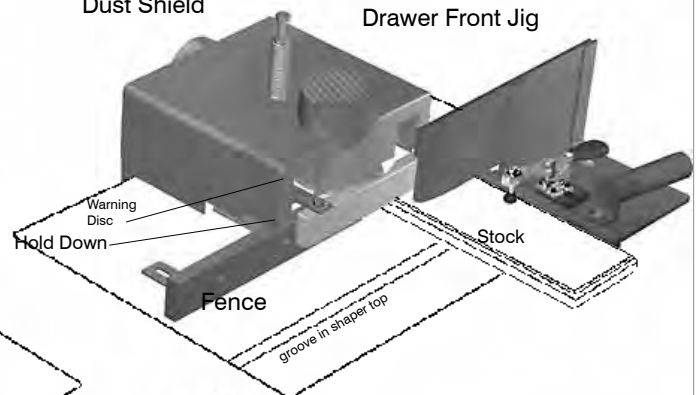
\$1,478

Dust Shield

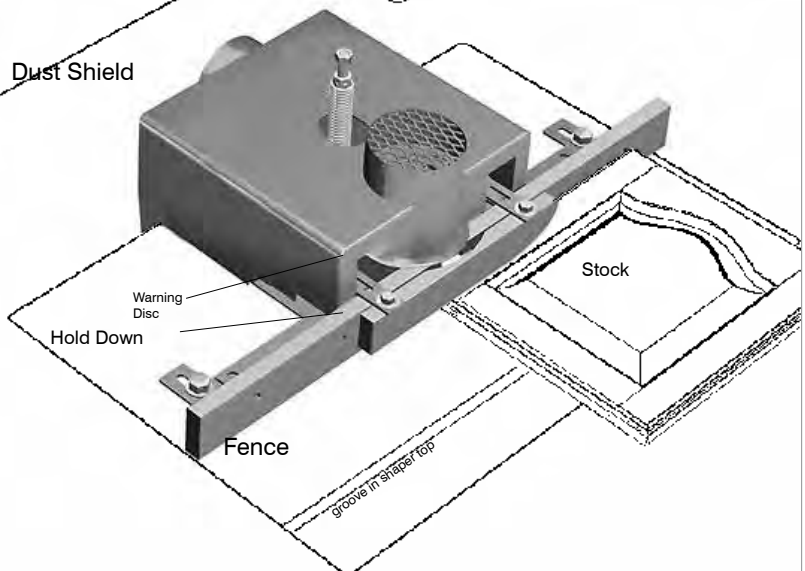


Dust Shield

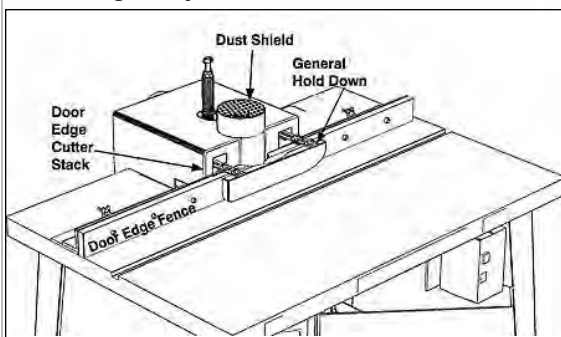
Drawer Front Jig



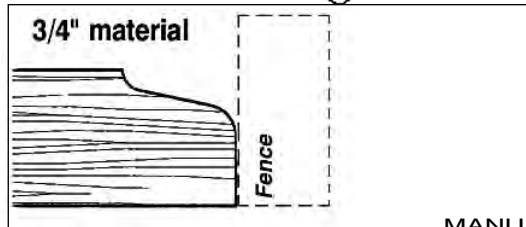
Dust Shield



Door Edge - Split Fence



3/4" material



MANUFACTURED IN U.S.A.

www.weaver-company.com

Phone 1-913-831-1800

CALL TOLL FREE 1-800-255-6214

Fax 1-913-831-2974

Copyright © 2022 all Rights Reserved

WEAVER COMPANY - 1108 SOUTH 37TH STREET - KANSAS CITY, KS 66106 USA

- 79 -

SHAPER CUTTERS

WEAVER

Table of Contents

Page Cutter

80	Shaper Cutters Table of Contents
81	Raised Panel Cutters..... 5/8" Single Raise or 3/4" with Partial Back Raise - Freeborn
82 3/4" Panels, 1/2" Panels - Freeborn
83 5/8" Panels Single Raise or 3/4" with Partial Back Raise - Insert Heads/Tips- Freeborn
84 3/4" Panels - Insert Heads/Tips- Freeborn
85 5/8" Single Raise or 3/4" with Partial Back Raise - Byrd
86 5/8" Panels Single Raise or 3/4" with Partial Back Raise
87 Shaker Cabinet Door Sets, 5/8" or 1/2" Shaker Panel - Freeborn
88 Shaker Cabinet Door Sets, 5/8" or 1/2" Shaker Panel - Byrd
87	Cabinet Door Stile & Rail Sets..... Shaker Cabinet Door Sets, 5/8" or 1/2" Shaker Panel - Freeborn
88 Shaker Cabinet Door Sets, 5/8" or 1/2" Shaker Panel - Byrd
89 Cabinet Door Sets - Easement - Byrd
90 Cabinet Door Glass Sets - Easement - Byrd
91 Shaker Cabinet Door Sets, 5/8" or 1/2" Shaker Panel - Byrd
92 Cabinet Door Sets - Easement - Freeborn
93 Cabinet Door Sets - Freeborn
94 Cabinet Door Sets - Easement Brazed Tenon/Insert Stile - Freeborn
95 Cabinet Door Sets - Brazed Tenon/Insert Stile - Freeborn
96 Cabinet Door Sets - Easement Insert Cutters - Freeborn
97 Cabinet Door Sets - Insert Cutters - Freeborn
98 Cabinet Door Sets - Insert Cutters - Multiple Profile - Eased, Non-Eased- Freeborn
99 Cabinet Door Sets - Braised Tip - Easement
100 Cabinet Door Sets - Braised Tip
101 Cope & Pattern, Window Sash - Freeborn
102	Door Edge Cutters..... Profiles - Byrd
103 Profiles - Freeborn
107	Door Edge Detail, Reversible..... Profiles - Freeborn
108	Rounds & Groovers..... Profiles - Freeborn
109	Easing Sets..... Profiles - Freeborn
110	Glue Joint, Flooring..... Profiles - Freeborn
112	House Door Stile & Rail Sets..... 1-3/8"-1-3/4" Stock - Freeborn
114	2-1/4" Stock - Freeborn
116	1-3/8"-1-3/4" Glass - Freeborn
118	2-1/4" Glass - Freeborn
120	<i>Raised Panel Cutters..... Stehle "While Supplies Last!"</i>
122	<i>Square Edge Cutters..... Stehle "While Supplies Last!"</i>
123	<i>Square Edge & Bevel Cutters..... Stehle "While Supplies Last!"</i>
124	<i>Drawer Cutters..... Stehle "While Supplies Last!"</i>
125	<i>Detail Cutters..... Stehle "While Supplies Last!"</i>
126	<i>V-Panelling Cutters..... Stehle "While Supplies Last!"</i>
127	<i>Convex Half Round Cutters..... Stehle "While Supplies Last!"</i>
129	<i>Concave Half Round Cutters..... Stehle "While Supplies Last!"</i>
129	<i>Multiform Deluxe Slip Stone.....</i>
130	<i>Convex Quarter Round Cutters..... Stehle "While Supplies Last!"</i>
131	<i>Concave Quarter Round Cutters... Stehle "While Supplies Last!"</i>
132	<i>3/4" Bore 2 Wing Cutters..... Stehle "While Supplies Last!"</i>
133	<i>HSS House Door Cutters..... Stehle "While Supplies Last!"</i>
134	<i>Molding Cutters..... Stehle "While Supplies Last!"</i>
136	<i>Cutter Accessories..... Ball Bearing Rub Collars, Warning Disc, Spacers, Shims</i>
138	<i>..... T-Bushings, Spacers, Shims</i>

Phone 1-913-831-1800

CALL TOLL FREE 1-800-255-6214

Fax 1-913-831-2974

Weaver Company - 1108 South 37th Street - Kansas City, KS 66106 USA



Manufactured
In U.S.A.

Raised Panel Cutters

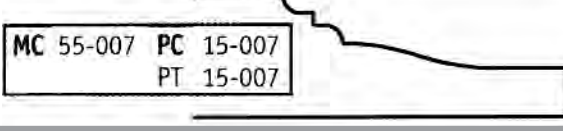
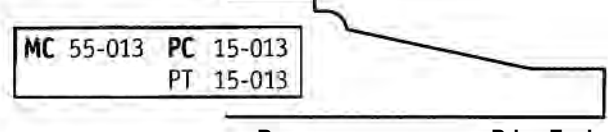
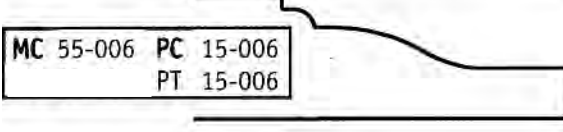
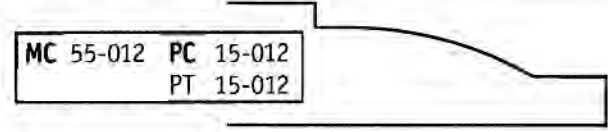
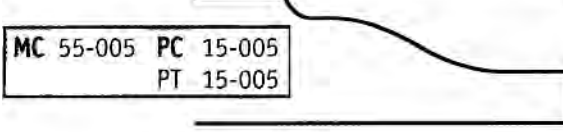
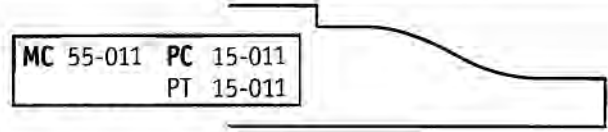
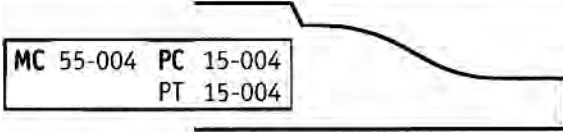
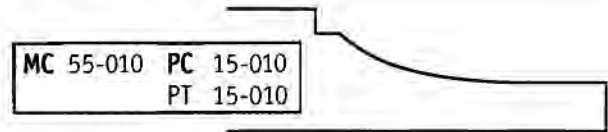
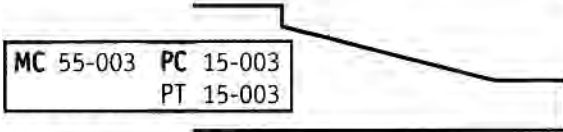
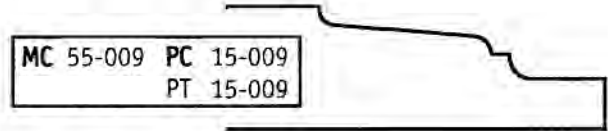
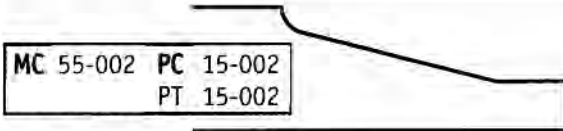
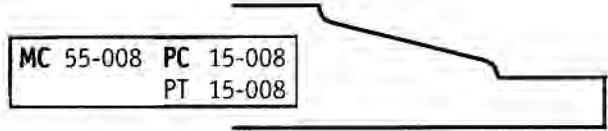
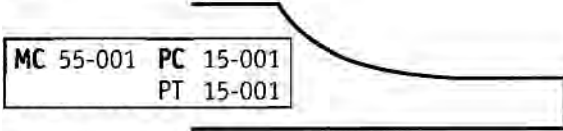
WEAVER
FREEBORN

Raised Panel Shaper Cutters (5/8" Material)

MINI-PRO cutters
3 wing 4-1/2" diameter
3/4" bore Runs with a 1-5/8"
diam. rub bearing (BB1203)

PRO-LINE cutters
3 wing 6" diameter
1-1/4" bore Runs with a 3"
diam. rub bearing (BB3006)

PC means 1 1/4" bore, Carbide
PT means 1 1/4" bore T-Alloy
MC means 3/4" bore carbide



Bore		Price Each
3/4"	Carbide	\$305
1 1/4"	Carbide	\$357
1 1/4"	T-Alloy	\$393

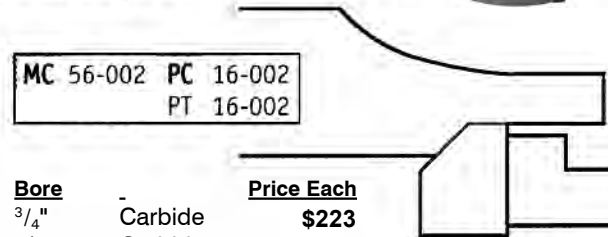
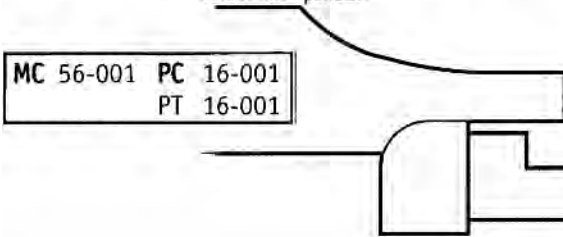
MINI-PRO cutters
3 wing 3-3/8" diameter
3/4" bore

PRO-LINE cutters
3 wing 4-3/4" diameter
1-1/4" bore

Does not include Raised Panel Cutter
Runs with any M-55 or P-15 series raised panel cutter
to cut 3/4" panels.

Back Cutters - Raised

Manufactured with 15° SHEAR to
produce optimum cuts both with
and across the grain.



Bore		Price Each
3/4"	Carbide	\$223
1 1/4"	Carbide	\$262
1 1/4"	T-Alloy	\$288

MANUFACTURED IN U.S.A.

Phone 1-913-831-1800

CALL TOLL FREE 1-800-255-6214

Fax 1-913-831-2974

Copyright © 2022 all Rights Reserved

WEAVER COMPANY - 1108 SOUTH 37TH STREET - KANSAS CITY, KS 66106 USA

www.weaver-company.com

- 81 -

IPAGES-CU-RP-BT-FIPAGES-CU-RP-BT-F



Manufactured
In U.S.A.

Raised Panel Cutters

WEAVER
FREEBORN

Raised Panel Shaper Cutters (3/4" Material)

MINI-PRO cutters
3 wing 4-1/2" diameter
3/4" bore Runs with a 1-5/8"
diam. rub bearing (BB1203)

PRO-LINE cutters
3 wing 6" diameter
1-1/4" bore Runs with
diam. rub bearing (BB3006)

PC means 1 1/4" bore, Carbide
PT means 1 1/4" bore T-Alloy
MC means 3/4" bore carbide



MC 54-001 PC 14-001
PT 14-001

MC 54-008 PC 14-008
PT 14-008

MC 54-002 PC 14-002
PT 14-002

MC 54-009 PC 14-009
PT 14-009

MC 54-003 PC 14-003
PT 14-003

MC 54-010 PC 14-010
PT 14-010

MC 54-004 PC 14-004
PT 14-004

MC 54-011 PC 14-011
PT 14-011

MC 54-005 PC 14-005
PT 14-005

MC 54-012 PC 14-012
PT 14-012

MC 54-006 PC 14-006
PT 14-006

MC 54-013 PC 14-013
PT 14-013

MC 54-007 PC 14-007
PT 14-007

Bore		Price Each
3/4"	Carbide	\$305
1 1/4"	Carbide	\$357
1 1/4"	T-Alloy	\$393

Raised Panel Shaper Cutters (1/2" Material)

Pro Line: 1 1/4" bore 3" Bearing
P-Pro Line, C-Carbide, T-Alloy

PRO-LINE cutters
3 wing 1-1/4" bore
Designed to run with a 3" diameter rub bearing BB3006
Available in Pro-Line only

PC 15-101
PT 15-101 6 1/2" OD

PC 15-102
PT 15-102 6 5/8" OD

Bore		Price Each
1 1/4"	Carbide	\$357
1 1/4"	T-Alloy	\$393

MANUFACTURED IN U.S.A.

Phone 1-913-831-1800

CALL TOLL FREE 1-800-255-6214

Fax 1-913-831-2974



Manufactured
In U.S.A.

Raised Panel Cutters

Insert Heads & Tips

WEAVER
FREEBORN

Raised Panel Shaper Cutters (5/8" Material)

PRO-LINE cutters
3 wing \varnothing 6" diameter
1-1/4" bore Runs with a 3"
diam. rub bearing (BB3006)

IC means 1 1/4" bore, Carbide
IT means 1 1/4" bore T-Alloy

IC 15-001
IT 15-001

IC 15-002
IT 15-002

IC 15-003
IT 15-003

IC 15-004
IT 15-004

IC 15-005
IT 15-005

IC 15-006
IT 15-006

IC 15-007
IT 15-007



Bore		Price Each
1 1/4"	- Carbide	\$392
1 1/4"	T-Alloy	\$420

PRO-LINE cutters
3 wing \varnothing 4-3/4" diameter
 \varnothing 1-1/4" bore

Does not include Raised Panel Cutter

Runs with any 15 series raised panel cutters
to cut 3/4" panels.

IC 16-001
IT 16-001

Back Cutters - Raised

Manufactured with 15° SHEAR to
produce optimum cuts both with
and across the grain.



Bore		Price Each
1 1/4"	- Carbide	\$308
1 1/4"	T-Alloy	\$330

MANUFACTURED IN U.S.A.

www.weaver-company.com

Phone 1-913-831-1800

CALL TOLL FREE 1-800-255-6214

Fax 1-913-831-2974

Copyright © 2022 All Rights Reserved

WEAVER COMPANY - 1108 SOUTH 37TH STREET - KANSAS CITY, KS 66106 USA

- 83 -

IPAGES-CU-RP-BT-FIPAGES-CU-RP-BT-F

Jan 2022 - 83



Manufactured
In U.S.A.

Raised Panel Cutters

Insert Heads & Tips

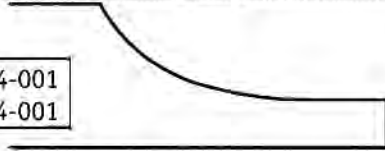
WEAVER
FREEBORN

Raised Panel Shaper Cutters (3/4" Material)

PRO-LINE cutters

3 wing 6" diameter
1-1/4" bore Runs with a 3"
diam. rub bearing (BB3006)

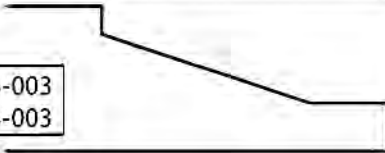
IC 14-001
IT 14-001



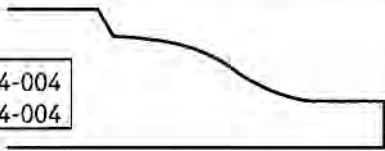
IC 14-002
IT 14-002



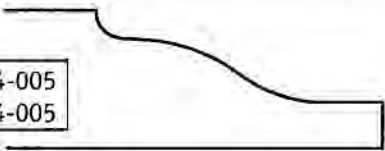
IC 14-003
IT 14-003



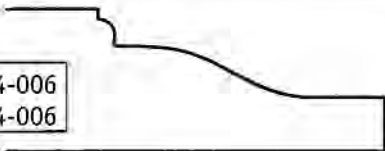
IC 14-004
IT 14-004



IC 14-005
IT 14-005



IC 14-006
IT 14-006



IC 14-007
IT 14-007



IC means 1 1/4" bore, Carbide
IT means 1 1/4" bore T-Alloy



Bore		Price Each
1 1/4"	- Carbide	\$392
1 1/4"	T-Alloy	\$420

MANUFACTURED IN U.S.A.

Phone 1-913-831-1800

CALL TOLL FREE 1-800-255-6214

Fax 1-913-831-2974

-84-

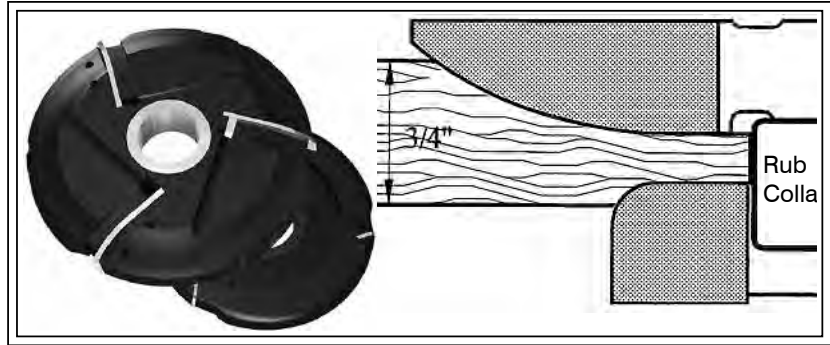
WEAVER COMPANY - 1108 SOUTH 37TH STREET - KANSAS CITY, KS 66106 USA

www.weaver-company.com
Copyright © 2022 all Rights Reserved



RAISED PANEL INSERT HEADS & TIPS

WEAVER
Byrd



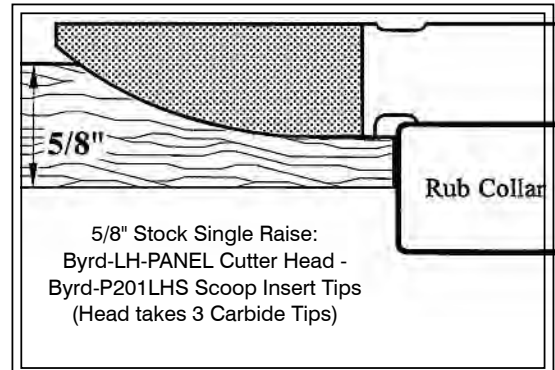
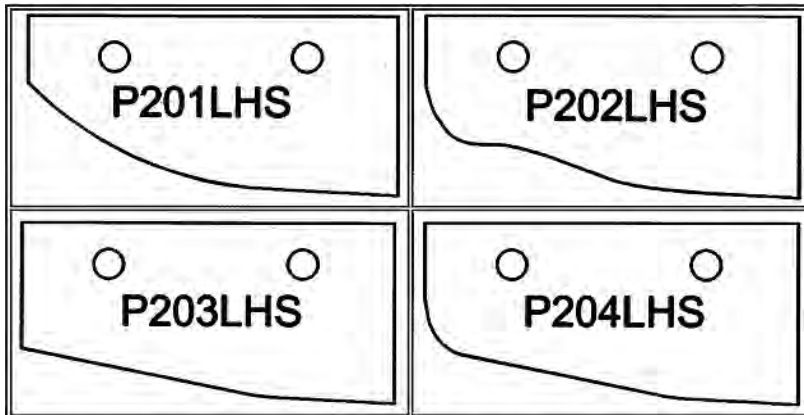
3/4" Stock with Partial Under Raiser: Byrd-LH-PANEL Cutter Head with Byrd-P201LHS Scoop Insert Tips (3) & Byrd LHPART Partial Raiser with Byrd-PRBLH Insert Tips (3)

Raised Panel Insert Cutter Heads

Counterclockwise Face Up - 1 1/4" Bore - 6" Outside Diameter. - 2 3/4" Minor Diameter

Item#	Description	Price
BYRD-LHPANEL	Raised Panel Insert Cutter w/tips	\$390
BYRD-LHPART	Raised Panel Partial Insert Cutter w/tips	\$209

Raised Panel Carbide Insert Tips



5/8" Stock Single Raise:
Byrd-LH-PANEL Cutter Head -
Byrd-P201LHS Scoop Insert Tips
(Head takes 3 Carbide Tips)

Counterclockwise Face Up - Carbide

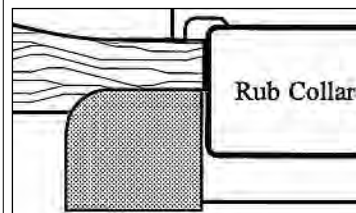
Item#	Description	Set of 3	Price
BYRD-P201LHS	Scoop Insert Tips		\$120
BYRD-P202LHS	Ogee Insert Tips		\$120
BYRD-P203LHS	Bevel Insert Tips		\$120
BYRD-P204LHS	Bevel Round Insert Tips		\$120
BYRD-P205LH	Scoop Insert Tips		\$120
BYRD-PRBLH	Partial Under Raiser Insert Tips		\$39

Tip and Gib must be held securely against the seat & Stop Screw when tightening the Gib Screw



Also, when putting in new or sharpened knives, ensure no wood chips or dust is in between the Tip & Gib!

For the Partial Back Raise:



Raised Panel Partial Insert Cutter Head

Item#	Description	Price
BYRD-LHPART	Partial Back Insert Cutter with Tips	\$209

Partial Under Raiser Carbide Insert Tips

Counterclockwise Face Up - Carbide

Item#	Description	Set of 3	Price
BYRD-PRBLH	Partial Under Raiser Insert Tips		\$39

MANUFACTURED IN U.S.A.

www.weaver-company.com

Phone 1-913-831-1800

CALL TOLL FREE 1-800-255-6214

Fax 1-913-831-2974

Copyright © 2022 all Rights Reserved

WEAVER COMPANY - 1108 SOUTH 37TH STREET - KANSAS CITY, KS 66106 USA

- 85 -



Manufactured
In U.S.A.

Raised Panel Cutters

WEAVER

5/8" Raised Panel Cutters for Single Raise



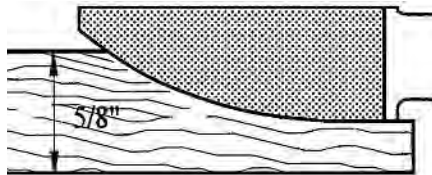
Solid Body Carbide Tipped Shaper Cutters

For $\frac{5}{8}$ " stock, face up. Use 2-1/4" O.D. Ball Bearing Rub Collar - If you need a ball bearing rub collar, order #BB2086 - Price \$47 (not included in cutter price)

(These Raised Panel Cutters are $5\frac{1}{2}$ " Outside Diameter)

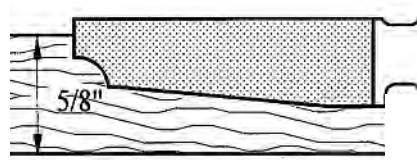


Scoop



Item#	Wings	Type	Price
FRE7046D3	3	Carbide	\$499

Quarter Round Bead



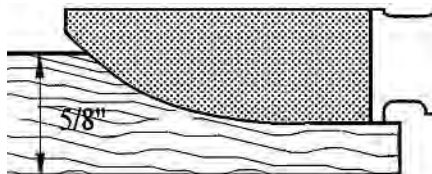
Item#	Wings	Type	Price
FRE1045	3	Carbide	\$499

Ogee



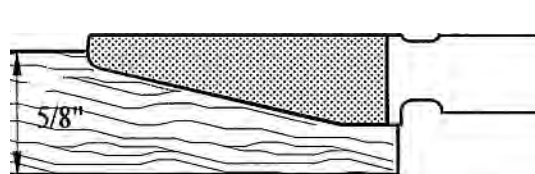
Item#	Wings	Type	Price
FRE1049	3	Carbide	\$499

Scoop

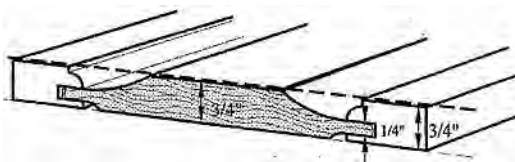


Item#	Wings	Type	Price
FRE1036	3	Carbide	\$499

Bevel



Item#	Wings	Type	Price
FRE1041	3	Carbide	\$499

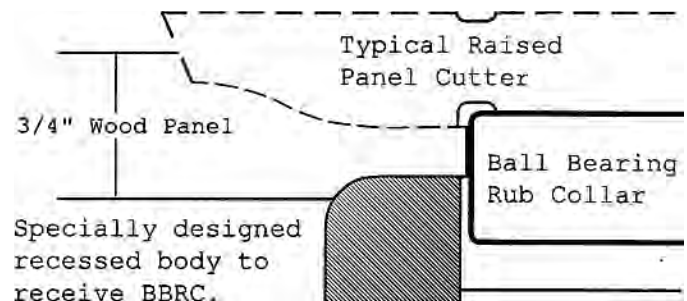


Partial Back Under Raised Panel... is typically used with $5\frac{1}{2}$ " Raised Panel Cutters. This cutter is recessed to accept a Ball Bearing Rub Collar (BB2086 - 2-1/4" O.D.) and make a 1/4" tongue for your panel. If you need a ball bearing rub collar, order item BB2086 - Price \$39 (not included in cutter price)



Item#	Wings	Type	Price
FRE1090A-114-BB-NB	3	Carbide	\$499

MANUFACTURED IN U.S.A.



www.weaver-company.com

Phone 1-913-831-1800

CALL TOLL FREE 1-800-255-6214

Fax 1-913-831-2974

- 86 -

WEAVER COMPANY - 1108 SOUTH 37TH STREET - KANSAS CITY, KS 66106 USA

Copyright © 2022 all Rights Reserved

Shaker Cabinet Door Cutters

WEAVER
FREEBORN

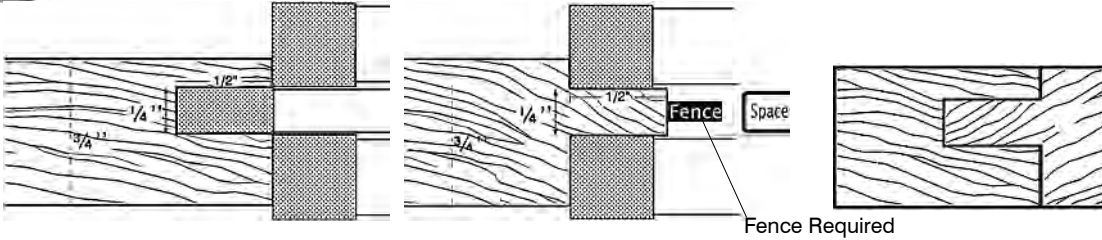
Stile & Rail Cutter Sets - 3 Wing Carbide

PC means 1 1/4" bore, Carbide
MC means 3/4" bore carbide

Cope & Pattern 3/4" to 1 1/8" Material

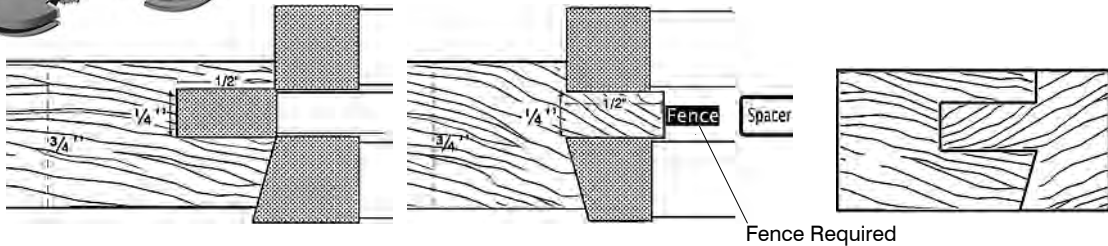


Mini Pro: 3/4" bore, 2 3/16" bearing, 2 15/16" tenon OD, 3 3/16" stile OD
Pro Line: 1 1/4" bore, 3 1/4" bearing, 4" tenon OD, 4 1/4" stile OD
M-Mini Pro, P-Pro Line, C-Carbide



Item	Description	Price
PC10-500-501-801	Shaker Door Set 1-1/4" Bore	\$575
MC50-500-501-801	Shaker Door Set 3/4" Bore	\$488

(Price includes both tenon and stile cutters)



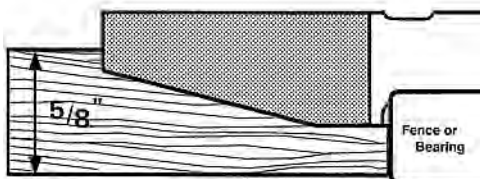
Item	Description	Price
PC10-060-501-801	Shaker Door Set 1-1/4" Bore	\$701
MC50-060-501-801	Shaker Door Set 3/4" Bore	\$596

(Price includes both tenon and stile cutters)

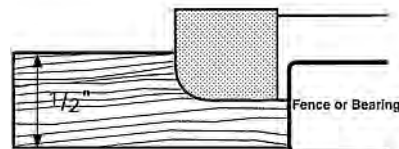
Raised Panel Cutters - Counterclockwise Rotation - 3 Wing Carbide



For 5/8" Panel



Item	Description	Price
PC15-003	Bevel - 1-1/4" Bore	\$357
MC55-003	Bevel - 3/4" Bore	\$339



Item	Description	Price
PC16-001R	Shaker Partial Raiser - 1-1/4" Bore	\$315
MC56-001R	Shaker Partial Raiser - 3/4" Bore	\$268

MANUFACTURED IN U.S.A.

Phone 1-913-831-1800

CALL TOLL FREE 1-800-255-6214

Fax 1-913-831-2974

Copyright © 2022 all Rights Reserved

WEAVER COMPANY - 1108 SOUTH 37TH STREET - KANSAS CITY, KS 66106 USA

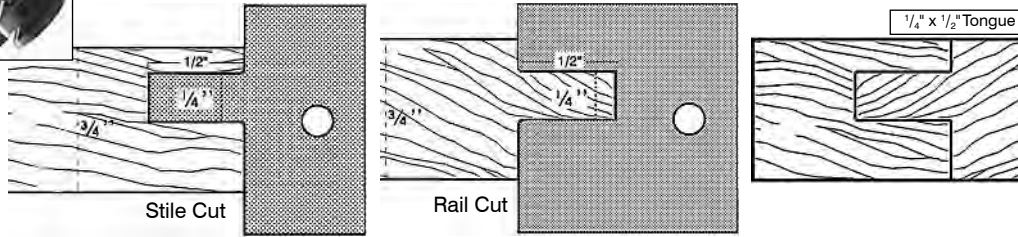
www.weaver-company.com

- 87 -

Shaker Cabinet Door Cutters

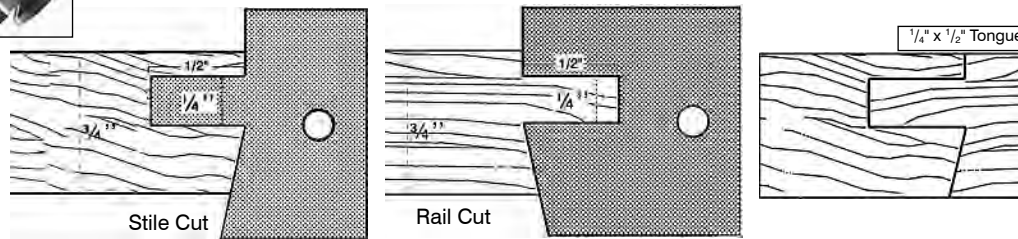
**WEAVER
Byrd**

Stile & Rail Cutter Sets - Counterclockwise Rotation - 3 Wing Carbide - Insert Tips



Item	Description	Price
7L	Shaker Stile & Rail Heads and 7L Tips (Price includes both tenon and stile cutters)	\$696

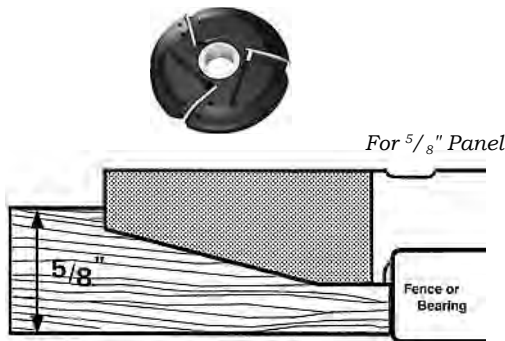
Available in 1-1/4" or 3/4" Bore



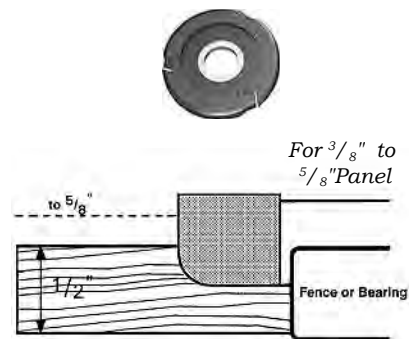
Item	Description	Price
6L	Bevel Shaker Stile & Rail Heads and 6L Tips (Price includes both tenon and stile cutters)	\$696

Available in 1-1/4" or 3/4" Bore

Raised Panel Cutters - Counterclockwise Rotation - 3 Wing Carbide Insert Tips - 1-1/4" Bore



Item	Description	Price
BYP203LHS	Insert Head with Tips (3)	\$390



Item	Description	Price
BYRH/R-BACK	Insert Head with tips (3)	\$209

Use 5/8" panel for deeper raise.

MANUFACTURED IN U.S.A.

Phone 1-913-831-1800

CALL TOLL FREE 1-800-255-6214

www.weaver-company.com
Fax 1-913-831-2974



Manufactured
In U.S.A.

STILE & RAIL INSERT HEADS & TIPS

WEAVER
Byrd

The Easement Cabinet Door Cutters are used to solve stain and finish problems.

With the cutter profile having a slight radius where the panel meets the stile, the stain or finish can work its way under the stile. Thus, movement from panel contraction will not expose the unfinished part of the panel as readily as traditional cabinet door cutting.

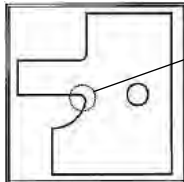
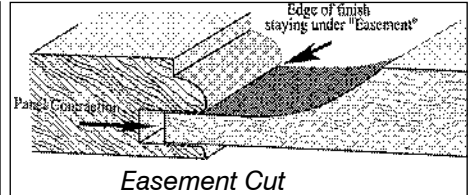
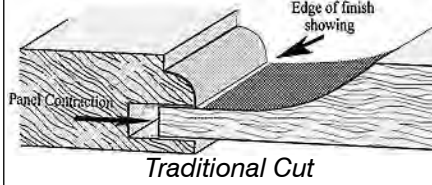


the solution

Edge of finish not exposed since it is also under the easement lip.

the problem

Edge of finish showing due to panel contraction

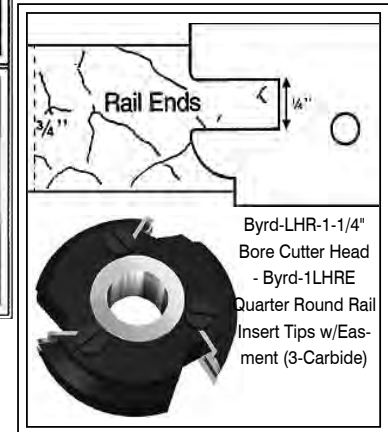
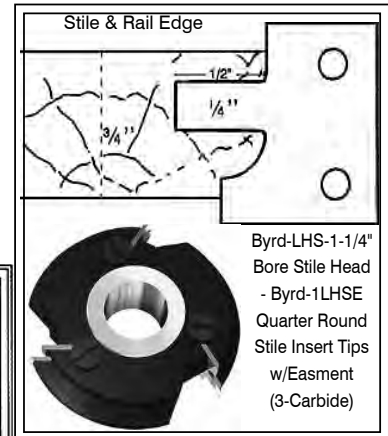
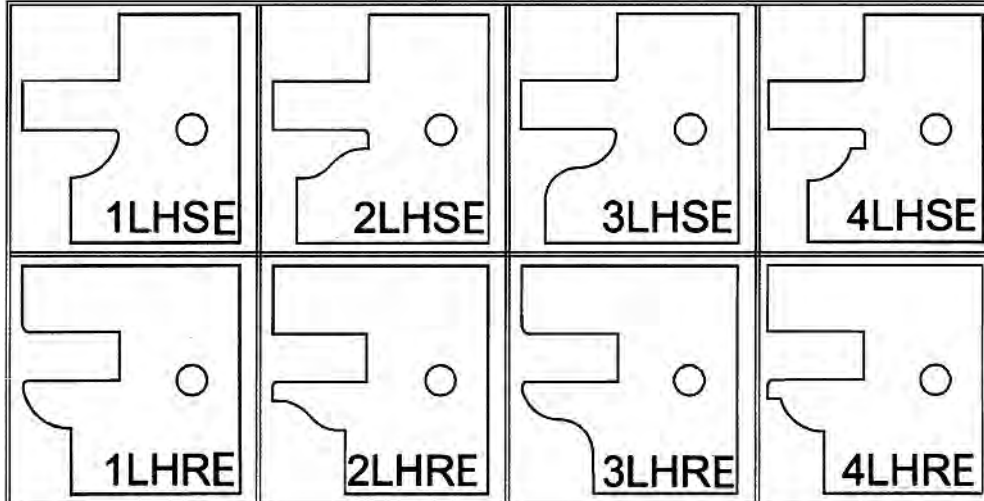


"Easement" tips have a small radius where required for stain relief (or designated as eased edges.)

Cabinet Door Profile Cutter Heads

1 1/4" Bore - Counterclockwise Face Down - 4 1/2" O.D. 3 1/2" M.D.

Item#	Description	Wings	Price
BYRD-LHS	Stile Insert Cutter Head and Tips(3)	3	\$348
BYRD-LHR	Rail Insert Cutter Head and Tips(3)	3	\$348



"LH" Profiles shown - Counterclockwise Rotation - Stock Face Down

Cabinet Door Profile Carbide Insert Tips

Item#	Description	Set of 3	Price
BYRD-1LHSE	Quarter Round - Easement		\$93
BYRD-1LHRE	Quarter Round - Easement		\$93
BYRD-2LHSE	Ogee - Easement		\$93
BYRD-2LHRE	Ogee - Easement		\$93
BYRD-3LHSE	Curve Profile - Easement		\$93
BYRD-3LHRE	Curve Profile - Easement		\$93
BYRD-4LHSE	Bead - Easement		\$93
BYRD-4LHRE	Bead - Easement		\$93

Note: 3 tips required in the insert heads.

Tip and Gib must be held securely against the seat & Stop Screw when tightening the Gib Screw

Also, when putting in new or sharpened knives, ensure no wood chips or dust is in between the Tip & Gib!

MANUFACTURED IN U.S.A.

www.weaver-company.com

Phone 1-913-831-1800

CALL TOLL FREE 1-800-255-6214

Fax 1-913-831-2974

Copyright © 2022 all Rights Reserved

WEAVER COMPANY - 1108 SOUTH 37TH STREET - KANSAS CITY, KS 66106 USA

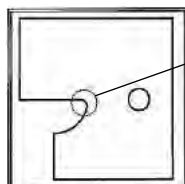
- 89 -



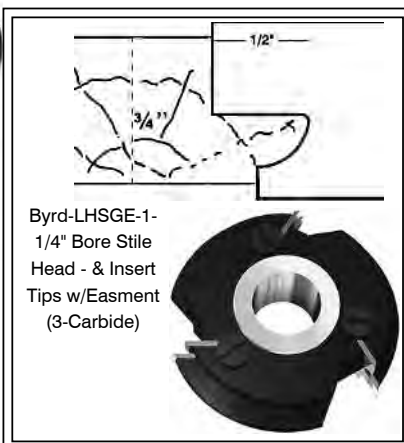
Manufactured
In U.S.A.

STILE & RAIL INSERT HEADS & TIPS - GLASS

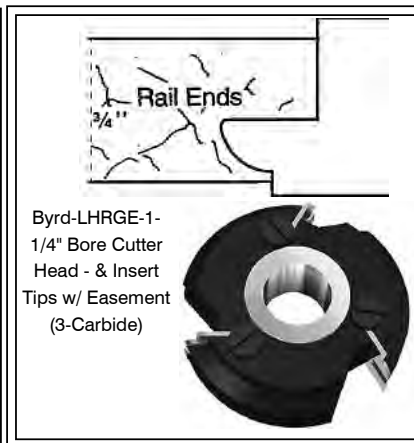
WEAVER Byrd



"Easement" tips
have a small radius
designated as "eased
edges".)



Byrd-LHSGE-1-
1/4" Bore Stile
Head - & Insert
Tips w/Easement
(3-Carbide)

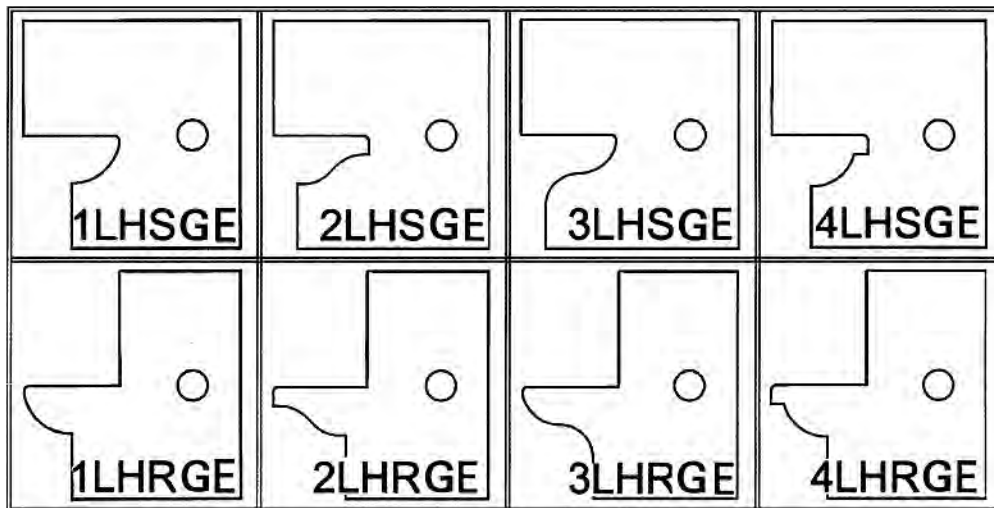


Byrd-LHRGE-1-
1/4" Bore Cutter
Head - & Insert
Tips w/ Easement
(3-Carbide)

Note: 3 tips required in the insert heads.

Cabinet Door Profile Cutter Heads 1 1/4" Bore - Counterclockwise Face Down.

Item#	Description	Set of 3	Price
BYRD-LHSG	Stile Insert Cutter Head - Glass w/Tips		\$348
BYRD-LHRG	Rail Insert Cutter Head - Glass w/Tips		\$348



"LH" Profiles shown
- Counterclockwise
Rotation -
Stock Face Down

Cabinet Door Profile Carbide Insert Tips

Item#	Description	Set of 3	Price
BYRD-1LHSGE	Quarter Round - Easement		\$93
BYRD-1LHRGE	Quarter Round - Easement		\$93
BYRD-2LHSGE	Ogee - Easement		\$93
BYRD-2LHRGE	Ogee - Easement		\$93
BYRD-3LHSGE	Curve Profile - Easement		\$93
BYRD-3LHRGE	Curve Profile - Easement		\$93
BYRD-4LHSGE	Bead - Easement		\$93
BYRD-4LHRGE	Bead - Easement		\$93

**Tip and Gib must be held
securely against the seat &
Stop Screw when tightening
the Gib Screw**

**Also, when putting in new or
sharpened knives, ensure no
wood chips or dust is in between
the Tip & Gib!**

www.weaver-company.com

Phone 1-913-831-1800

CALL TOLL FREE 1-800-255-6214

Fax 1-913-831-2974

- 90 -

WEAVER COMPANY - 1108 SOUTH 37TH STREET - KANSAS CITY, KS 66106 USA

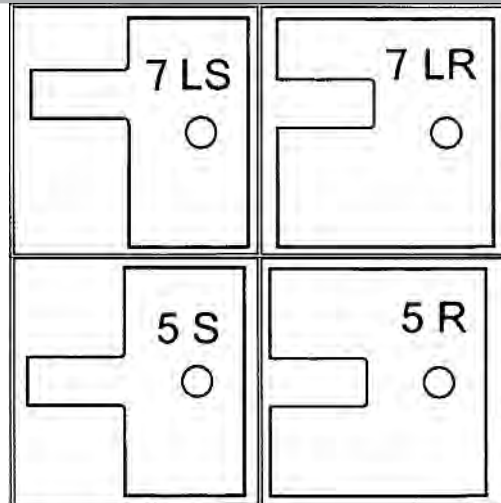
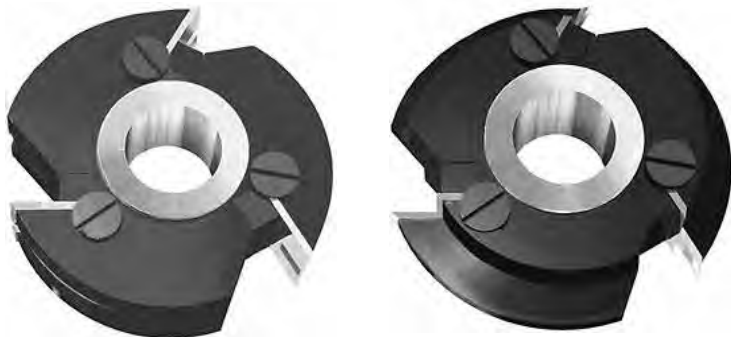
Copyright © 2022 all Rights Reserved



Manufactured
In U.S.A.

SHAKER INSERT HEADS & TIPS

WEAVER
Byrd



SHAKER CUTTER HEADS

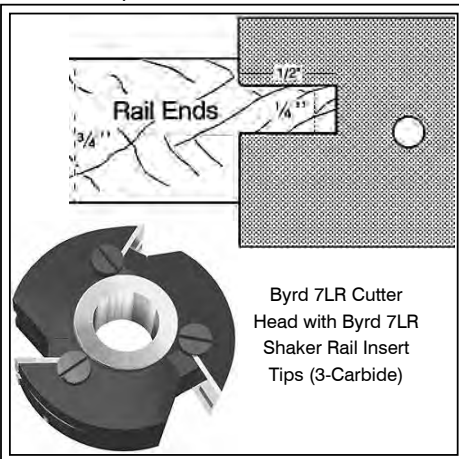
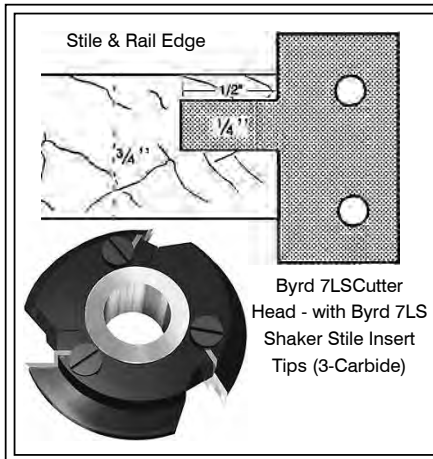
Counterclockwise Face Down - 1 1/4" Bore - 4 1/2" O.D. 3 1/2" M.D.

tem#	Description	Price
7LS-1 1/4"	Shaker Stile Head and 7LS Tips	\$348
7LR-1 1/4"	Shaker Rail Head and 7LR Tips	\$348
5S-1 1/4"	Shaker Stile Head and 5S Tips	\$348
5R-1 1/4"	Shaker Rail Head and 5R Tips	\$348

SHAKER INSERT TIPS

tem#	Description	Set of 3	Price
BYRD-7LS	Shaker Stile Profile Carbide Insert Tips		\$93
BYRD-7LR	Shaker Rail Profile Carbide Insert Tips		\$93
BYRD-5S	Shaker Stile Profile Carbide Insert Tips		\$93
BYRD-5R	Shaker Rail Profile Carbide Insert Tips		\$93

*NOTE: For centered tongue
BYRD-5SH & 5RH Heads
Required, and
for the offset tongue
BYRD-7LR & 7LS Heads
Required.*



**Tip and Gib must be held
securely against the seat &
Stop Screw when tightening
the Gib Screw**

**Also, when putting in new or
sharpened knives, ensure no
wood chips or dust is in between
the Tip & Gib!**

Shaker tips require Shaker cutter heads.

SHAKER/MISSION PARTIAL BACK RAISE CUTTER HEADS

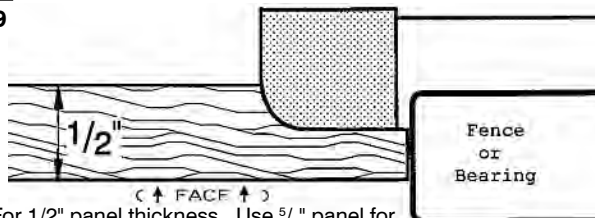
1-1/4" Bore - Counterclockwise Face Down
(back of the panel is face up) - 4 1/2" O.D.

tem#	Description	Price
BYRD-PRBRH	Shaker Panel Partial Insert Cutter Head w/Tips(3)	\$209

Shaker/Mission Partial Back Raise Carbide Insert Tips

Counterclockwise Face Down - Carbide

tem#	Description	Set of 3	Price
BYRD-RHPARTIAL	Partial Raiser Insert Tips		\$39



For 1/2" panel thickness. Use 5/8" panel for deeper raise.

MANUFACTURED IN U.S.A.

www.weaver-company.com

Phone 1-913-831-1800

CALL TOLL FREE 1-800-255-6214

Fax 1-913-831-2974

Copyright © 2022 all Rights Reserved

WEAVER COMPANY - 1108 SOUTH 37TH STREET - KANSAS CITY, KS 66106 USA

- 91 -



Manufactured
In U.S.A.

Cabinet Door Cutter Sets

Easement Sets

WEAVER
FREEBORN

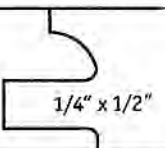
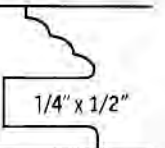
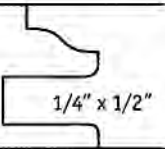
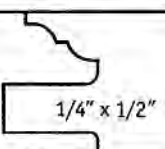
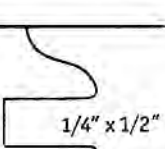
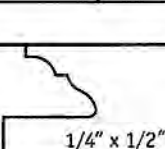
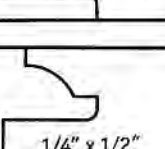
Cope & Pattern $3/4"$ to $1\ 1/8"$ Material

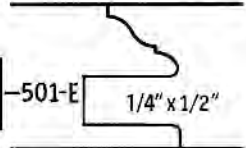
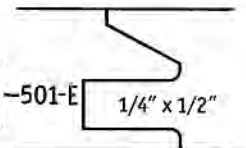
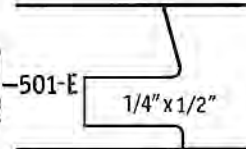
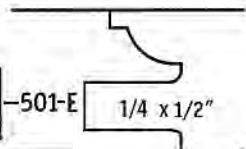
Mini Pro: $3/4"$ bore, $2\ 3/16"$ bearing, $2\ 15/16"$ tenon OD, $3\ 3/16"$ stile OD

Pro Line: $1\ 1/4"$ bore, $3\ 1/4"$ bearing, 4" tenon OD, $4\ 1/4"$ stile OD

M-Mini Pro, P-Pro Line, C-Carbide, T-Talloy

PC means $1\ 1/4"$ bore, Carbide
PT means $1\ 1/4"$ bore T-Alloy
MC means $3/4"$ bore Carbide

MC 50-010 PC 10-010 PT 10-010	-501-E		$1/4" \times 1/2"$
MC 50-015 PC 10-015 PT 10-015	-501-E		$1/4" \times 1/2"$
MC 50-020 PC 10-020 PT 10-020	-501-E		$1/4" \times 1/2"$
MC 50-025 PC 10-025 PT 10-025	-501-E		$1/4" \times 1/2"$
MC 50-030 PC 10-030 PT 10-030	-501-E		$1/4" \times 1/2"$
MC 50-035 PC 10-035 PT 10-035	-501-E		$1/4" \times 1/2"$
MC 50-040 PC 10-040 PT 10-040	-501-E		$1/4" \times 1/2"$

MC 50-045 PC 10-045 PT 10-045	-501-E		$1/4" \times 1/2"$
MC 50-050 PC 10-050 PT 10-050	-501-E		$1/4" \times 1/2"$
MC 50-060 PC 10-060 PT 10-060	-501-E		$1/4" \times 1/2"$
MC 50-070 PC 10-070 PT 10-070	-501-E		$1/4" \times 1/2"$

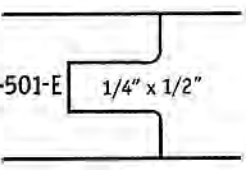


Profiled Cabinet Door Sets

Bore		Price
$3/4"$	Carbide	\$716
$1\ 1/4"$	Carbide	\$842
$1\ 1/4"$	T-Alloy	\$926

(Price includes both tenon and stile cutters)

$3/4"$ to $1\ 1/8"$ material

MC 50-500 PC 10-500 PT 10-500	-501-E		$1/4" \times 1/2"$
------------------------------------------------	--------	-------------------------------------------------------------------------------------	--------------------

Shaker Cabinet Door Sets

Bore		Price
$3/4"$	Carbide	\$586
$1\ 1/4"$	Carbide	\$690
$1\ 1/4"$	T-Alloy	\$759

(Price includes both tenon and stile cutters)

MANUFACTURED IN U.S.A.

Phone 1-913-831-1800

CALL TOLL FREE 1-800-255-6214

Fax 1-913-831-2974

- 92 -

IPAGES-CU-SR-BT-F

WEAVER COMPANY - 1108 SOUTH 37TH STREET - KANSAS CITY, KS 66106 USA

Copyright © 2022 all Rights Reserved



Cabinet Door Cutter Sets

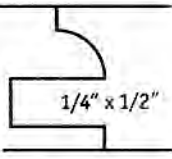
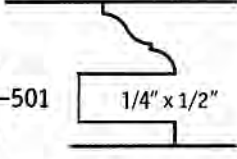
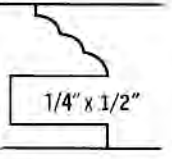
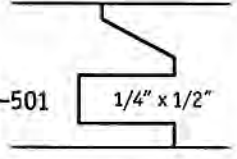
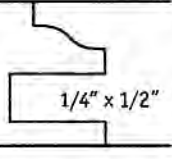
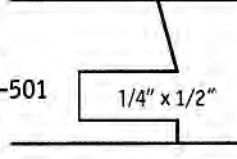
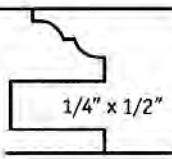
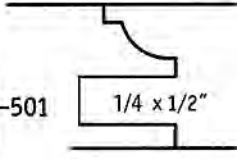
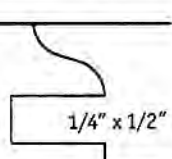
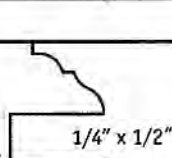
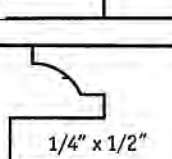
Non-Easement Sets

WEAVER
FREEBORN

Cope & Pattern $\frac{3}{4}$ " to $1\frac{1}{8}$ " Material

Mini Pro: $\frac{3}{4}$ " bore, $2\frac{3}{16}$ " bearing, $2\frac{15}{16}$ " tenon OD, $3\frac{3}{16}$ " stile OD
Pro Line: $1\frac{1}{4}$ " bore, $3\frac{1}{4}$ " bearing, 4" tenon OD, $4\frac{1}{4}$ " stile OD
M-Mini Pro, P-Pro Line, C-Carbide, T-T-alloy

PC means $1\frac{1}{4}$ " bore, Carbide
 PT means $1\frac{1}{4}$ " bore T-Alloy
 MC means $\frac{3}{4}$ " bore Carbide

MC 50-010 PC 10-010 PT 10-010	-501		MC 50-045 PC 10-045 PT 10-045	-501	
MC 50-015 PC 10-015 PT 10-015	-501		MC 50-050 PC 10-050 PT 10-050	-501	
MC 50-020 PC 10-020 PT 10-020	-501		MC 50-060 PC 10-060 PT 10-060	-501	
MC 50-025 PC 10-025 PT 10-025	-501		MC 50-070 PC 10-070 PT 10-070	-501	
MC 50-030 PC 10-030 PT 10-030	-501				
MC 50-035 PC 10-035 PT 10-035	-501				
MC 50-040 PC 10-040 PT 10-040	-501				

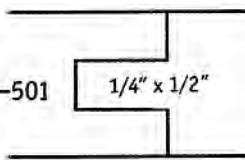


Profiled Cabinet Door Sets

<u>Bore</u>		<u>Price</u>
$\frac{3}{4}$ "	Carbide	\$596
$1\frac{1}{4}$ "	Carbide	\$701
$1\frac{1}{4}$ "	T-Alloy	\$771

(Price includes both tenon and stile cutters)

$\frac{3}{4}$ " to $1\frac{1}{8}$ " material

MC 50-500 PC 10-500 PT 10-500	-501	
-------------------------------------------------------	------	-------------------------------------------------------------------------------------

Shaker Cabinet Door Sets

<u>Bore</u>		<u>Price</u>
$\frac{3}{4}$ "	Carbide	\$488
$1\frac{1}{4}$ "	Carbide	\$575
$1\frac{1}{4}$ "	T-Alloy	\$632

(Price includes both tenon and stile cutters)

MANUFACTURED IN U.S.A.

www.weaver-company.com

Phone 1-913-831-1800

CALL TOLL FREE 1-800-255-6214

Fax 1-913-831-2974

Copyright © 2022 all Rights Reserved

WEAVER COMPANY - 1108 SOUTH 37TH STREET - KANSAS CITY, KS 66106 USA

- 93 -

IPAGES-CU-SR-BT-F



Cabinet Door Cutter Sets

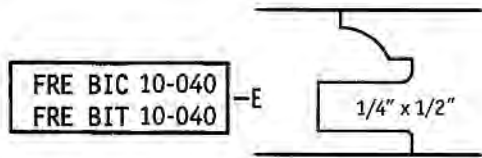
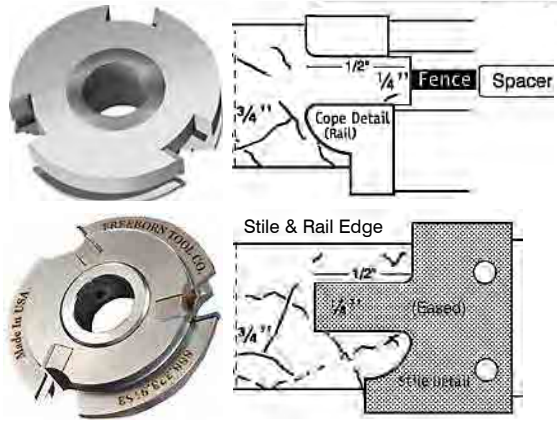
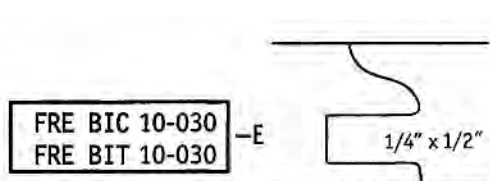
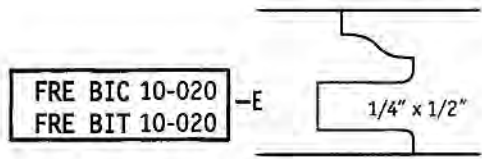
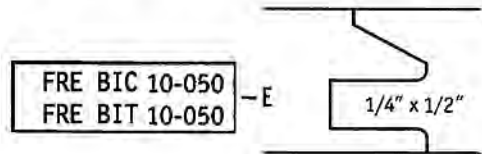
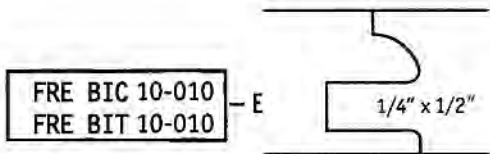
Easement Sets - *Brazed Tenon-Insert Stile*

WEAVER
FREBORN

Cope & Pattern $3/4"$ to $1\ 1/8"$ Material

Pro Line: $1\ 1/4"$ bore, $3\ 1/2"$ bearing, 4" tenon OD, $4\ 1/2"$ stile OD
P-Pro Line, C-Carbide, T-T-Alloy

BIC means $1\ 1/4"$ bore, Carbide Set
brazed tip rail, insert stile.
BIT means $1\ 1/4"$ bore T-Alloy Set
brazed tip rail, insert stile.

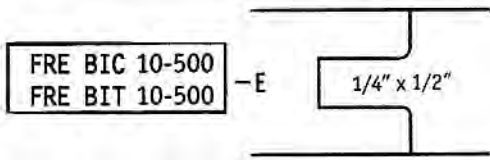


Profiled Cabinet Door Sets

Bore		Each
$1\ 1/4"$	Carbide	\$894
$1\ 1/4"$	T-Alloy	\$929

(Price includes both tenon and stile cutters)

$3/4"$ to $1\ 1/8"$ material



Shaker Cabinet Door Sets

Bore		Each
$1\ 1/4"$	Carbide	\$844
$1\ 1/4"$	T-Alloy	\$879

(Price includes both tenon and stile cutters)

MANUFACTURED IN U.S.A.

Phone 1-913-831-1800 **CALL TOLL FREE 1-800-255-6214** Fax 1-913-831-2974
 WEAVER COMPANY - 1108 SOUTH 37TH STREET - KANSAS CITY, KS 66106 USA
 Copyright © 2022 all Rights Reserved



Cabinet Door Cutter Sets

Non-Easement Sets - *Brazed Tenon-Insert Stile*

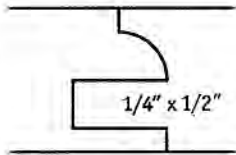
WEAVER
FREEBORN

Cope & Pattern $3/4"$ to $1\ 1/8"$ Material

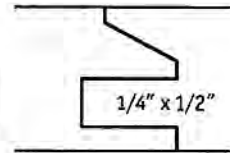
Pro Line: $1\ 1/4"$ bore, $3\ 1/2"$ bearing, 4" tenon OD, $4\ 1/2"$ stile OD
P-Pro Line, C-Carbide, T-Talloy

BIC means $1\ 1/4"$ bore, Carbide Set
brazed tip rail, insert stile.
BIT means $1\ 1/4"$ bore T-Alloy Set
brazed tip rail, insert stile.

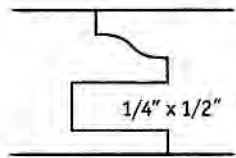
FRE BIC 10-010
FRE BIT 10-010



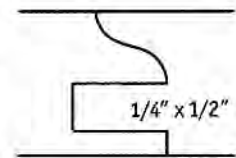
FRE BIC 10-050
FRE BIT 10-050



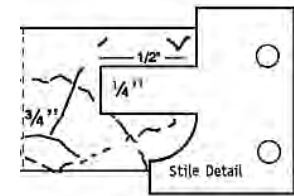
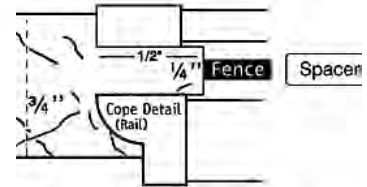
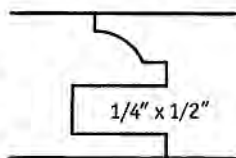
FRE BIC 10-020
FRE BIT 10-020



FRE BIC 10-030
FRE BIT 10-030



FRE BIC 10-040
FRE BIT 10-040



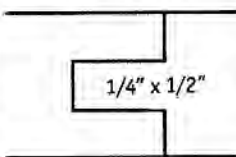
Profiled Cabinet Door Sets

Bore		Each
$1\ 1/4"$	Carbide	\$894
$1\ 1/4"$	T-Alloy	\$929

(Price includes both tenon and stile cutters)

$3/4"$ to $1\ 1/8"$ material

FRE BIC 10-500
FRE BIT 10-500



Shaker Cabinet Door Sets

Bore		Each
$1\ 1/4"$	Carbide	\$844
$1\ 1/4"$	T-Alloy	\$879

(Price includes both tenon and stile cutters)

MANUFACTURED IN U.S.A.

www.weaver-company.com

Phone 1-913-831-1800

CALL TOLL FREE 1-800-255-6214

Fax 1-913-831-2974

Copyright © 2022 all Rights Reserved

WEAVER COMPANY - 1108 SOUTH 37TH STREET - KANSAS CITY, KS 66106 USA

- 95 -

IPAGES-CU-SR-BT-F

Jan 2022 - 95



Manufactured
In U.S.A.

Cabinet Door Cutter Sets

Insert Cutters Sets - Easement Tips

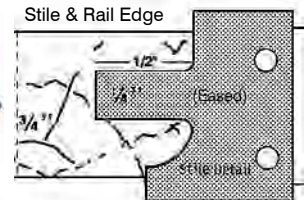
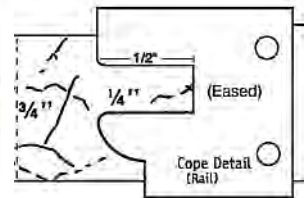
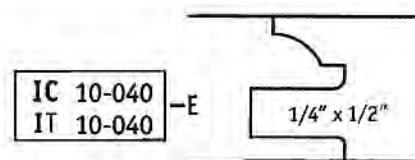
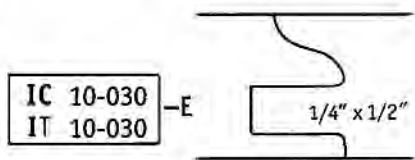
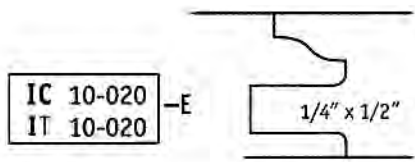
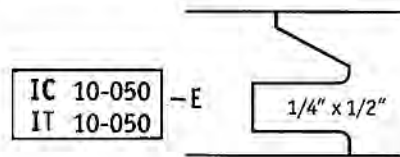
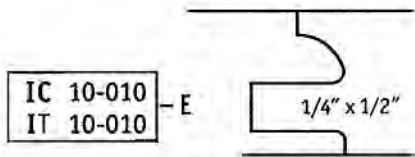
WEAVER
FREEBORN

Cope & Pattern $3/4"$ to $1\ 1/8"$ Material

$1\ 1/4"$ bore, $3\ 1/2"$ bearing, $4\ 1/2"$ OD Stile & Tenon
C-Carbide, T-T-Alloy

IC means $1\ 1/4"$ bore, Carbide Set

IT means $1\ 1/4"$ bore T-Alloy Set

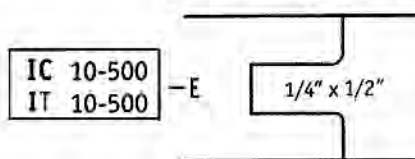


Profiled Cabinet Door Sets

Bore		Each
$1\ 1/4"$	Carbide	\$794
$1\ 1/4"$	T-Alloy	\$888

(Price includes both tenon and stile cutters)

$3/4"$ to $1\ 1/8"$ material



Shaker Cabinet Door Sets

Bore		Each
$1\ 1/4"$	Carbide	\$794
$1\ 1/4"$	T-Alloy	\$888

(Price includes both tenon and stile cutters)

Phone 1-913-831-1800

CALL TOLL FREE 1-800-255-6214

www.weaver-company.com
Fax 1-913-831-2974

- 96 -

WEAVER COMPANY - 1108 SOUTH 37TH STREET - KANSAS CITY, KS 66106 USA

Copyright © 2022 all Rights Reserved

PAGES-CU-SR-BT-F



Cabinet Door Cutter Sets

Insert Cutters Sets - Non-Easement Tips

WEAVER
FREEBORN

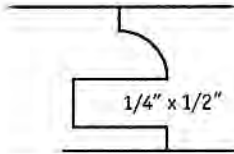
Cope & Pattern $3/4"$ to $1\ 1/8"$ Material

$1\ 1/4"$ bore, $3\ 1/2"$ bearing, $4\ 1/2"$ OD Stile & Tenon
C-Carbide, T-T-alloy

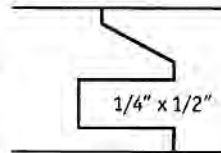
IC means $1\ 1/4"$ bore, Carbide Set

IT means $1\ 1/4"$ bore T-Alloy Set

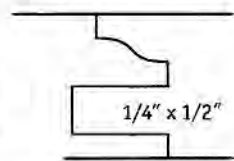
IC 10-010
IT 10-010



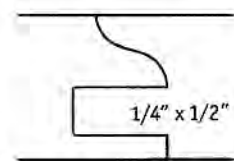
IC 10-050
IT 10-050



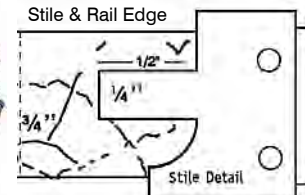
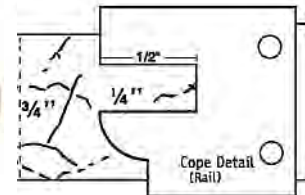
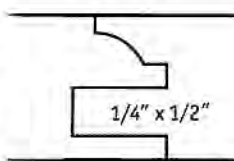
IC 10-020
IT 10-020



IC 10-030
IT 10-030



IC 10-040
IT 10-040



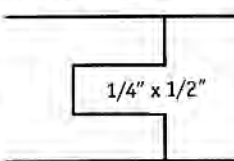
Profiled Cabinet Door Sets

Bore		Each
$1\ 1/4"$	Carbide	\$794
$1\ 1/4"$	T-Alloy	\$888

(Price includes both tenon and stile cutters)

$3/4"$ to $1\ 1/8"$ material

IC 10-500
IT 10-500



Shaker Cabinet Door Sets

Bore		Each
$1\ 1/4"$	Carbide	\$794
$1\ 1/4"$	T-Alloy	\$888

(Price includes both tenon and stile cutters)

MANUFACTURED IN U.S.A.

www.weaver-company.com

Phone 1-913-831-1800

CALL TOLL FREE 1-800-255-6214

Fax 1-913-831-2974

Copyright © 2022 all Rights Reserved

WEAVER COMPANY - 1108 SOUTH 37TH STREET - KANSAS CITY, KS 66106 USA

- 97 -

IPAGES-CU-SR-BT-F

Jan 2022 - 97



Manufactured
In U.S.A.

Cabinet Door Cutter Sets

WEAVER

Insert Cutters Sets - Multiple Profile Insert Cope & Pattern Heads

FREEBORN



Multiple Profile Insert Cope & Pattern Heads

Bore		Each
1 1/4"	Carbide	\$794
1 1/4"	T-Alloy	\$888

(Price includes both tenon and stile cutters with choice of first set of profiles installed.)

Multiple Profile Insert Cope & Pattern Heads

Accepts the following "in-Stock" Profiles:

1/4" x 1/2"	1/4" x 1/2"	1/4" x 1/2"	1/4" x 1/2"
Carbide, Non-Eased: T-Alloy, Non-Eased:	FRE-U-IC-10-020 FRE-U-IT-10-020	FRE-U-IC-10-030 FRE-U-IT-10-030	FRE-U-IC-10-040 FRE-U-IT-10-040
			FRE-U-IC-10-050 FRE-U-IT-10-050
1/4" x 1/2"	1/4" x 1/2"	1/4" x 1/2"	1/4" x 3/8"
Carbide, Eased: T-Alloy, Eased:	FRE-U-IC-10-020-E FRE-U-IT-10-020-E	FRE-U-IC-10-030-E FRE-U-IT-10-030-E	FRE-U-IC-10-040-E FRE-U-IT-10-040-E
			FRE-U-IC-10-050-E FRE-U-IT-10-050-E

Eased edges available. 1-1/4" Bore.,
4-1/2" Outside Diameter. Carbide &
T-Alloy tips.

\$794 per set with your first set of tips
installed.

MANUFACTURED IN U.S.A.

Phone 1-913-831-1800

CALL TOLL FREE 1-800-255-6214

www.weaver-company.com

Fax 1-913-831-2974

- 98 -

WEAVER COMPANY - 1108 SOUTH 37TH STREET - KANSAS CITY, KS 66106 USA

Copyright © 2022 all Rights Reserved



Manufactured
In U.S.A.

CABINET DOOR CUTTER SETS

WEAVER

Easement Cabinet Door Stile & Rail

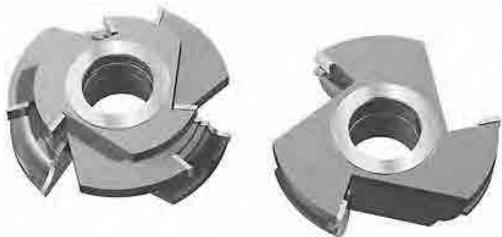
Solid Body Carbide Tipped Shaper Cutters

CABINET DOOR SETS

(1 1/4" Bore - 4" Outer Diameter - 3" Minor Diameter)

(FOR 3/4" to 7/8" STOCK)

(counter clockwise face down)

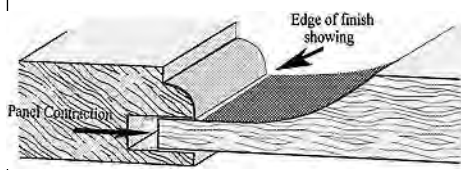


The Easement Cabinet Door Cutters are used to solve stain and finish problems.

With the cutter profile having a slight radius where the panel meets the stile, the stain or finish can work its way under the stile. Thus, movement from panel contraction will not expose the unfinished part of the panel as readily as traditional cabinet door cutting.

the problem

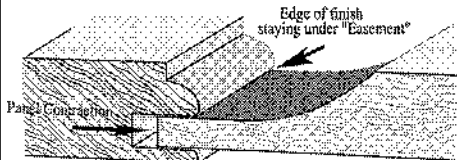
Edge of finish showing due to panel contraction



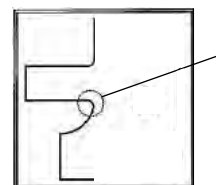
Traditional Cut

the solution

Edge of finish not exposed since it is also under the easement lip.

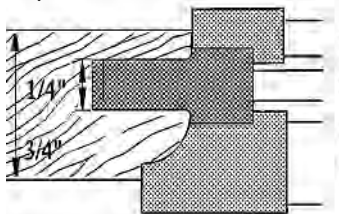


Easement Cut



"Easement" tips have a small radius where required for stain relief (or designated as eased edges.)

Quarter Round



(Price includes both tenon and stile cutters)

Item#

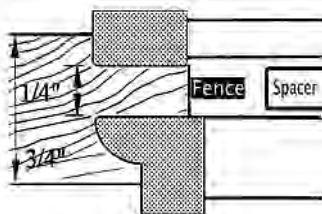
FRE9016EF1

Wings

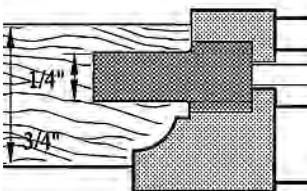
3

Price

\$999



Bead



(Price includes both tenon and stile cutters)

Item#

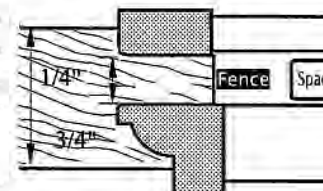
FRE9026EF1

Wings

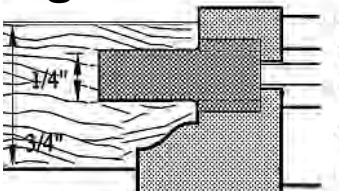
3

Price

\$999



Ogee



(Price includes both tenon and stile cutters)

Item#

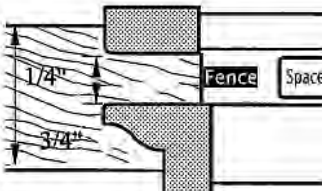
FRE9036EF1

Wings

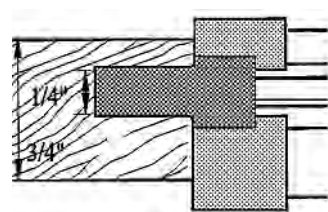
3

Price

\$999



Shaker



Square Edge 3/4" to 7/8" Shaker Cabinet Door Sets
(Price includes both tenon and stile cutters)

Item#

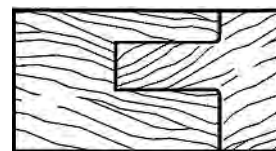
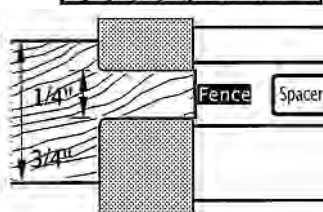
FRE9206EF1

Wings

3

Price

\$999



C9206EF1

IPAGES-CU-CD-SR-BT-E

MANUFACTURED IN U.S.A.

www.weaver-company.com

Phone 1-913-831-1800

CALL TOLL FREE 1-800-255-6214

Fax 1-913-831-2974

Copyright © 2022 all Rights Reserved

WEAVER COMPANY - 1108 SOUTH 37TH STREET - KANSAS CITY, KS 66106 USA

- 99 -



Manufactured
In U.S.A.

CABINET DOOR CUTTER SETS

WEAVER

Solid Body Carbide Tipped Shaper Cutters



Price includes both tenon and stile cutters

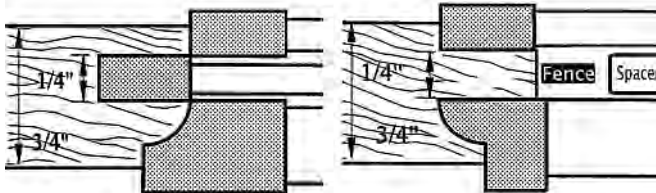
CABINET DOOR SETS

(1/4" Bore - 4" Outer Diameter - 3" Minor Diameter)

(FOR 3/4" to 7/8" STOCK)

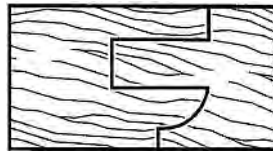
(counter clockwise face down)

Quarter Round

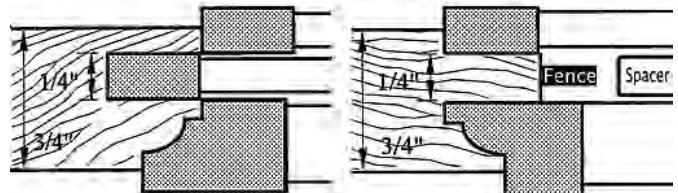


(Price includes both tenon and stile cutters)

Item#	Wings	Price
FRE9016F1	3	\$999

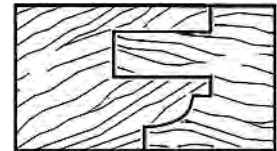


Bead

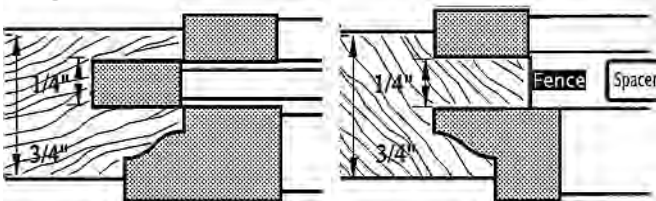


(Price includes both tenon and stile cutters)

Item#	Wings	Price
FRE9026F1	3	\$999



Ogee

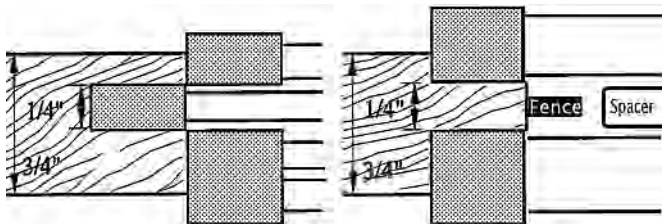


(Price includes both tenon and stile cutters)

Item#	Wings	Price
FRE9036F1	3	\$999

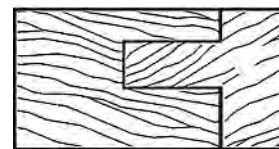


Shaker



Square Edge 3/4" to 7/8" Shaker Cabinet Door Sets
(Price includes both tenon & stile cutters.)

Item#	Wings	Price
FRE9207F1	3 & 2	\$999



C9207F1

MANUFACTURED IN U.S.A.

Phone 1-913-831-1800

CALL TOLL FREE 1-800-255-6214

Fax 1-913-831-2974

- 100 -

WEAVER COMPANY - 1108 SOUTH 37TH STREET - KANSAS CITY, KS 66106 USA

Copyright © 2022 all Rights Reserved



Manufactured
In U.S.A.

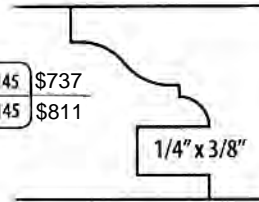
Cope & Pattern, Window Sash Cutter Sets

WEAVER FREEBORN

1" to 1-3/8" material

Cope & Pattern

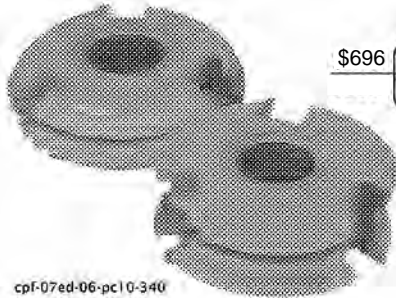
\$626	M C 50-145	P C 10-145	\$737
		P T 10-145	\$811



FC07-05 -pc10-345

Double Sided Cope & Pattern (6 Cutter Sets)

Standard sets cut 1/4" wide x 3/8" deep tongue and groove.



cpf-07ed-06-pc10-340

MINI-PRO cutters

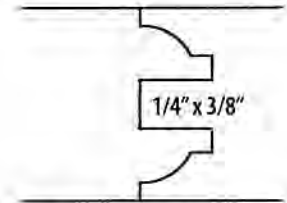
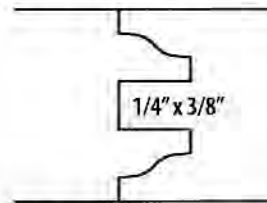
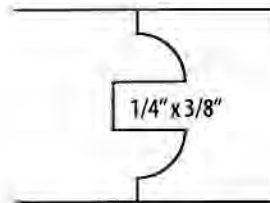
3 wing 2-15/16" diameter
3/4" bore Runs with a 2-3/16"
diam. rub bearing

PRO-LINE cutters

3 wing 4" diameter
1-1/4" bore Runs with a 3-1/4"
diam. rub bearing

1" to 1-1/4" material

\$696	M C 50-310	P C 10-310	\$799	\$696	M C 50-320	P C 10-320	\$799	\$696	M C 50-340	P C 10-340	\$799
		P T 10-310	\$879			P T 10-320	\$879			P T 10-340	\$879



Window Sash Cutter Set (4 Cutter Set)

\$581	M C 67-010	P C 27-010	\$684
		P T 27-010	\$753

\$581	M C 67-020	P C 27-020	\$684
		P T 27-020	\$753

MINI-PRO cutters

3 wing 2-15/16" diameter
3/4" bore

PRO-LINE cutters

3 wing 4" diameter
1-1/4" bore

These window sash profiles are common in many older homes. They are made to cut stock up to 1-3/4".

Counterclockwise rotation with wood fed face down.

cpf-07ed-18p0

MANUFACTURED IN U.S.A.

www.weaver-company.com

Phone 1-913-831-1800

CALL TOLL FREE 1-800-255-6214

Fax 1-913-831-2974

Copyright © 2022 all Rights Reserved

WEAVER COMPANY - 1108 SOUTH 37TH STREET - KANSAS CITY, KS 66106 USA

- 101 -



Manufactured
In U.S.A.

DOOR EDGE INSERT HEADS & TIPS

WEAVER Byrd

Door Edge Profile Cutter Heads & Tips

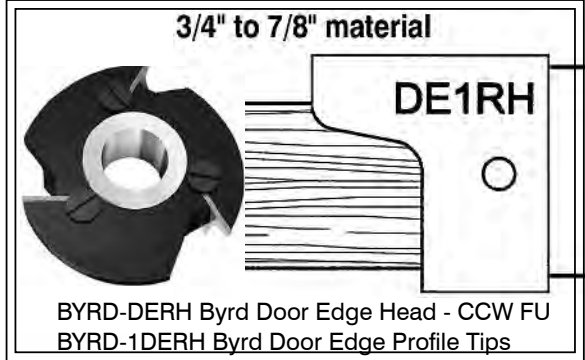
1 1/4" Bore - Counterclockwise Face Up - 3 1/2" M.D.

Insert Head

(Includes 3 tips)

\$348

Note: 3 tips required in the insert heads.



RH IS CCW-MFU	LH IS CCW-MFD
DE1RH	DE1LH
DE2RH	DE2LH
DE3RH	DE3LH
DE4RH	DE4LH
DE5RH	DE5LH

**Tip and Gib must be held
securely against the seat &
Stop Screw when tightening
the Gib Screw**

**Also, when putting in new or
sharpened knives, ensure *no*
wood chips or dust is in between
the Tip & Gib!**

MANUFACTURED IN U.S.A.

Phone 1-913-831-1800

CALL TOLL FREE 1-800-255-6214

www.weaver-company.com

Fax 1-913-831-2974

- 102 -

WEAVER COMPANY - 1108 SOUTH 37TH STREET - KANSAS CITY, KS 66106 USA

Copyright © 2022 all Rights Reserved



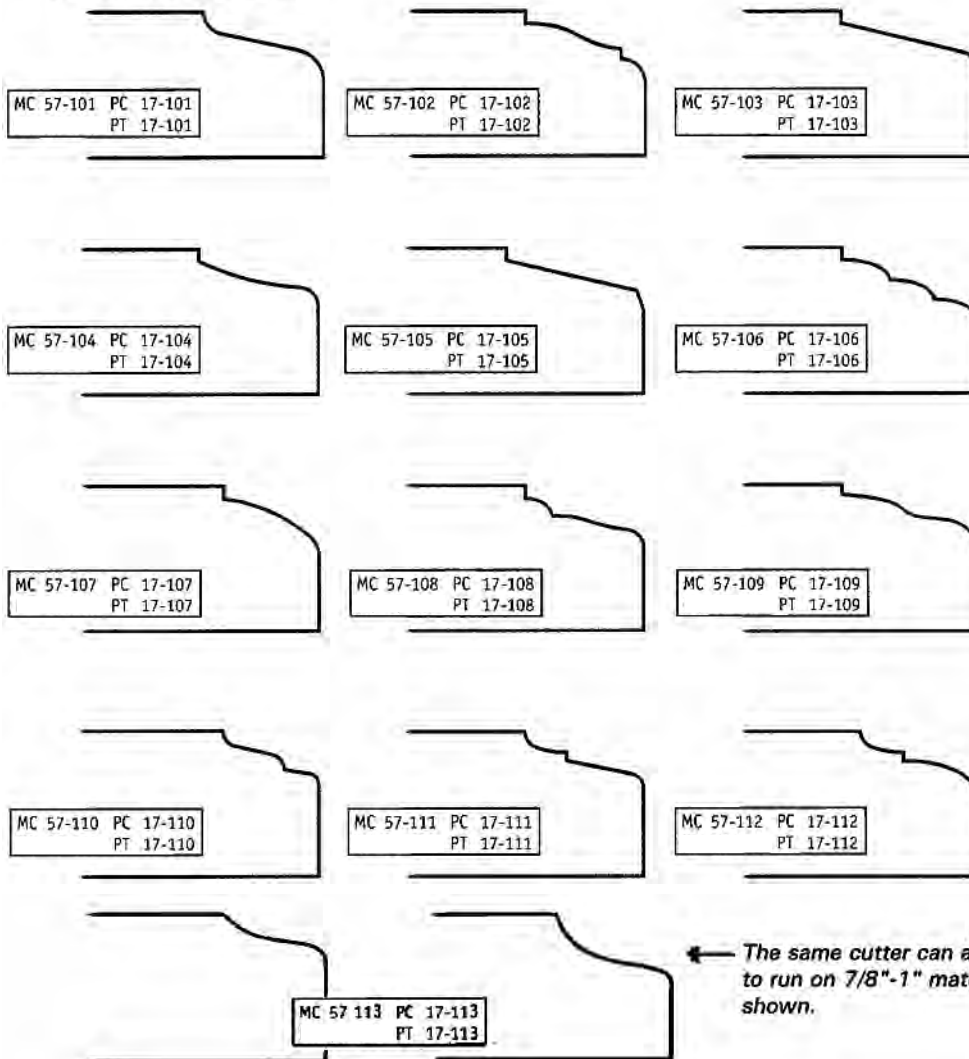
SHAPER CUTTERS

DOOR EDGE PROFILES

WEAVER
FREEBORN

Top Cutter Profile

3/4" to 7/8" material

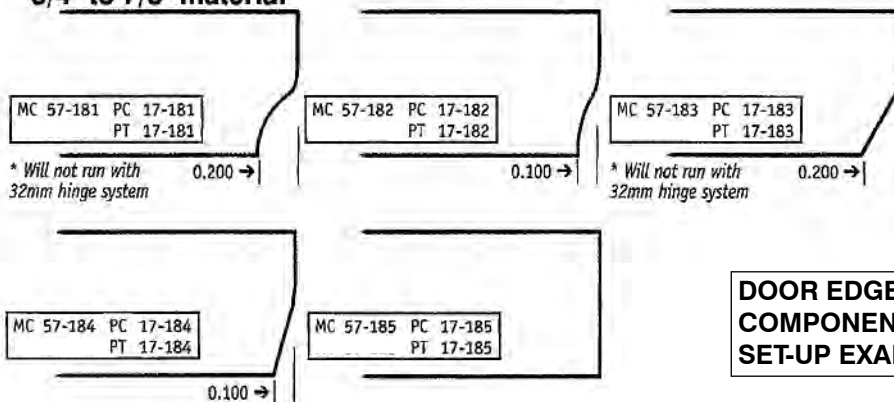


Bore		Price Each
3/4"	Carbide	\$252
1 1/4"	Carbide	\$297
1 1/4"	T-Alloy	\$327

← The same cutter can also be set-up to run on 7/8"-1" material as shown.

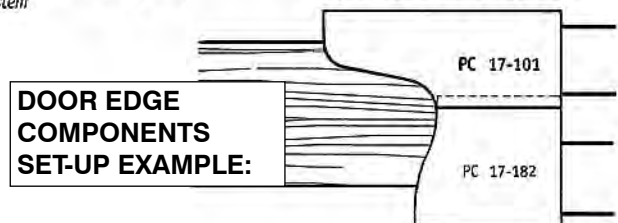
Bottom Cutter Profiles

3/4" to 7/8" material



Bore		Price Each
3/4"	Carbide	\$195
1 1/4"	Carbide	\$230
1 1/4"	T-Alloy	\$252

3/4" to 7/8" material



MANUFACTURED IN U.S.A.

www.weaver-company.com

Phone 1-913-831-1800

CALL TOLL FREE 1-800-255-6214

Fax 1-913-831-2974

Copyright © 2022 all Rights Reserved

WEAVER COMPANY - 1108 SOUTH 37TH STREET - KANSAS CITY, KS 66106 USA

- 103 -



Manufactured
In U.S.A.

SHAPER CUTTERS

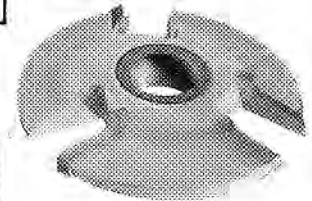
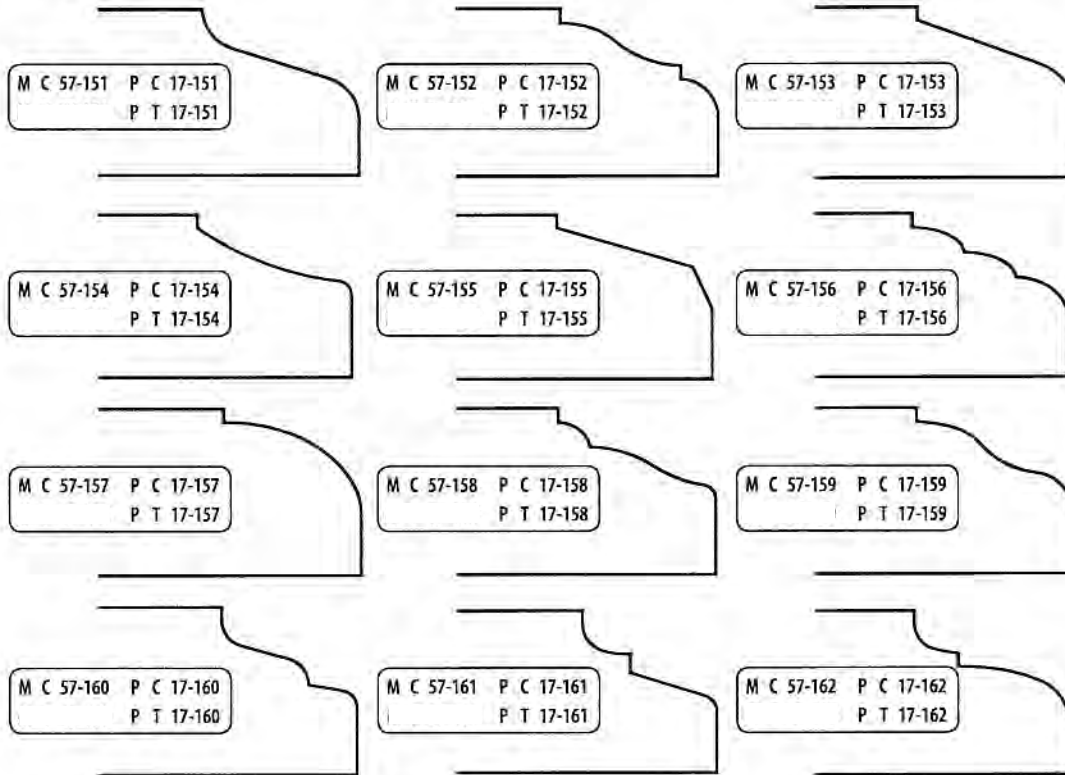
DOOR EDGE PROFILES

WEAVER
FREEBORN

TOP DOOR EDGE COMPONENTS 7/8" TO 1" MATERIAL

Top Cutter Profiles 7/8" to 1" material

Part number is for top
cutter only.



Bore		Price Each
3/4"	Carbide	\$252
1 1/4"	Carbide	\$297
1 1/4"	T-Alloy	\$327

MANUFACTURED IN U.S.A.

Phone 1-913-831-1800

CALL TOLL FREE 1-800-255-6214

Fax 1-913-831-2974

- 104 -

WEAVER COMPANY - 1108 SOUTH 37TH STREET - KANSAS CITY, KS 66106 USA

www.weaver-company.com
Copyright © 2022 all Rights Reserved



Manufactured
In U.S.A.

SHAPER CUTTERS

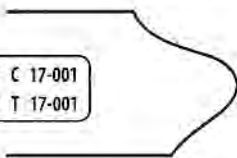
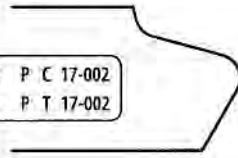
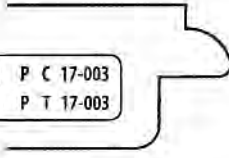
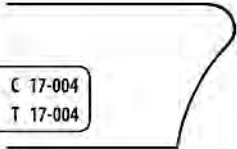
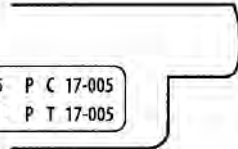
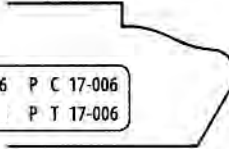
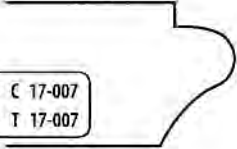
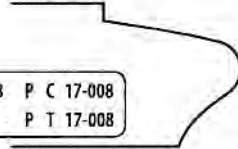
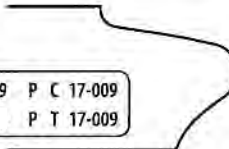
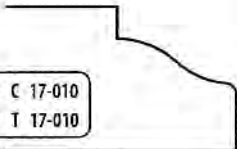

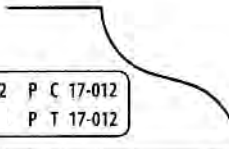
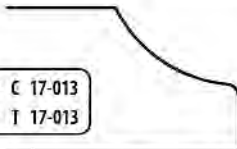
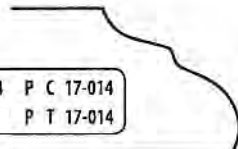
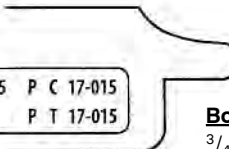
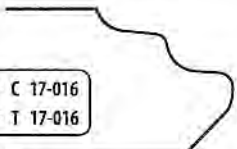
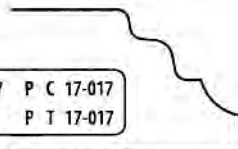
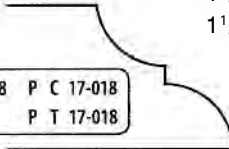
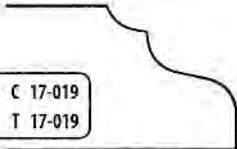
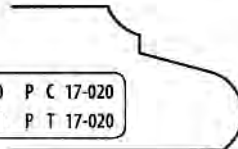
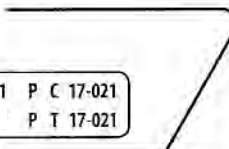
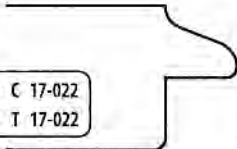
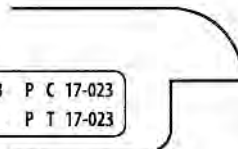
DOOR EDGE PROFILES

WEAVER

FREEBORN

Door Edge Detail Shaper Cutters

Mini Pro: 3/4" bore 1 11/16" Bearing 2 15/16" OD
Pro Line: 1 1/4" bore 2 3/4" Bearing 4" OD
M-Mini Pro, P-Pro Line, C-Carbide, T-Talloy

 M C 57-001 P C 17-001 P T 17-001	 M C 57-002 P C 17-002 P T 17-002	 M C 57-003 P C 17-003 P T 17-003
 M C 57-004 P C 17-004 P T 17-004	 M C 57-005 P C 17-005 P T 17-005	 M C 57-006 P C 17-006 P T 17-006
 M C 57-007 P C 17-007 P T 17-007	 M C 57-008 P C 17-008 P T 17-008	 M C 57-009 P C 17-009 P T 17-009
 M C 57-010 P C 17-010 P T 17-010	 M C 57-011 P C 17-011 P T 17-011	 M C 57-012 P C 17-012 P T 17-012
 M C 57-013 P C 17-013 P T 17-013	 M C 57-014 P C 17-014 P T 17-014	 M C 57-015 P C 17-015 P T 17-015
 M C 57-016 P C 17-016 P T 17-016	 M C 57-017 P C 17-017 P T 17-017	 M C 57-018 P C 17-018 P T 17-018
 M C 57-019 P C 17-019 P T 17-019	 M C 57-020 P C 17-020 P T 17-020	 M C 57-021 P C 17-021 P T 17-021
 M C 57-022 P C 17-022 P T 17-022	 M C 57-023 P C 17-023 P T 17-023	

Bore		Price Each
3/4"	- Carbide	\$252
1 1/4"	Carbide	\$297
1 1/4"	T-Alloy	\$327

All of these single piece cutters are full scale as shown. Whether it is a 30° back bevel, fingerpull, 3/8" offset, or flush overlay door, we offer a wide selection to choose from.

Counterclockwise rotation with wood fed face up.

MANUFACTURED IN U.S.A.

www.weaver-company.com

Phone 1-913-831-1800

CALL TOLL FREE 1-800-255-6214

Fax 1-913-831-2974

Copyright © 2022 all Rights Reserved

WEAVER COMPANY - 1108 SOUTH 37TH STREET - KANSAS CITY, KS 66106 USA

- 105 -

Notes



Manufactured
In U.S.A.

SHAPER CUTTERS

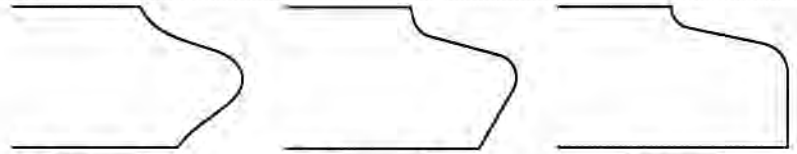
DOOR EDGE PROFILES

WEAVER
FREEBORN

PRO-LINE cutters

3 wing 4" diameter
1-1/4" bore 1" wide tips

Door Edge Detail Insert Cutters



IC17-001 \$364
IT17-001 \$386

IC17-002 \$364
IT17-002 \$386

IC17-101 \$364
IT17-101 \$386

Counterclockwise rotation with wood fed face up.

Reversible Pattern Detail

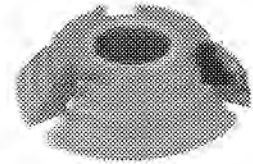
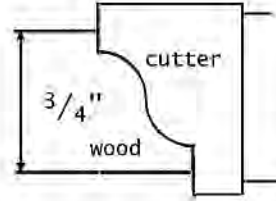
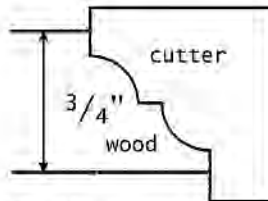
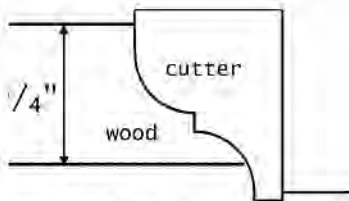
After machining two pieces of wood, one piece may be inverted and plugged into its mate, forming a matched joint.

MC61-001 PC21-001
PT21-001

MC61-002 PC21-002
PT21-002

MC61-003 PC21-003
PT21-003

MC \$211 PC \$248
PT \$272



MINI-PRO cutters

3 wing
3/4" bore 1" wide tips

PRO-LINE cutters

3 wing
1-1/4" bore 1" wide tips

Door Edge Detail Bevel Cutters

For a different angle or a wider bevel cutter than those shown, ask our custom cutter department for a quote

All bevel cutters are open body style.

22.5° Bevel

\$166	M C 57-030	P C 17-030	\$195
		P T 17-030	\$215

30° Bevel

\$166	M C 57-025	P C 17-025	\$195
		P T 17-025	\$215

45° Bevel

\$166	M C 57-027	P C 17-027	\$211
		P T 17-027	\$232

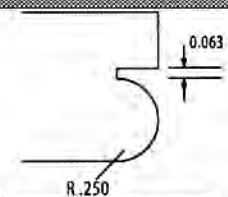
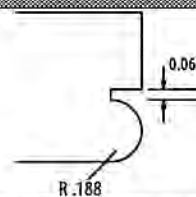
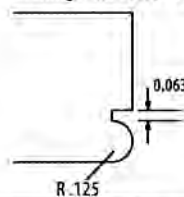
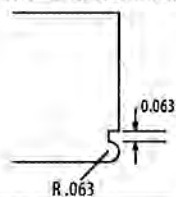
22.5° Bevel

\$166	M C 57-031	P C 17-031	\$195
		P T 17-031	\$215

MINI-PRO cutters
3 wing 3/4" bore 2-15/16" diameter

PRO-LINE cutters
3 wing 1-1/4" bore 4" diameter

Cutters



\$141 M C 57-040 P C 17-040 \$166
P T 17-040 \$183

\$141 M C 57-041 P C 17-041 \$166
P T 17-041 \$183

\$151 M C 57-042 P C 17-042 \$178
P T 17-042 \$196

\$167 M C 57-043 P C 17-043 \$196
P T 17-043 \$216

cpf-07ed-21etc-cat2013mar-113

www.weaver-company.com

Phone 1-913-831-1800
Copyright © 2022 all Rights Reserved

CALL TOLL FREE 1-800-255-6214

Fax 1-913-831-2974

WEAVER COMPANY - 1108 SOUTH 37TH STREET - KANSAS CITY, KS 66106 USA

- 107 -



Manufactured
In U.S.A.

SHAPER CUTTERS ROUNDS & GROOVERS

WEAVER
FREEBORN

MINI-PRO cutters

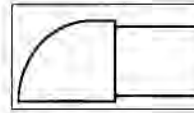
3 wing 2-15/16" diameter 3/4" bore

PRO-LINE cutters

3 wing 4" diameter 1-1/4" bore

Number				Radius
M C 60-002 \$ 99		P C 20-002 \$ 116	P T 20-002 \$ 140	3/8"
M C 60-004 \$ 120		P C 20-004 \$ 141	P T 20-004 \$ 156	1/4"
M C 60-006 \$ 141		P C 20-006 \$ 167	P T 20-006 \$ 184	3/8"
M C 60-008 \$ 158		P C 20-008 \$ 186	P T 20-008 \$ 205	1/2"
M C 60-012 \$ 196		P C 20-012 \$ 231	P T 20-012 \$ 254	3/4"

Quarter Cove Convex Cutters



Counterclockwise rotation with wood fed face down.

MINI-PRO cutters

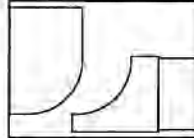
3 wing 2-15/16" diameter 3/4" bore

PRO-LINE cutters

3 wing 4" diameter (unless specified) 1-1/4" bore

Corner Rounding Shaper Cutters

Counterclockwise rotation with wood fed face down.



Number	(R = Opposite Rotation)			Radius	Diameter
M C 65-002 \$ 101		P C 25-002 \$ 119	P T 25-002 \$ 131	1/8"	4"
M C 65-002R \$ 101		P C 25-002R \$ 119	P T 25-002R \$ 131	1/8"	4"
M C 65-003 \$ 113		P C 25-003 \$ 133	P T 25-003 \$ 147	3/16"	4"
M C 65-004 \$ 120		P C 25-004 \$ 141	P T 25-004 \$ 156	1/4"	4"
M C 65-004R \$ 120		P C 25-004R \$ 141	P T 25-004R \$ 156	1/4"	4"
M C 65-005 \$ 129		P C 25-005 \$ 151	P T 25-005 \$ 167	5/16"	4"
M C 65-006 \$ 149		P C 25-006 \$ 175	P T 25-006 \$ 193	3/8"	4"
M C 65-006R \$ 185		P C 25-006R \$ 175	P T 25-006R \$ 193	3/8"	4"
M C 65-008 \$ 185		P C 25-008 \$ 217	P T 25-008 \$ 239	1/2"	4"
M C 65-010 \$ 196		P C 25-010 \$ 231	P T 25-010 \$ 254	5/8"	4"
M C 65-012 \$ 208		P C 25-012 \$ 245	P T 25-012 \$ 270	3/4"	4"



MINI-PRO cutters

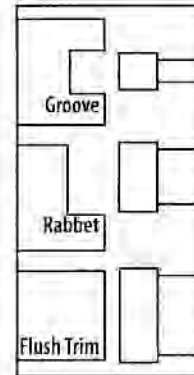
3 wing 2-15/16" diameter 3/4" bore Designed for use with 2-15/16" diam. rub bearing for flush trim application

PRO-LINE cutters

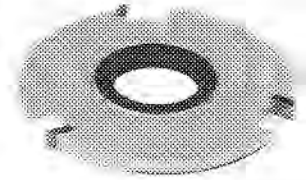
3 wing 4" diameter 1-1/4" bore Designed for use with 4" diam. rub bearing for flush trim application

Straight Top Groovers

Number				Width
M C 62-002 \$ 82		P C 22-002 \$ 99	P T 22-002 \$ 109	1/8"
M C 62-004 \$ 84		P C 22-004 \$ 99	P T 22-004 \$ 109	1/4"
M C 62-005 \$ 84		P C 22-005 \$ 99	P T 22-005 \$ 109	5/16"
M C 62-006 \$ 84		P C 22-006 \$ 99	P T 22-006 \$ 109	3/8"
M C 62-007 \$ 87		P C 22-007 \$ 103	P T 22-007 \$ 114	7/16"
M C 62-008 \$ 93		P C 22-008 \$ 110	P T 22-008 \$ 120	1/2"
M C 62-010 \$ 96		P C 22-010 \$ 113	P T 22-010 \$ 125	5/8"
M C 62-012 \$ 101		P C 22-012 \$ 118	P T 22-012 \$ 130	3/4"
M C 62-014 \$ 105		P C 22-014 \$ 124	P T 22-014 \$ 137	7/8"
M C 62-016 \$ 109		P C 22-016 \$ 128	P T 22-016 \$ 141	1"
M C 62-020 \$ 118		P C 22-020 \$ 139	P T 22-020 \$ 152	1-1/4"
M C 62-024 \$ 130		P C 22-024 \$ 153	P T 22-024 \$ 168	1-1/2"
M C 62-026 \$ 146		P C 22-026 \$ 171	P T 22-026 \$ 189	1-3/4"
M C 62-032 \$ 158		P C 22-032 \$ 186	P T 22-032 \$ 205	2"



Straight Top Groovers are ideal for cutting grooves, rabbets, and for flush trimming.



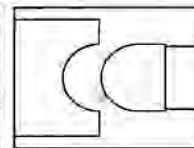
MINI-PRO cutters

3 wing 2-15/16" diameter 3/4" bore

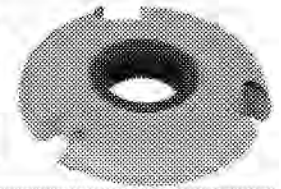
PRO-LINE cutters

3 wing 4" diameter 1-1/4" bore

Number				Width	Radius
M C 63-002 \$ 90		P C 23-002 \$ 105	P T 23-002 \$ 115	1/4"	3/8"
M C 63-003 \$ 96		P C 23-003 \$ 113	P T 23-003 \$ 124	3/8"	3/16"
M C 63-004 \$ 109		P C 23-004 \$ 128	P T 23-004 \$ 140	1/2"	1/4"
M C 63-006 \$ 120		P C 23-006 \$ 141	P T 23-006 \$ 156	3/4"	3/8"
M C 63-008 \$ 152		P C 23-008 \$ 179	P T 23-008 \$ 197	1"	1/2"



Flute



MINI-PRO cutters

3 wing 2-15/16" diameter 3/4" bore

PRO-LINE cutters

3 wing 4" diameter 1-1/4" bore

Number				Opening Width	Radius
M C 64-002 \$109		P C 24-002 \$128	P T 24-002 \$140	1/4"	1/8"
M C 64-003 \$116		P C 24-003 \$128	P T 24-003 \$151	3/8"	3/16"
M C 64-004 \$125		P C 24-004 \$147	P T 24-004 \$161	1/2"	1/4"
M C 64-006 \$232		P C 24-006 \$273	P T 24-006 \$300	3/4"	3/8"
M C 64-008 \$291		P C 24-008 \$343	P T 24-008 \$377	1"	1/2"
M C 64-009 \$304		P C 24-009 \$357	P T 24-009 \$393	1-1/8"	9/16"
M C 64-010 \$327		P C 24-010 \$385	P T 24-010 \$423	1-1/4"	5/8"
		P C 24-012 \$455	P T 24-012 \$507	1-1/2"	3/4"



Bullnose

All Concave Cutters .030" flare for easy bull nosing.



Phone 1-913-831-1800

CALL TOLL FREE 1-800-255-6214

Fax 1-913-831-2974

- 108 -

WEAVER COMPANY - 1108 SOUTH 37TH STREET - KANSAS CITY, KS 66106 USA

Copyright © 2022 All Rights Reserved



Manufactured
In U.S.A.

SHAPER CUTTERS EASING SETS

WEAVER
FREEBORN

MINI-PRO cutters

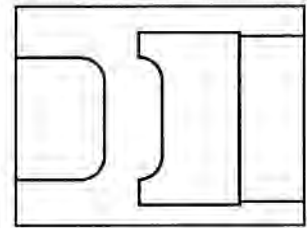
3 wing 2-15/16" diameter 3/4" bore

PRO-LINE cutters

3 wing 4" diameter 1-1/4" bore

1-Piece Double Easing Cutters

Number				Width	Radius		
M C 71-006	\$109	P C 31-006	\$128	P T 31-006	\$140	3/8"	1/8"
M C 71-008	\$116	P C 31-008	\$138	P T 31-008	\$151	1/2"	1/8"
M C 71-012	\$140	P C 31-012	\$166	P T 31-012	\$181	3/4"	1/8"
M C 71-016	\$149	P C 31-016	\$175	P T 31-016	\$193	1"	1/8"
M C 71-020	\$169	P C 31-020	\$199	P T 31-020	\$218	1-1/4"	1/8"
M C 71-024	\$181	P C 31-024	\$213	P T 31-024	\$234	1-1/2"	1/8"



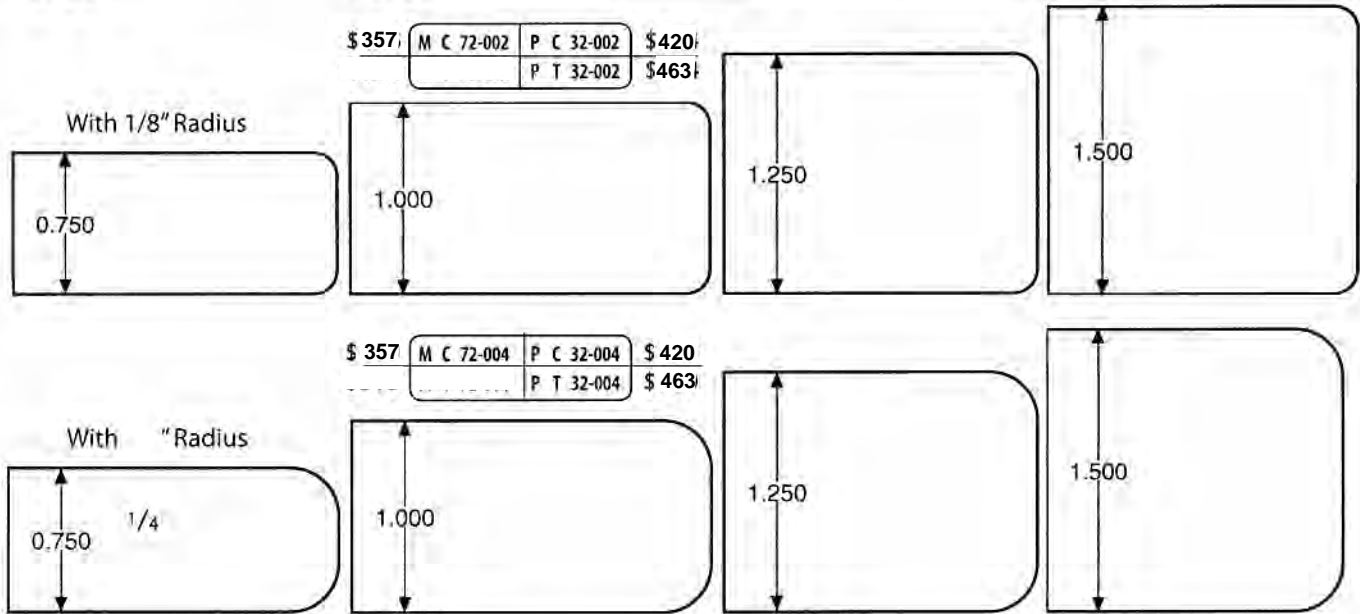
MINI-PRO cutters

3 wing 2-3/16" minor
3/4" bore

PRO-LINE cutters

3 wing 3" minor
1-1/4" bore

4-Piece Expandable Double Easing Set



Each set includes 2 cutters and 2 spacers to cut 3/4", 1", 1-1/4" and 1-1/2" material.

MINI-PRO cutters

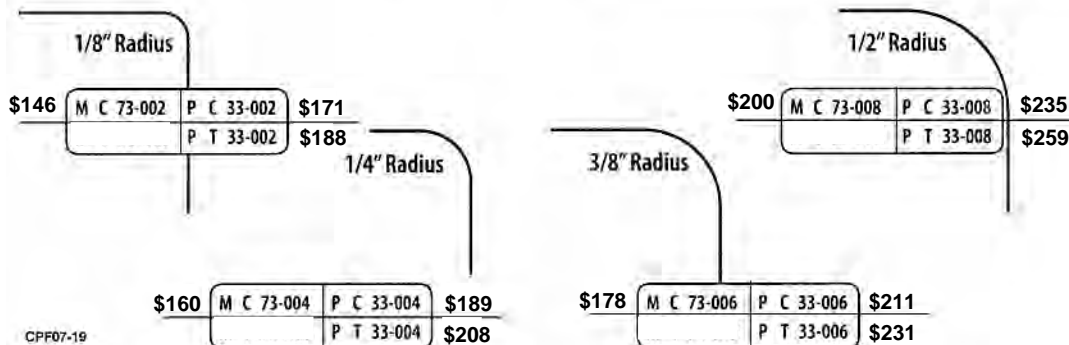
3 wing 2-15/16" diameter
3/4" bore

PRO-LINE cutters

3 wing 4" diameter
1-1/4" bore

Extended Corner Rounds

Counterclockwise
rotation with face down.
For up to 1-1/4" material.



Phone 1-913-831-1800

CALL TOLL FREE 1-800-255-6214

Fax 1-913-831-2974

Copyright © 2022 all Rights Reserved

WEAVER COMPANY - 1108 SOUTH 37TH STREET - KANSAS CITY, KS 66106 USA

- 109 -



Manufactured
In U.S.A.

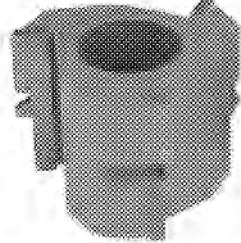
SHAPER CUTTERS

GLUE JOINT, FLOORING SET

WEAVER
FREEBORN

Reversible Glue Joint

Creates an incredibly strong joint by interlocking the glue surfaces.



MINI-PRO cutters

3 wing 2-15/16" diameter
3/4" bore 1" wide tips
Cuts from 1/2" to 7/8" material

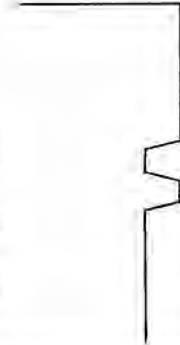
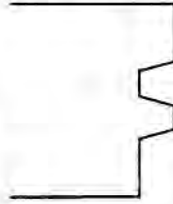
\$334 M C 58-001



PRO-LINE cutters

3 wing 2-15/16" diameter
1-1/4" bore 2" wide tips
Cuts from 1/2" to 1-7/8" material

\$392 P C 18-001
\$452 P T 18-001



5-PC. Flooring Set with Nail Slot

MINI-PRO cutters

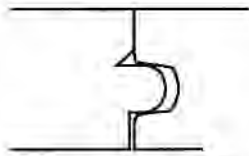
3 wing 2-15/16" diameter
3/4" bore

PRO-LINE cutters

3 wing 4" diameter
1-1/4" bore

This set includes 5 cutters to perform the cut as shown.
Counterclockwise rotation with wood fed face down. Up to 1" material

FC07-16P

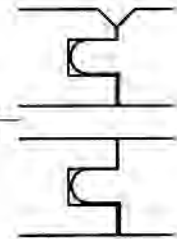


\$629 M C 59-030 P C 19-030 \$741
P T 19-030 \$815

8-PC. Flooring / V-Panel Set

1/2" material

\$629 M C 59-040 P C 19-040 \$741
P T 19-040 \$815



Notes



Manufactured
In U.S.A.

House Door Cutters

1-3/8-1-3/4 Stock (Sharp Option)

WEAVER
FREEBORN

Mini Pro: 3/4" bore 1 11/16" Bearing 2 15/16" OD
Pro Line: 1 1/4" bore 2 3/4" Bearing 4" OD
M-Mini Pro, P-Pro Line, C-Carbide, T-T-alloy

Double Sided Cope & Pattern (8 Cutter Sets)

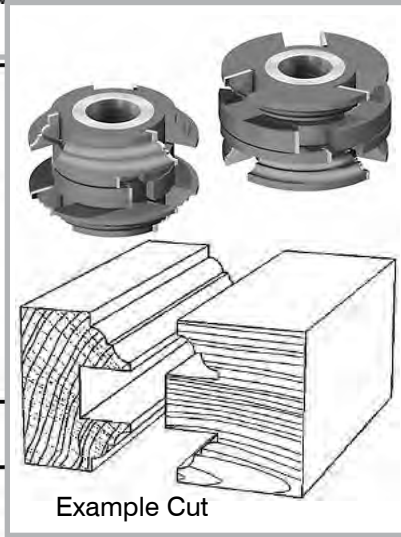
Cope & Pattern Sets

1/4" x 5/8" MC 51-011 PC 11-011 PT 11-011 1/2" x 5/8"

1/4" x 5/8" MC 51-021 PC 11-021 PT 11-021 1/2" x 5/8"

1/4" x 5/8" MC 51-030 PC 11-030 PT 11-030 1/2" x 5/8"

1/4" x 5/8" MC 51-041 PC 11-041 PT 11-041 1/2" x 5/8"



These 8 piece cutter sets are built to cut both 1 3/8" passage doors and 1 3/4" entry doors simply by changing the center cutters.

Detail Stile & Rail Set for 1-3/8-1-3/4 Stock

Description	Carbide	Alloy
3/4 Bore	\$1,082	
1-1/4 Bore	\$1,272	\$1,400

(See numbers next to profiles)

For Easement Add 20%

1/4" x 5/8" MC 51-051 PC 11-051 PT 11-051 1/2" x 5/8"

1/4" x 5/8" MC 51-060 PC 11-060 PT 11-060 1/2" x 5/8"

Square Edge Stile & Rail Set for 1-3/8-1-3/4 Stock

1/4" x 5/8" MC 51-500 PC 11-500 PT 11-500 1/2" x 5/8"

Description	Carbide	Alloy
3/4 Bore	\$855	
1-1/4 Bore	\$1,006	\$1,107

(See numbers next to profiles)

For Easement Add 20%

Phone 1-913-831-1800

CALL TOLL FREE 1-800-255-6214

Fax 1-913-831-2974

- 112 -

WEAVER COMPANY - 1108 SOUTH 37TH STREET - KANSAS CITY, KS 66106 USA

www.weaver-company.com
Copyright © 2022 all Rights Reserved



Manufactured
In U.S.A.

House Door Cutters

1-3/8-1-3/4 Stock

WEAVER
FREEBORN

Mini Pro: 3/4" bore 1 11/16" Bearing 2 15/16" OD
Pro Line: 1 1/4" bore 2 3/4" Bearing 4" OD
M-Mini Pro, P-Pro Line, C-Carbide, T-Talloy

Double Sided Cope & Pattern (8 Cutter Sets)

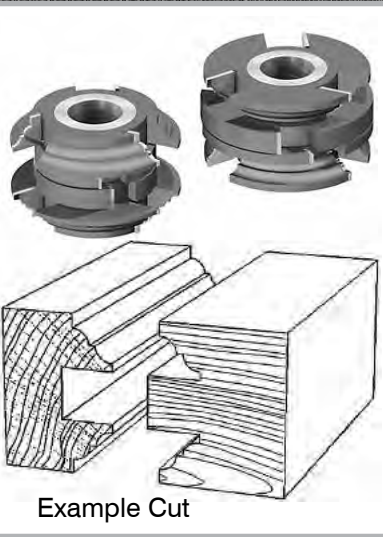
Cope & Pattern Sets

1/4" x 5/8" MC 51-010 PC 11-010 PT 11-010 1/2" x 5/8"

1/4" x 5/8" MC 51-020 PC 11-020 PT 11-020 1/2" x 5/8"

1/4" x 5/8" MC 51-030 PC 11-030 PT 11-030 1/2" x 5/8"

1/4" x 5/8" MC 51-040 PC 11-040 PT 11-040 1/2" x 5/8"



These 8 piece cutter sets are built to cut both 1 3/8" passage doors and 1-3/4" entry doors simply by changing the center cutters.

Detail Stile & Rail Set for 1-3/8-1-3/4 Stock

Description	Carbide	Alloy
3/4 Bore	\$1,082	
1-1/4 Bore	\$1,272	\$1,400

(See numbers next to profiles)

For Easement Add 20%

1/4" x 5/8" MC 51-050 PC 11-050 PT 11-050 1/2" x 5/8"

1/4" x 5/8" MC 51-060 PC 11-060 PT 11-060 1/2" x 5/8"

Square Edge Stile & Rail Set for 1-3/8-1-3/4 Stock

1/4" x 5/8" MC 51-500 PC 11-500 PT 11-500 1/2" x 5/8"

Description	Carbide	Alloy
3/4 Bore	\$855	
1-1/4 Bore	\$1,006	\$1,107

(See numbers next to profiles)

For Easement Add 20%

Phone 1-913-831-1800

CALL TOLL FREE 1-800-255-6214

Fax 1-913-831-2974

Copyright © 2022 all Rights Reserved

WEAVER COMPANY - 1108 SOUTH 37TH STREET - KANSAS CITY, KS 66106 USA

- 113 -



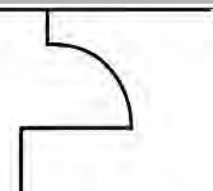
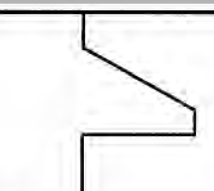
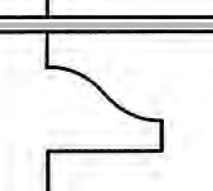
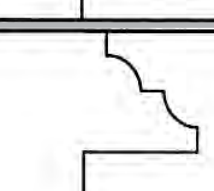
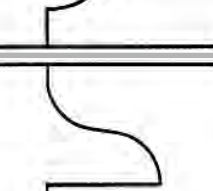
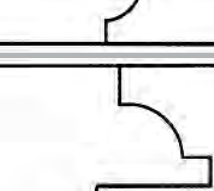

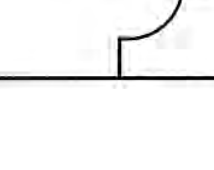
Manufactured
In U.S.A.

House Door Cutters

2-1/4" Stock (Sharp Option)

WEAVER
FREEBORN

Double Sided Cope & Pattern (10 Cutter Set for 2-1/4" Stock)

 MC 51-011 -2-1/4 PC 11-011 -2-1/4 PT 11-011 -2-1/4 1" x 5/8"	 MC 51-050 -2-1/4 PC 11-050 -2-1/4 PT 11-050 -2-1/4 1" x 5/8"
 MC 51-021 -2-1/4 PC 11-021 -2-1/4 PT 11-021 -2-1/4 1" x 5/8"	 MC 51-060 -2-1/4 PC 11-060 -2-1/4 PT 11-060 -2-1/4 1" x 5/8"
 MC 51-030 -2-1/4 PC 11-030 -2-1/4 PT 11-030 -2-1/4 1" x 5/8"	 MC 51-041 -2-1/4 PC 11-041 -2-1/4 PT 11-041 -2-1/4 1" x 5/8"
 MC 51-030 -2-1/4 PC 11-030 -2-1/4 PT 11-030 -2-1/4 1" x 5/8"	 MC 51-041 -2-1/4 PC 11-041 -2-1/4 PT 11-041 -2-1/4 1" x 5/8"

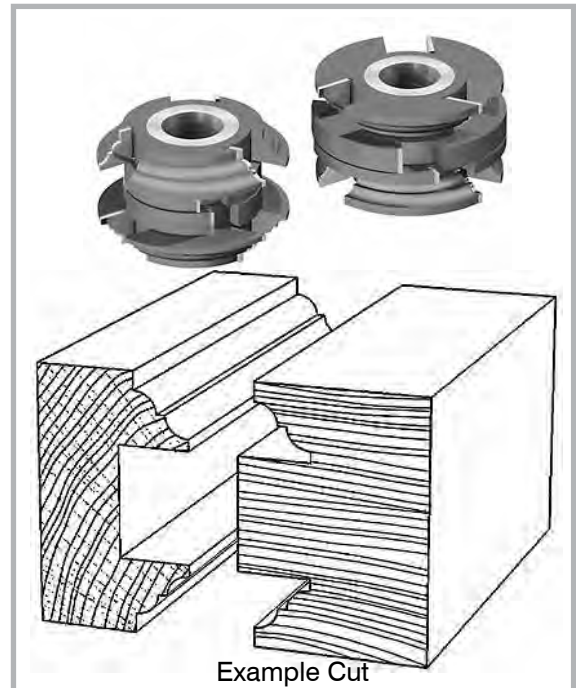
Mini Pro: 3/4" bore 1 11/16" Bearing 2 15/16" OD
Pro Line: 1 1/4" bore 2 3/4" Bearing 4" OD
M-Mini Pro, P-Pro Line, C-Carbide, T-Talloy


Stile & Rail Set for 1-3/8"-2-1/4" Stock
 (Includes Extra 1/2" Groovers - for 2-1/4" Stock)

Description	Carbide	Alloy
3/4 Bore	\$1,282	
1-1/4 Bore	\$1,472	\$1,600

(See numbers next to profiles)

For Easement Add 20%



 MC 51-500 -2-1/4 PC 11-500 -2-1/4 PT 11-500 -2-1/4 1" x 5/8"

Square Edge Stile & Rail Set
for 1-3/8"-2-1/4" Stock
 (Includes Extra 1/2" Groovers - for 2-1/4" Stock)

Description	Carbide	Alloy
3/4 Bore	\$1,055	
1-1/4 Bore	\$1,206	\$1,307

(See numbers next to profiles)

For Easement Add 20%

Phone 1-913-831-1800

CALL TOLL FREE 1-800-255-6214

Fax 1-913-831-2974

- 114 -

WEAVER COMPANY - 1108 SOUTH 37TH STREET - KANSAS CITY, KS 66106 USA

www.weaver-company.com
Copyright © 2022 All Rights Reserved

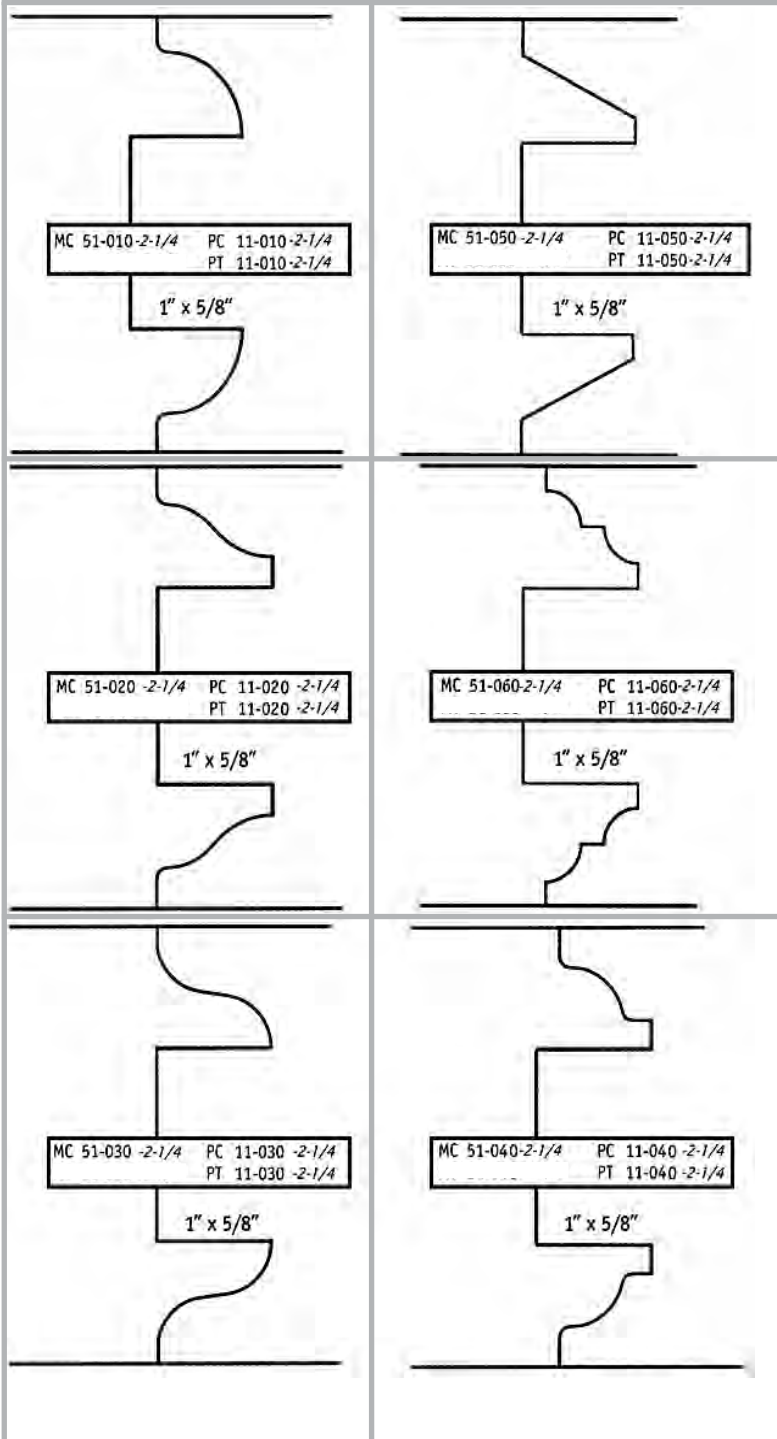


Manufactured
In U.S.A.

House Door Cutters

2-1/4" Stock

WEAVER
FREEBORN



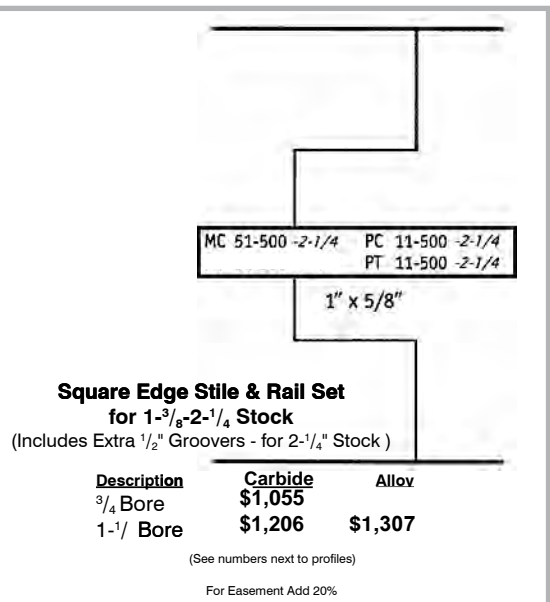
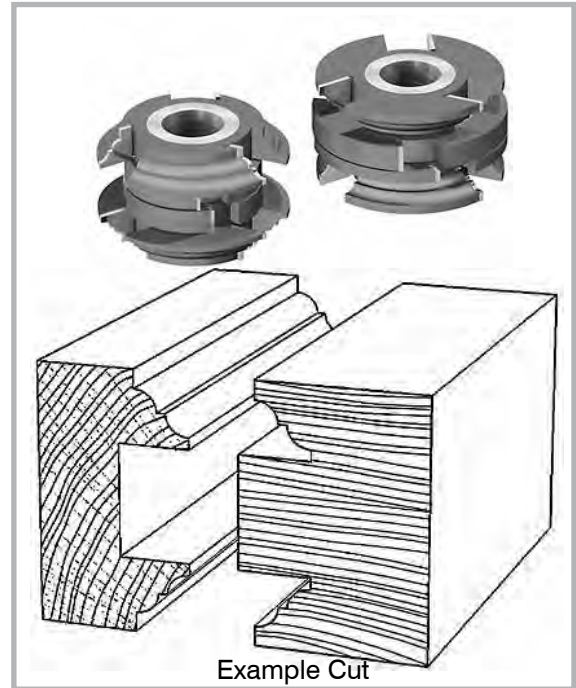
Mini Pro: 3/4" bore 1 11/16" Bearing 2 15/16" OD
Pro Line: 1 1/4" bore 2 3/4" Bearing 4" OD
M-Mini Pro, P-Pro Line, C-Carbide, T-T-alloy

Stile & Rail Set for 1-3/8"-2-1/4" Stock
(Includes Extra 1/2" Groovers - for 2-1/4" Stock)

Description	Carbide	Alloy
3/4" Bore	\$1,282	
1- Bore	\$1,472	\$1,600

(See numbers next to profiles)

For Easement Add 20%



Phone 1-913-831-1800

CALL TOLL FREE 1-800-255-6214

Fax 1-913-831-2974

Copyright © 2022 all Rights Reserved

WEAVER COMPANY - 1108 SOUTH 37TH STREET - KANSAS CITY, KS 66106 USA

- 115 -



Manufactured
In U.S.A.

House Door Cutters

Glass 1-³/₈-1-³/₄ Stock (Sharp Option)

WEAVER

FREEBORN

Glass Panel Cope & Pattern - 4 Cutter Set (includes the detail cutters & groovers for glass panel)

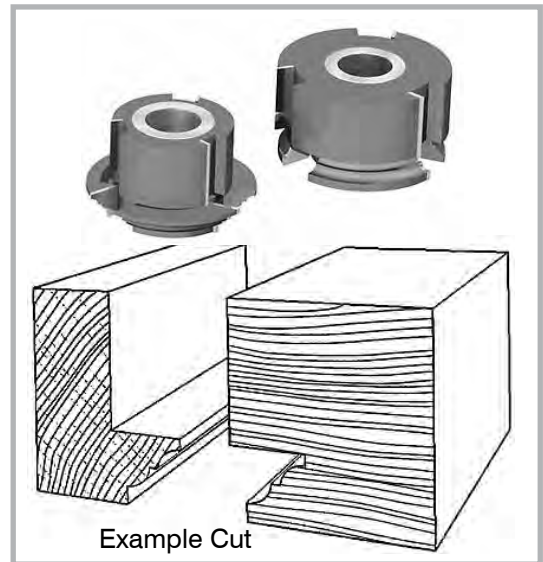
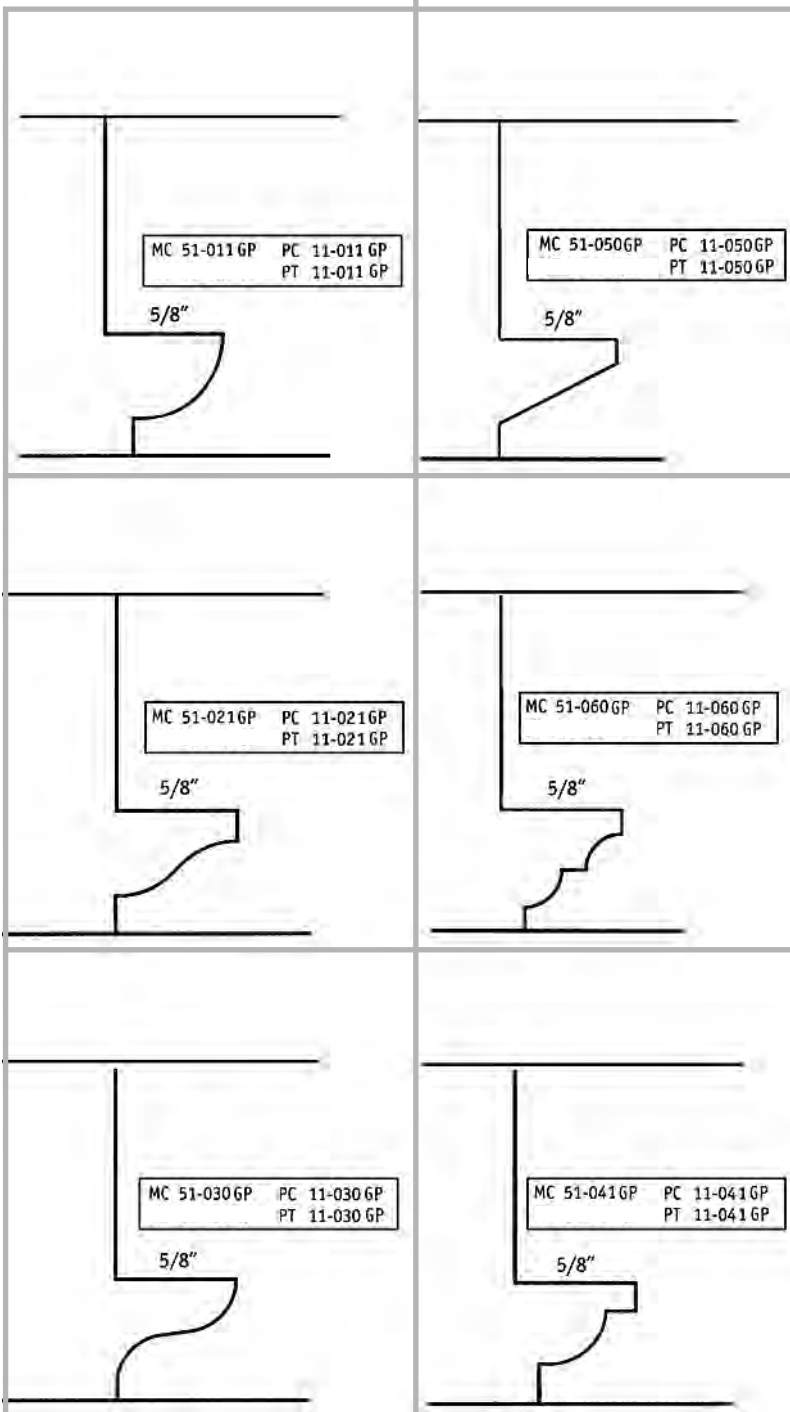
Mini Pro: ³/₄" bore 1¹/₁₆" Bearing 2¹⁵/₁₆" OD
Pro Line: 1¹/₄" bore 2³/₄" Bearing 4" OD
M-Mini Pro, P-Pro Line, C-Carbide, T-T-alloy

Glass Panel Detail Stile & Rail Set for 1-³/₈-1-³/₄ Stock

Description	Carbide	Alloy
³ / ₄ Bore	\$1,182	
1- ¹ / ₄ Bore	\$1,372	\$1,500

(See numbers next to profiles)

For Easement Add 20%



Glass Panel Square Edge Stile & Rail Set for 1-³/₈-1-³/₄ Stock

Description	Carbide	Alloy
³ / ₄ Bore	\$1,082	
1- ¹ / ₄ Bore	\$1,272	\$1,400

(See numbers next to profiles)

Phone 1-913-831-1800

CALL TOLL FREE 1-800-255-6214

Fax 1-913-831-2974

- 116 -

WEAVER COMPANY - 1108 SOUTH 37TH STREET - KANSAS CITY, KS 66106 USA

www.weaver-company.com
Copyright © 2022 all Rights Reserved



Manufactured
In U.S.A.

House Door Cutters

Glass 1-³/₈-1-³/₄ Stock

WEAVER
FREEBORN

Glass Panel Cope & Pattern - 4 Cutter Set (includes the detail cutters & groovers for glass panel)

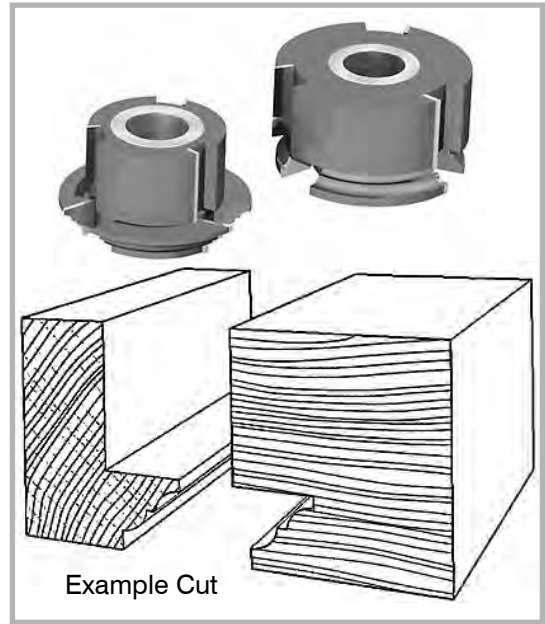
Mini Pro: ³/₄" bore 1¹¹/₁₆" Bearing 2¹⁵/₁₆" OD
Pro Line: 1¹/₄" bore 2³/₄" Bearing 4" OD
M-Mini Pro, P-Pro Line, C-Carbide, T-T-alloy

Glass Panel Detail Stile & Rail Set for 1-³/₈-1-³/₄ Stock

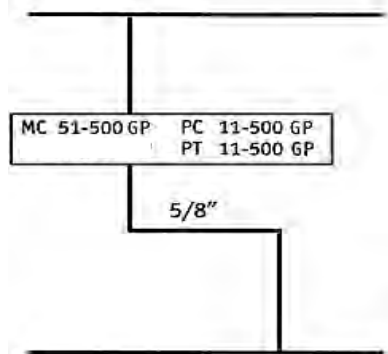
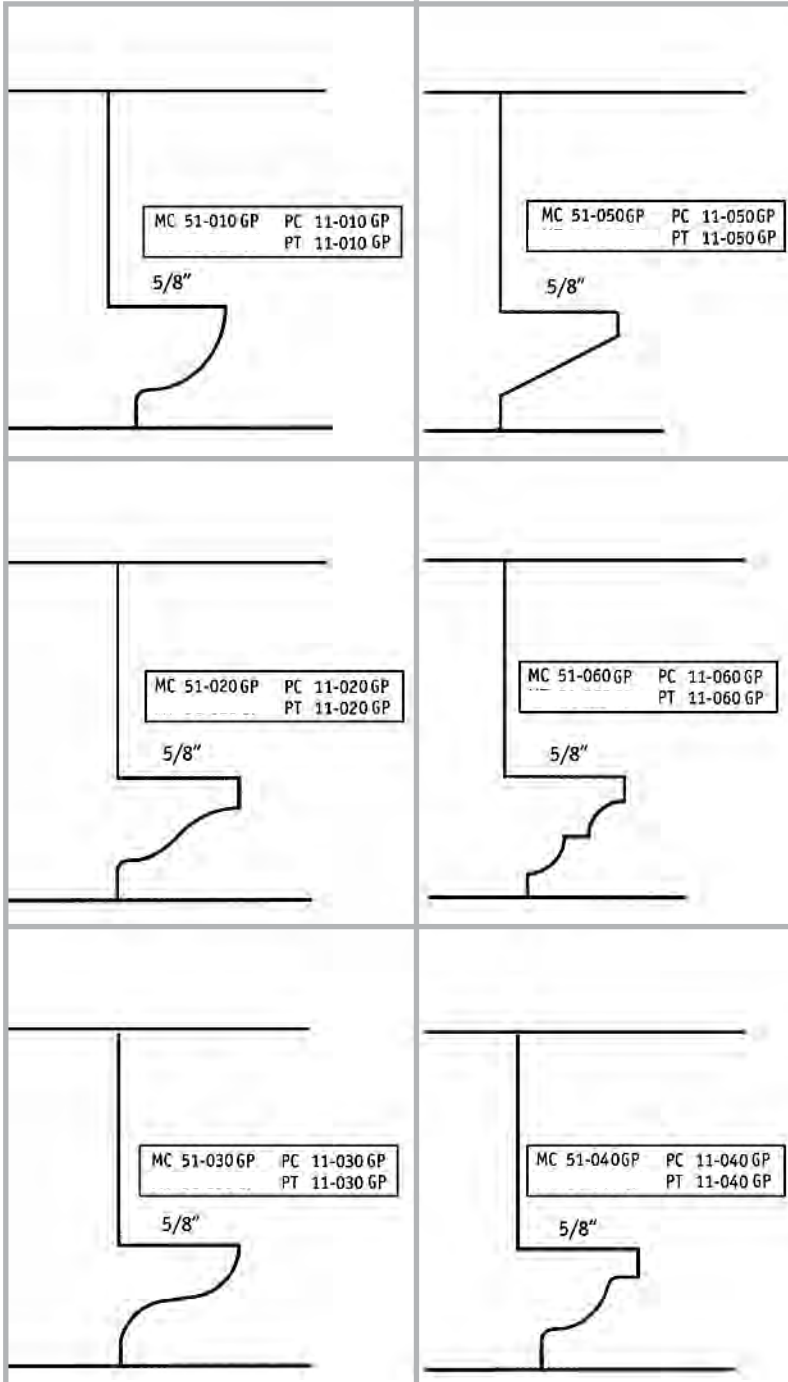
Description	Carbide	Alloy
³ / ₄ Bore	\$1,182	
1- ¹ / ₄ Bore	\$1,372	\$1,500

(See numbers next to profiles)

For Easement Add 20%



Example Cut



Glass Panel Square Edge Stile & Rail Set for 1-³/₈-1-³/₄ Stock

Description	Carbide	Alloy
³ / ₄ Bore	\$1,082	
1- ¹ / ₄ Bore	\$1,272	\$1,400

(See numbers next to profiles)

Phone 1-913-831-1800

CALL TOLL FREE 1-800-255-6214

Fax 1-913-831-2974

Copyright © 2022 all Rights Reserved

WEAVER COMPANY - 1108 SOUTH 37TH STREET - KANSAS CITY, KS 66106 USA

- 117 -



Manufactured
In U.S.A.

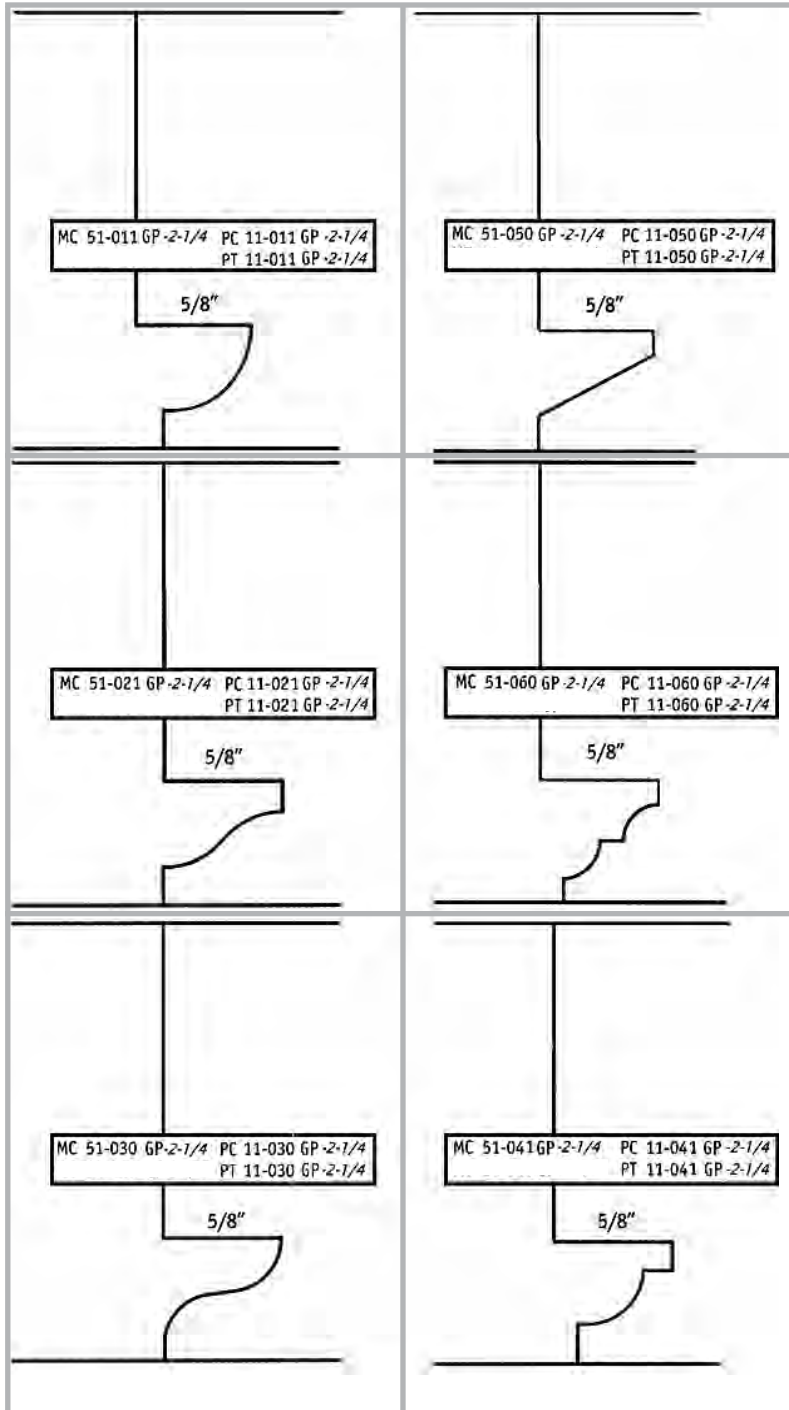
House Door Cutters

Glass 2¹/₄ Stock (Sharp Option)

WEAVER

FREEBORN

Glass Panel Cope & Pattern - 6 Cutter Set (includes the detail cutters & groovers for glass panel)



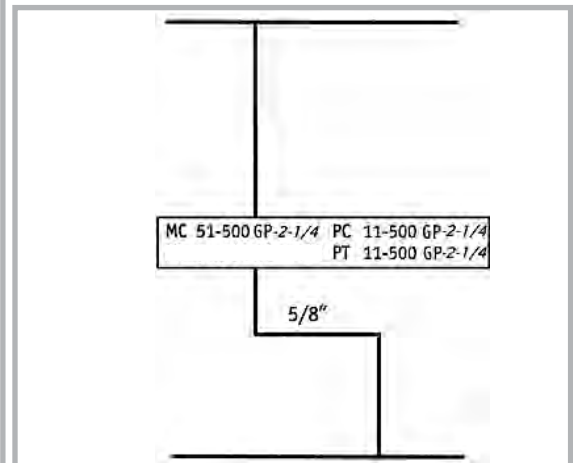
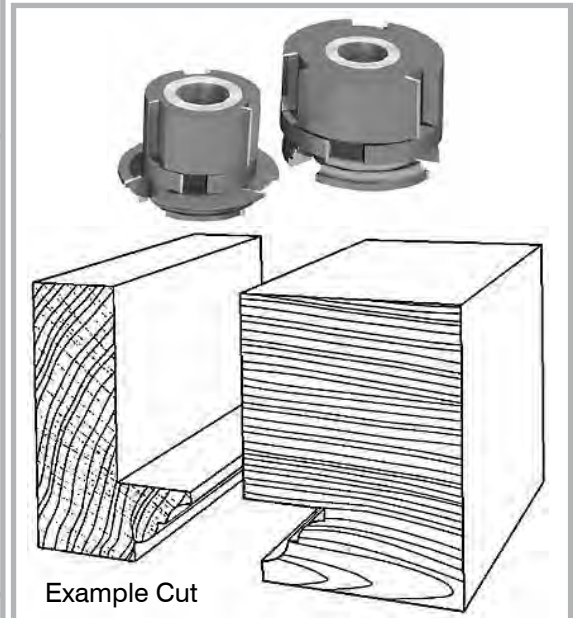
Mini Pro: 3/4" bore 1¹¹/₁₆" Bearing 2¹⁵/₁₆" OD
Pro Line: 1¹/₄" bore 2³/₄" Bearing 4" OD
M-Mini Pro, P-Pro Line, C-Carbide, T-T-alloy

Glass Panel Detail Stile & Rail Set for 1-³/₈-2-¹/₄ Stock

Description	Carbide	Alloy
3/4 Bore	\$1,182	
1-1/4 Bore	\$1,372	\$1,500

(See numbers next to profiles)

For Easement Add 20%



Glass Panel Square Edge Stile & Rail Set for 1-³/₈-2-¹/₄ Stock

Description	Carbide	Alloy
3/4 Bore	\$1,082	
1-1/4 Bore	\$1,272	\$1,400

(See numbers next to profiles)

Phone 1-913-831-1800

CALL TOLL FREE 1-800-255-6214

Fax 1-913-831-2974

- 118 -

WEAVER COMPANY - 1108 SOUTH 37TH STREET - KANSAS CITY, KS 66106 USA

www.weaver-company.com
Copyright © 2022 all Rights Reserved



Manufactured
In U.S.A.

House Door Cutters

Glass 2¹/₄ Stock Glass

WEAVER

FREEBORN

Glass Panel Cope & Pattern - 6 Cutter Set (includes the detail cutters & groovers for glass panel)

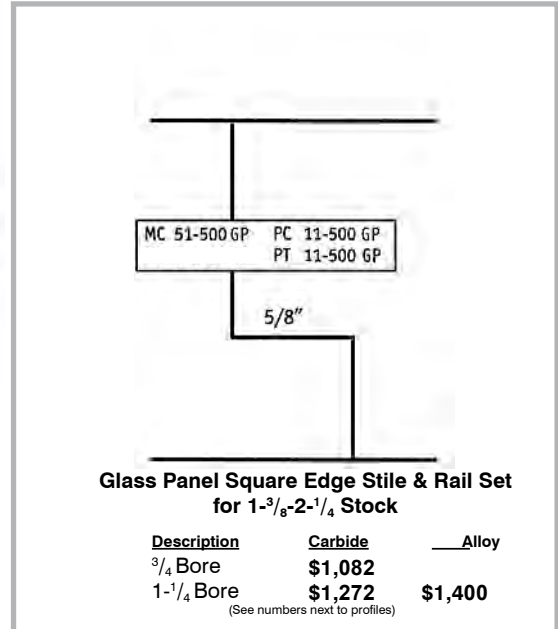
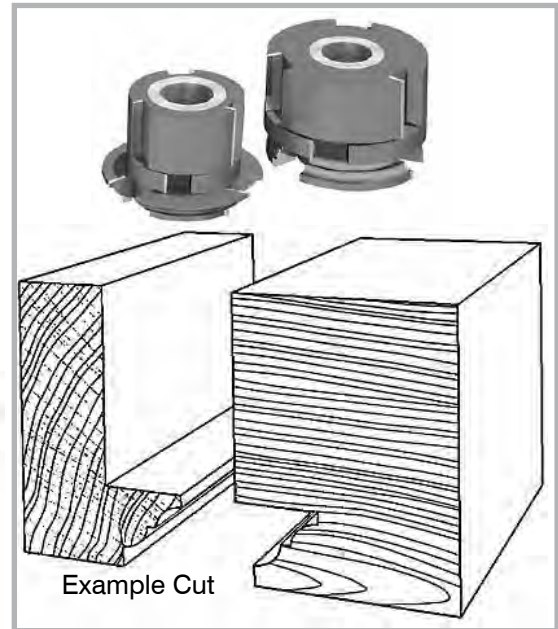
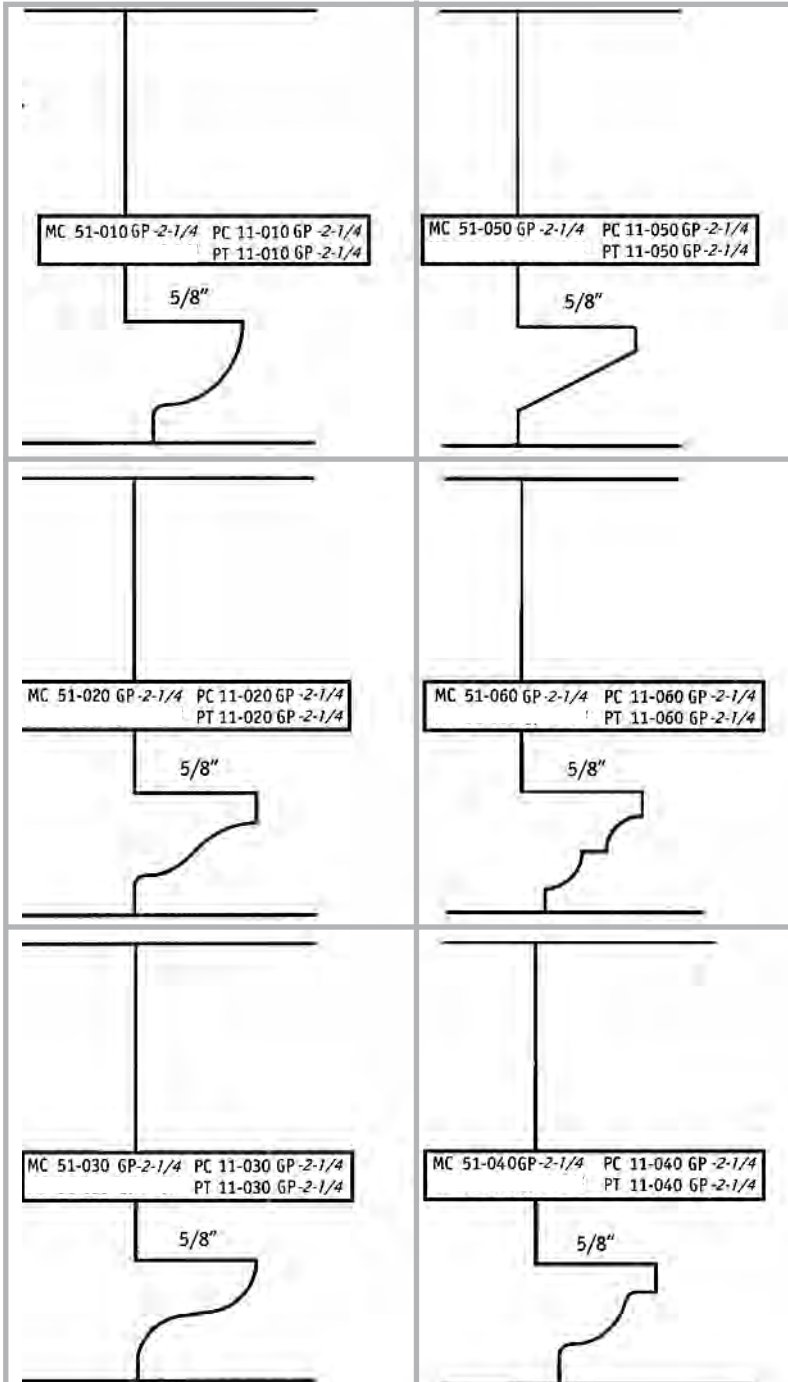
Mini Pro: 3/4" bore 1¹/₁₆" Bearing 2¹⁵/₁₆" OD
Pro Line: 1¹/₄" bore 2³/₄" Bearing 4" OD
M-Mini Pro, P-Pro Line, C-Carbide, T-T-alloy

**Glass Panel Detail Stile & Rail Set
for 1-3/8-2-1/4 Stock**

Description	Carbide	Alloy
3/4 Bore	\$1,182	
1-1/4 Bore	\$1,372	\$1,500

(See numbers next to profiles)

For Easement Add 20%



Phone 1-913-831-1800

CALL TOLL FREE 1-800-255-6214

Fax 1-913-831-2974

www.weaver-company.com

Copyright © 2022 all Rights Reserved

WEAVER COMPANY - 1108 SOUTH 37TH STREET - KANSAS CITY, KS 66106 USA

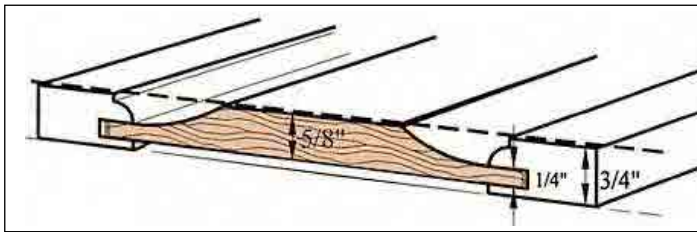
- 119 -

Shaper Cutters
While Supplies Last!

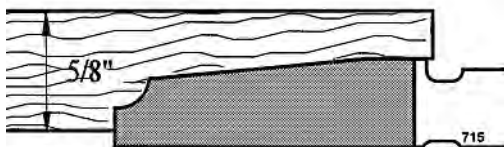
CABINET DOOR RAISED PANEL CUTTERS



$\frac{5}{8}$ " Raised Panel Cutters for Single Raise . . . for $\frac{5}{8}$ " stock. Use 2-1/4" O.D. Ball Bearing RubCollar - If you need a ball bearing rub collar, order item #BB2086 - Price \$47 (not included in cutter price)

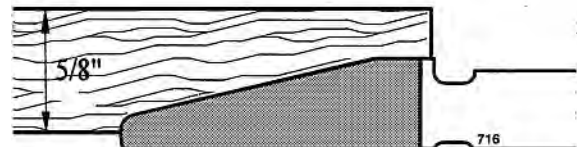


$\frac{5}{8}$ " Raised Panel Cutters for Single Raise - Stock Face Down



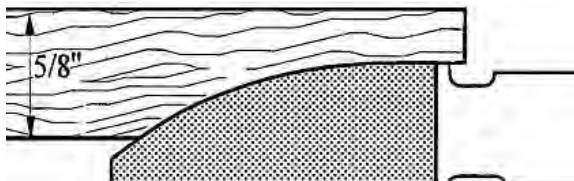
Item#	Wings	Type	Price
C7158D1	2	HSS	\$129
C7159D1	2	Carbide	\$186

"Not Recessed for Bearing"



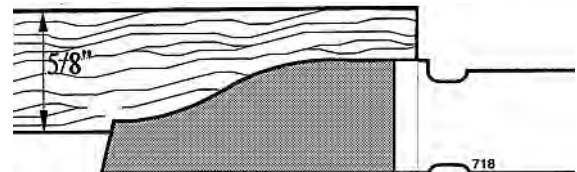
Item#	Wings	Type	Price
C7169	2	Carbide	\$186

"Recessed for Bearing"



Item#	Wings	Type	Price
C7148D1	2	HSS	\$129

"Not Recessed for Bearing"



Item#	Wings	Type	Price
C7188D1	2	HSS	\$129

"Not Recessed for Bearing"

MADE IN GERMANY

(These Raised Panel Cutters are $5\frac{1}{2}$ " Diameter, $1\frac{1}{4}$ " Bore)

Phone 1-913-831-1800

CALL TOLL FREE 1-800-255-6214

Fax 1-913-831-2974

CAT-SUP-CU-WSL - 120 -

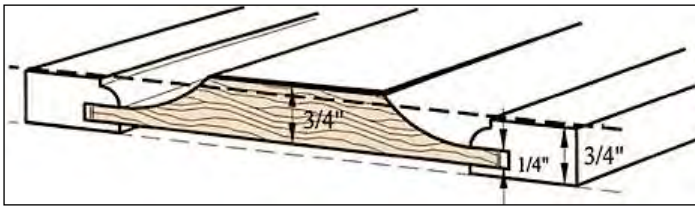
WEAVER COMPANY - 1108 SOUTH 37TH STREET - KANSAS CITY, KS 66106 USA

www.weaver-company.com
 Copyright © 2022 all Rights Reserved

RAISED PANEL CUTTERS

For 3/4" stock

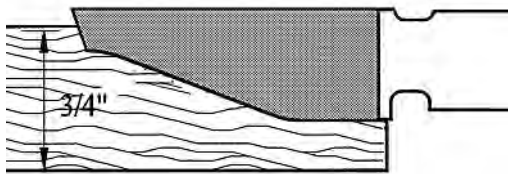
Shaper Cutters
While Supplies Last!



For 3/4" stock, face up. Use 2 1/4" O.D. Ball Bearing Rub Collar - If you need a ball bearing rub collar, order item #BB2086 - Price \$47 (not included in cutter price)



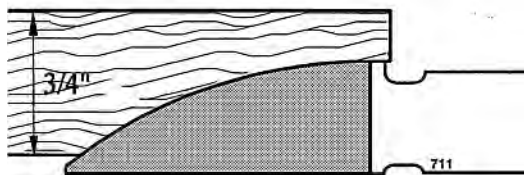
Item#	Wings	Type	Price
C7038F3	2	High Speed Steel	\$139
C7039F3	2	Carbide	\$199



Item#	Wings	Type	Price
C7078F3HD	2	High Speed Steel	\$139

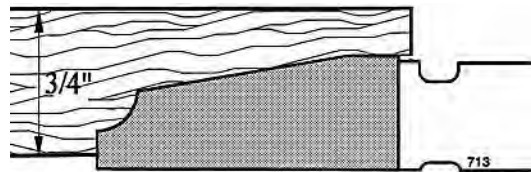
(These Raised Panel Cutters are 5 1/2" Diameter, 1 1/4" Bore)

3/4" Raised Panel Cutters for Single Raise - Stock Face Down



Item#	Wings	Type	Price
C7119F1	2	Carbide	\$199

"Not Recessed for Bearing"



Item#	Wings	Type	Price
C7138F1	2	HSS	\$139
C7139F1	2	Carbide	\$199

"No Shear"
 "Not Recessed for Bearing"

(These Raised Panel Cutters are 5 1/2" Diameter, 1 1/4" Bore)

MADE IN GERMANY

www.weaver-company.com

Phone 1-913-831-1800

CALL TOLL FREE 1-800-255-6214

Fax 1-913-831-2974

Copyright © 2022 all Rights Reserved

WEAVER COMPANY - 1108 SOUTH 37TH STREET - KANSAS CITY, KS 66106 USA

CAT-SUP-CU-WSL - 121 -

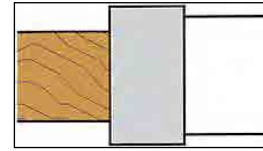
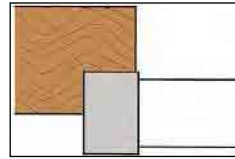
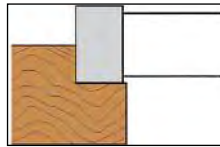
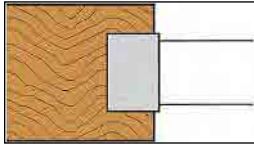
Shaper Cutters
While Supplies Last!

SQUARE EDGE CUTTERS

1 1/4 Bore



ALL SQUARE EDGE CUTTERS WILL GROOVE AND RABBET



7/32" Wide Carbide Cutters

Item#	Wings	O.D.	Width	Price
C90X9-A3-7/32	2	4"	7/32"	\$69

7/32" Wide High Speed Steel Cutters

Item#	Wings	O.D.	Width	Price
C90X8-A3-7/32	2	4"	7/32"	\$55

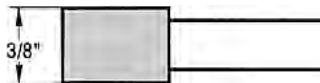


1/4" Wide Carbide Cutters

Item#	Wings	O.D.	Width	Price
C9019-B2	2	4"	1/4"	\$69

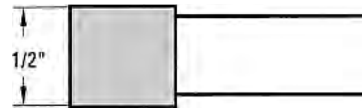
1/4" Wide High Speed Steel Cutters

Item#	Wings	O.D.	Width	Price
C8308V	2	3 1/2"	1/4"	\$55
STE.250x3.937-8	2	3 15/16"	1/4"	\$55



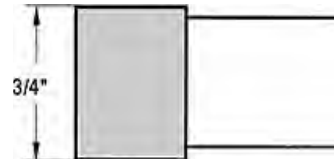
3/8" Wide High Speed Steel Cutters

Item#	Wings	O.D.	Width	Price
C8318V	2	3 1/2"	3/8"	\$60



1/2" Wide High Speed Steel Cutters

Item#	Wings	O.D.	Width	Price
C9268V	2	4"	1/2"	\$69

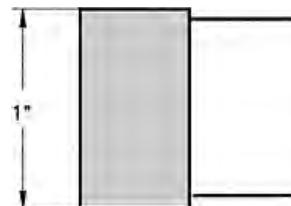


3/4" Wide Carbide Cutters

Item#	Wings	O.D.	Width	Price
C9249V	2	3 1/8"	3/4"	\$99
C9259V	2	3 7/8"	3/4"	\$99

3/4" Wide High Speed Steel Cutters

Item#	Wings	O.D.	Width	Price
C9238V	2	4"	3/4"	\$79



1" Wide High Speed Steel Cutters

Item#	Wings	O.D.	Width	Price
C8348V	2	3 1/2"	1"	\$89

MADE IN GERMANY

Phone 1-913-831-1800

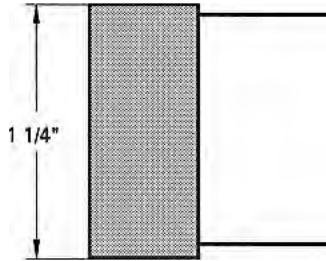
CALL TOLL FREE 1-800-255-6214

Fax 1-913-831-2974

CAT-SUP-CU-WSL - 122 -

WEAVER COMPANY - 1108 SOUTH 37TH STREET - KANSAS CITY, KS 66106 USA

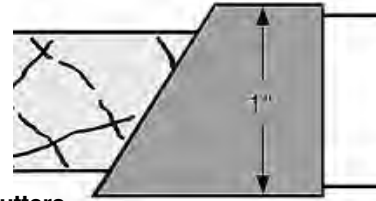
Copyright © 2022 all Rights Reserved



1-1/4" Wide High Speed Steel Cutters

Item#	Wings	O.D.	Width	Price
C8358V	2	3-1/2"	1-1/4"	\$99

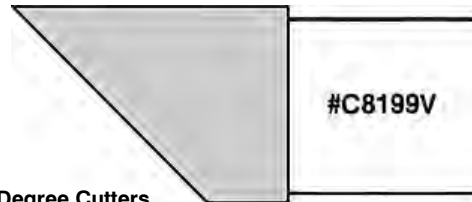
30° Cutters:



30 Degree Cutters

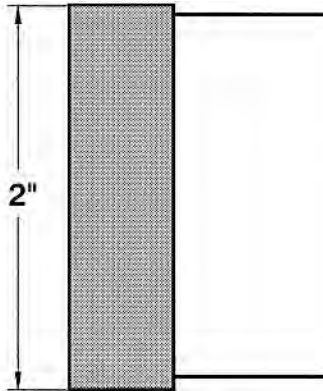
Item#	Wings	Type	O.D.	Price
C8226V	3	Carbide	3 ²⁹ / ₃₂	\$109
C8228V	2	HighSpeed Steel	3 ²⁹ / ₃₂	\$79

45° Cutters:



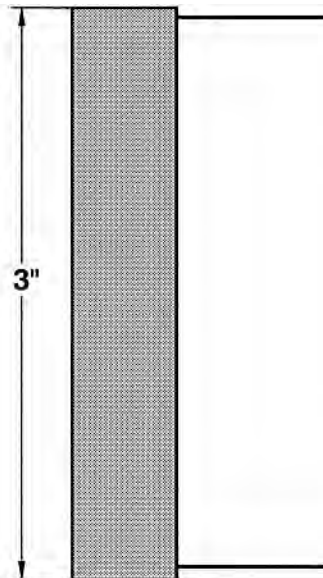
45 Degree Cutters

Item#	Wings	Type	O.D.	Price
C8196V	3	Carbide	4 ³ / ₄	\$109
C8199V	2	Carbide	4 ³ / ₄	\$99



2" Wide Carbide Cutters

Item#	Wings	O.D.	Width	Price
C8366V	3	3-1/2"	2"	\$179



3" Wide Carbide Cutters

Item#	Wings	O.D.	Width	Price
C8379V	2	3-1/2"	3"	\$229

MADE IN GERMANY

www.weaver-company.com

Phone 1-913-831-1800

CALL TOLL FREE 1-800-255-6214

Fax 1-913-831-2974

Copyright © 2022 all Rights Reserved

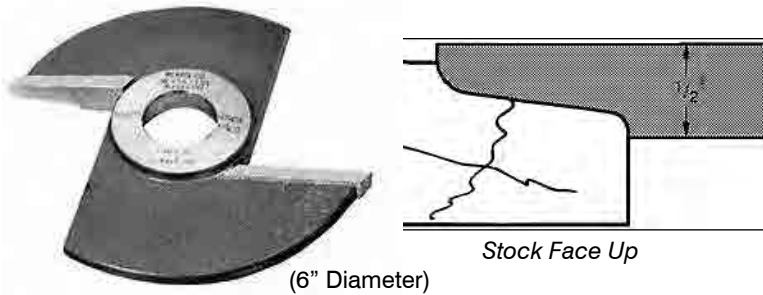
WEAVER COMPANY - 1108 SOUTH 37TH STREET - KANSAS CITY, KS 66106 USA

CAT-SUP-CU-WSL - 123 -

DRAWER FRONT RAISERS

Drawer Front Raisers

This cutter will work on any thickness of material. The design of the cutter will match beautifully with many door styles. As a special feature, this cutter bevels the outside edge of the drawer front, eliminating a step on the edge sander.

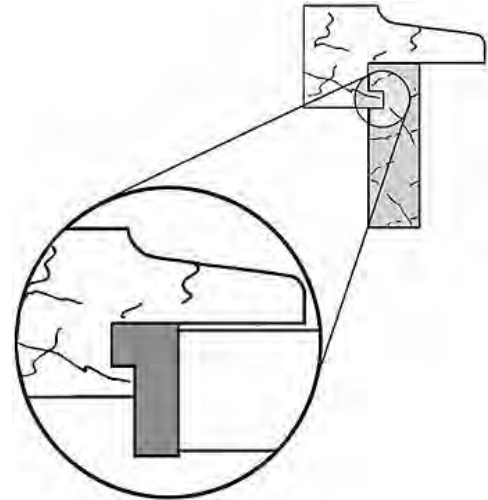


(6" Diameter)

Drawer Raising Cutters - 3/4" Bore

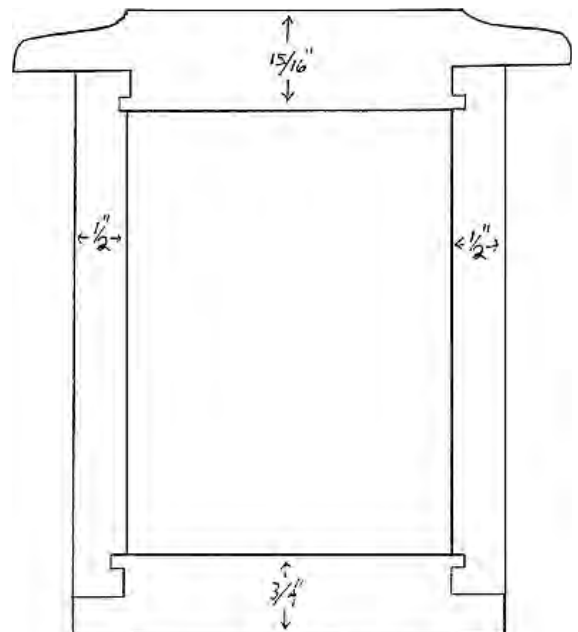
Item#	Wings	O.D.	Type	Price
C8087V3	2	6"	High Speed Steel	\$149

DRAWER LOCK CUTTERS



Drawer Lock Cutter

Item No.	O.D.	I.D.	Wings	Height	Type	Price
C8136V	5-1/4"	1 1/4"	3	3/4"	Carbide	\$175



MADE IN GERMANY

Phone 1-913-831-1800

CALL TOLL FREE 1-800-255-6214

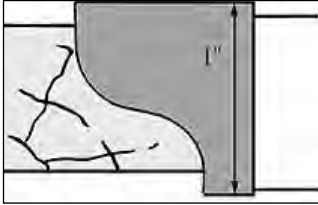
Fax 1-913-831-2974

CAT-SUP-CU-WSL - 124 -

WEAVER COMPANY - 1108 SOUTH 37TH STREET - KANSAS CITY, KS 66106 USA

Copyright © 2022 all Rights Reserved

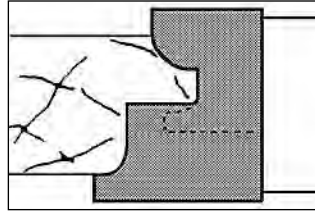
DETAIL EDGE CUTTERS



Detail Edge Cutters

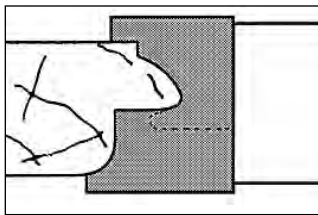
Item#	Wings	O.D.	Type	Price
C8266V	3	4"	Carbide	\$219

DOOR LIP CUTTERS



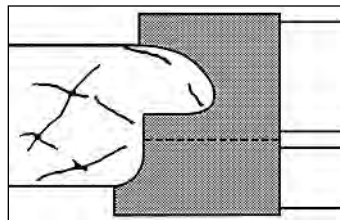
Door Lip Cutters

Item#	Wings	O.D.	Type	Price
C8928V	3	3 61/64"	HSS	\$119



Door Lip Cutters

Item#	Wings	O.D.	Type	Price
C8908V	2	3 61/64"	HSS	\$119



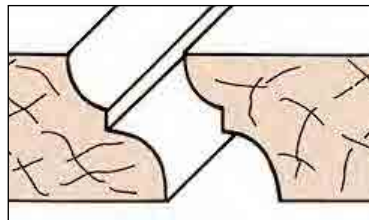
Door Lip Cutters

Item#	Wings	O.D.	Type	Price
C8938V	3	3 61/64"	HSS	\$119
C8936V	3	3 61/64"	Carbide	\$199

REVERSING CUTTERS

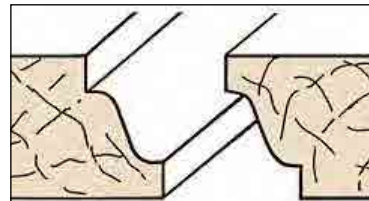
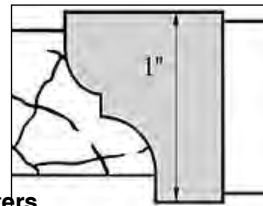


Reversing Cutters shape both the ends and the edge of the material being used. To use, shape both ends of the rail and then turn the board over and run the shape on the edge. These cutters are excellent for making English library paneling over 3/4" plywood on wall or flat panel cabinet doors.



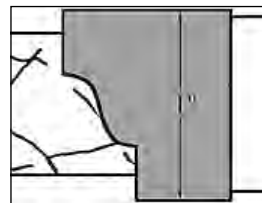
Reversing Profile Edge Cutters

Item#	Wings	O.D.	Type	Price
C8016V	3	3 3/4"	Carbide	\$249



Reversing Profile Edge Cutters

Item#	Wings	O.D.	Type	Price
C8026V	3	3-3/4"	Carbide	\$249



MADE IN GERMANY

www.weaver-company.com

Shaper Cutters
While Supplies Last!

V-PANELING CUTTERS

1 1/4 Bore

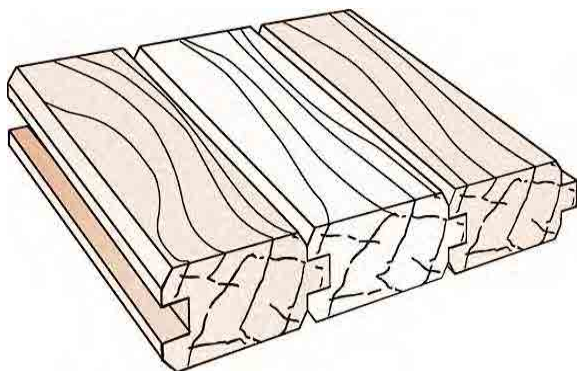


Both sides "V"



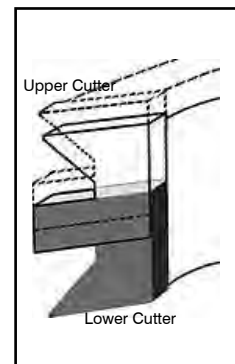
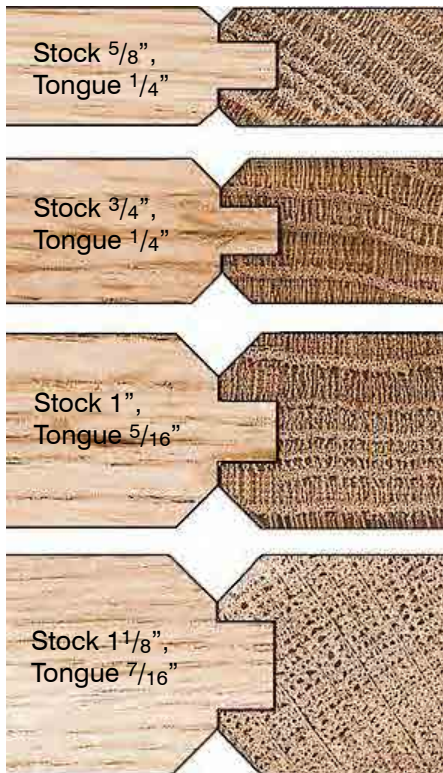
Item No.	Description	Price
C-8169-V	2 Wing Carbide	\$529
C-8166-V	3 Wing Carbide	\$629

V-Paneling Cutters: These cutters are designed for high production use. Each cutter is split and can be shimmed for perfect fit. (4 1/8" Diameter)



- Panels from 5/8" to 1 1/8" thick
- Designed for production
- Cutters are split for shimming to perfect fit after sharpening
- Cutters are split for various stock, 'V' and tongue widths

This cutter set will make all sizes below - Example Wood Profiles:



The overlapping cutter enables variation of stock, tongue and "V".

MADE IN GERMANY

Phone 1-913-831-1800

CALL TOLL FREE 1-800-255-6214

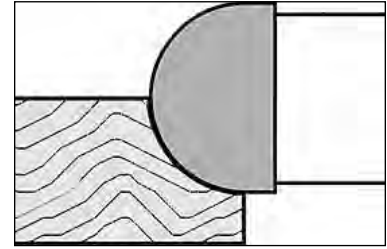
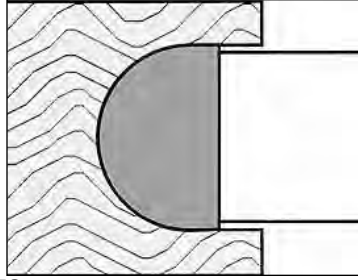
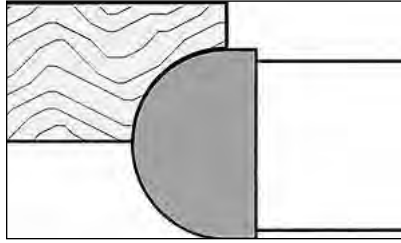
Fax 1-913-831-2974

CAT-SUP-CU-WSL - 126 -

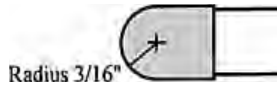
WEAVER COMPANY - 1108 SOUTH 37TH STREET - KANSAS CITY, KS 66106 USA

Copyright © 2022 all Rights Reserved

CONVEX HALF ROUND CUTTERS



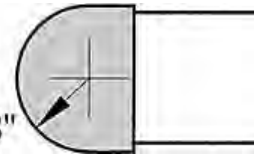
CONVEX HALF ROUND CUTTER EXAMPLES



Radius 3/16"

3/16" Radius Convex Half Round Edge Cutters

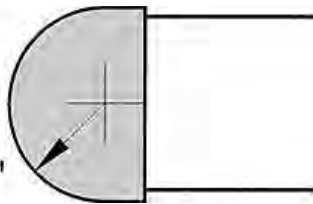
Item#	Wings	O.D.	Type	Price
C8416V	3	3 1/8"	Carbide	\$109
C8418V	2	3 1/8"	High Speed Steel	\$69



Radius 3/8"

3/8" Radius Convex Half Round Edge Cutters

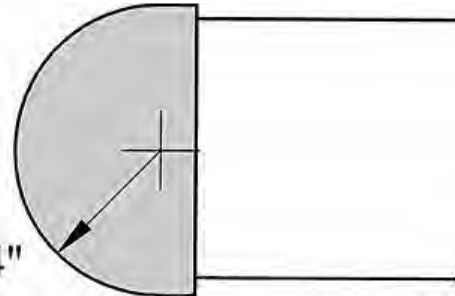
Item#	Wings	O.D.	Type	Price
C8436V	3	3-1/2"	Carbide	\$159



Radius 1/2"

1/2" Radius Convex Half Round Edge Cutters

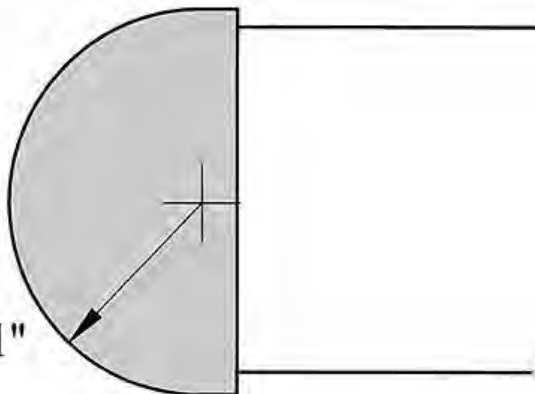
Item#	Wings	O.D.	Type	Price
C8446V	3	3-3/4"	Carbide	\$199
C8448V	2	3-3/4"	High Speed Steel	\$129



Radius 3/4"

3/4" Radius Convex Half Round Edge Cutters

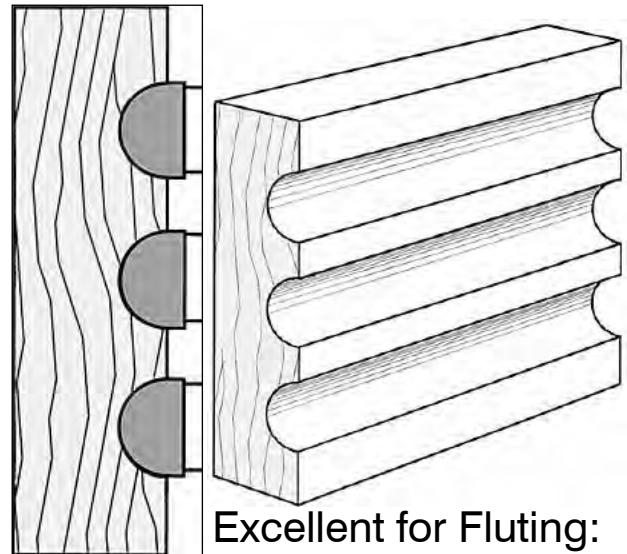
Item#	Wings	O.D.	Type	Price
C8456V	3	4-1/4"	Carbide	\$289
C8458V	2	4-1/4"	High Speed Steel	\$179



Radius 1"

1" Radius Convex Half Round Edge Cutters

Item#	Wings	O.D.	Type	Price
C8468V	2	4-3/4"	High Speed Steel	\$189



Excellent for Fluting:

MADE IN GERMANY

www.weaver-company.com

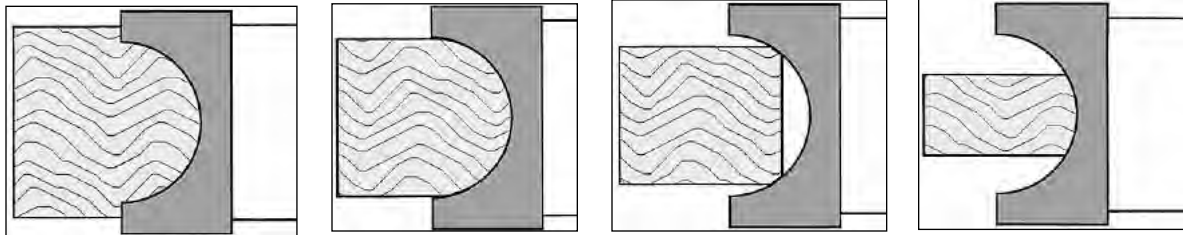
Shaper Cutters
While Supplies Last!

CONCAVE EDGE SHAPER CUTTERS

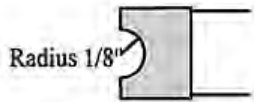
1 1/4 Bore

WEAVER
Stahl

CONCAVE HALF ROUND CUTTERS

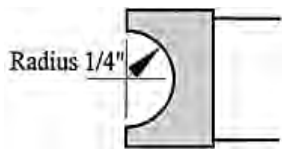


CONCAVE HALF ROUND CUTTER EXAMPLES



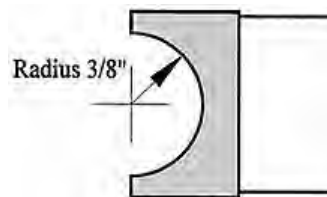
1/8" Radius Concave Half Round Edge Cutters

Item#	Wings	O.D.	Type	Price
C8508V	2	3"	High Speed Steel	\$ 89
C8506V	3	3"	Carbide	\$119



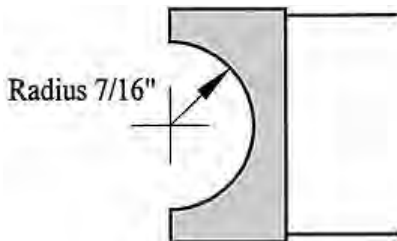
1/4" Radius Concave Half Round Edge Cutters

Item#	Wings	O.D.	Type	Price
C8528V	2	3-3/4"	High Speed Steel	\$129



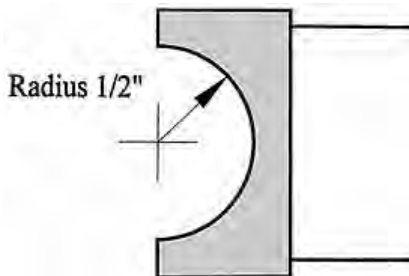
3/8" Radius Concave Half Round Edge Cutters

Item#	Wings	O.D.	Type	Price
C8539V	2	3-1/2"	Carbide	\$179



7/16" Radius Concave Half Round Edge Cutters

Item#	Wings	O.D.	Type	Price
C8548V	2	3-5/8"	High Speed Steel	\$149



1/2" Radius Concave Half Round Edge Cutters

Item#	Wings	O.D.	Type	Price
C8559V	2	3-3/4"	Carbide	\$219

MADE IN GERMANY

Phone 1-913-831-1800

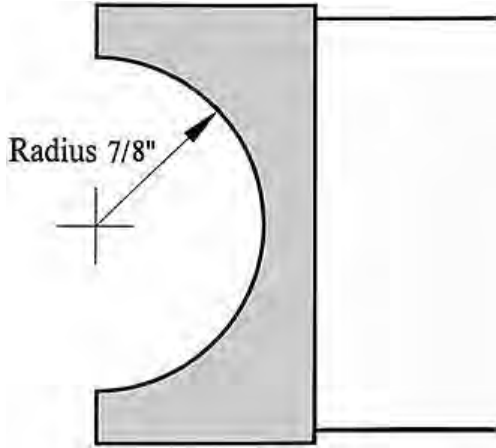
CALL TOLL FREE 1-800-255-6214

Fax 1-913-831-2974

CAT-SUP-CU-WSL - 128 -

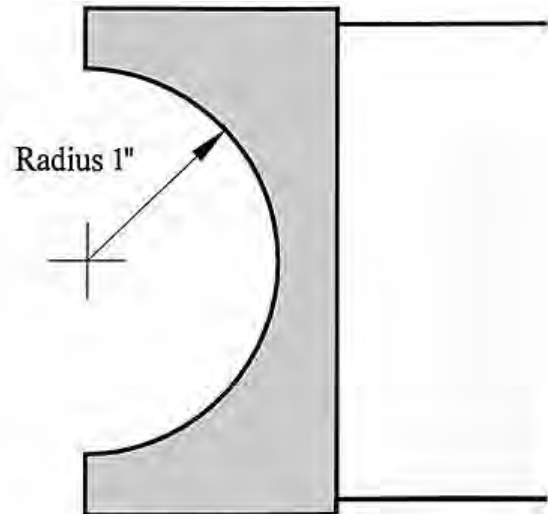
WEAVER COMPANY - 1108 SOUTH 37TH STREET - KANSAS CITY, KS 66106 USA

www.weaver-company.com
Copyright © 2022 all Rights Reserved



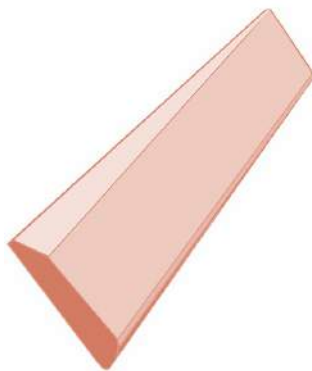
7/8" Radius Concave Half Round Edge Cutters

Item#	Wings	O.D.	Type	Price
C8576V	3	4-1/2"	Carbide	\$249
C8578V	3	4-1/2"	High Speed Steel	\$169



1" Radius Concave Half Round Edge Cutters

Item#	Wings	O.D.	Type	Price
C8596V	3	4-3/4"	Carbide	\$289
C8598V	3	4-3/4"	High Speed Steel	\$189



Multiform Deluxe Slip Stone

Specially shaped stone for sharpening gouges, carving tools, garden shears, and other tools with curved cutting edges.

Multiform Deluxe Slip Stone

Item#	Price
WS1000 110x50x10mm, 1000 Grit	\$13 ea

Made in Japan.

Soak the stone in water for two minutes before using. Sprinkle water on stone as needed to keep it sufficiently wet; water acts as a lubricant.

MADE IN GERMANY

www.weaver-company.com

Phone 1-913-831-1800

CALL TOLL FREE 1-800-255-6214

Fax 1-913-831-2974

Copyright © 2022 all Rights Reserved

WEAVER COMPANY - 1108 SOUTH 37TH STREET - KANSAS CITY, KS 66106 USA

CAT-SUP-CU-WSL - 129 -

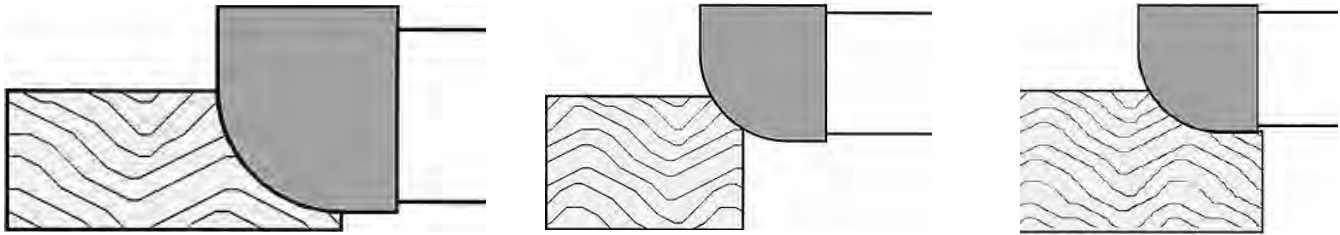
Shaper Cutters
While Supplies Last!

CONVEX EDGE SHAPER CUTTERS

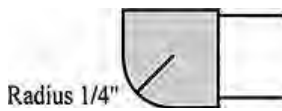
1 1/4 Bore



CONVEX QUARTER ROUND CUTTERS

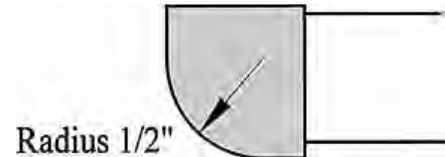


CONVEX QUARTER ROUND CUTTER EXAMPLES



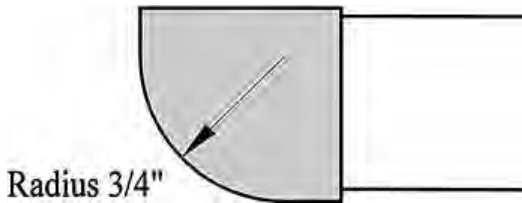
1/4" Radius Convex Quarter Round Edge Cutters

Item#	Wings	O.D.	Type	Price
C8608V	2	3-1/4"	High Speed Steel	\$69



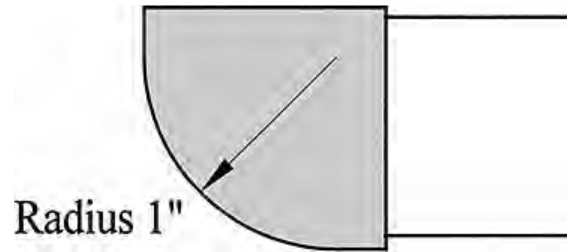
1/2" Radius Convex Quarter Round Edge Cutters

Item#	Wings	O.D.	Type	Price
C8618V	2	3-3/4"	High Speed Steel	\$119
C8619V	2	3-3/4"	Carbide	\$159



3/4" Radius Convex Quarter Round Cutters

Item#	Wings	O.D.	Type	Price
C8629V	2	4-1/4"	Carbide	\$199



1" Radius Convex Quarter Round Edge Cutters

Item#	Wings	O.D.	Type	Price
C8638V	2	4-3/4"	High Speed Steel	\$159

MADE IN GERMANY

Phone 1-913-831-1800

CALL TOLL FREE 1-800-255-6214

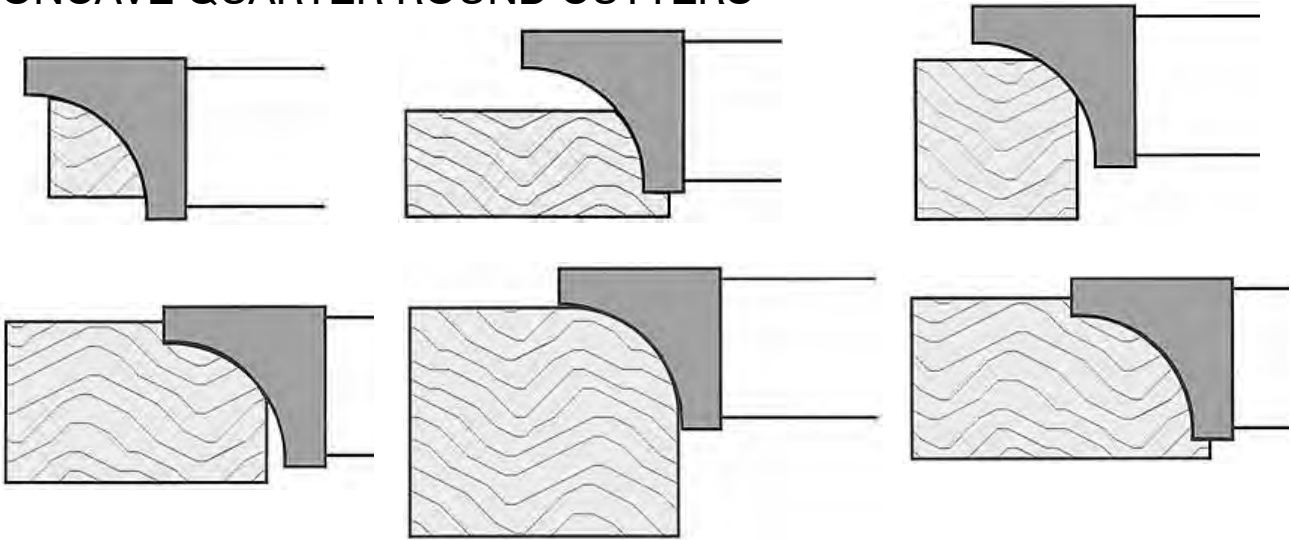
Fax 1-913-831-2974

CAT-SUP-CU-WSL - 130 -

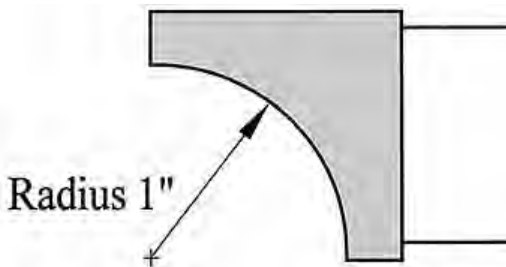
WEAVER COMPANY - 1108 SOUTH 37TH STREET - KANSAS CITY, KS 66106 USA

Copyright © 2022 all Rights Reserved

CONCAVE QUARTER ROUND CUTTERS



CONCAVE QUARTER ROUND CUTTER EXAMPLES



1" Radius Concave Quarter Round Cutters

Item#	Wings	O.D.	Type	Price
C8676V	3	4-3/4"	Carbide	\$249

MADE IN GERMANY

www.weaver-company.com

Phone 1-913-831-1800

CALL TOLL FREE 1-800-255-6214

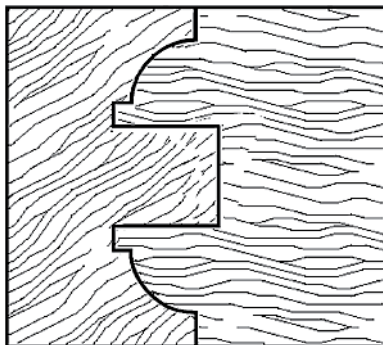
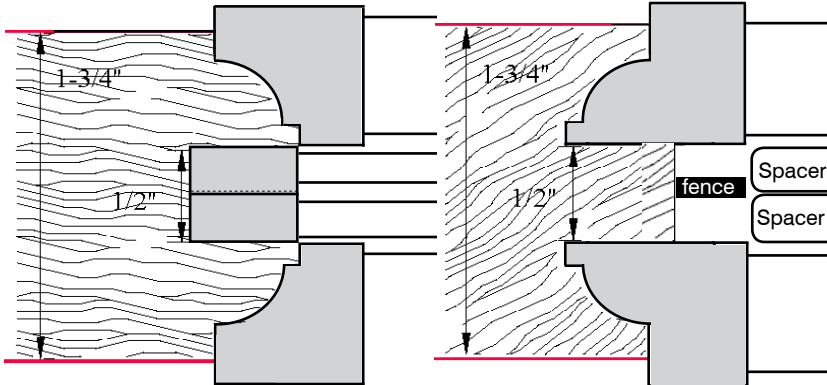
Fax 1-913-831-2974

Copyright © 2022 all Rights Reserved

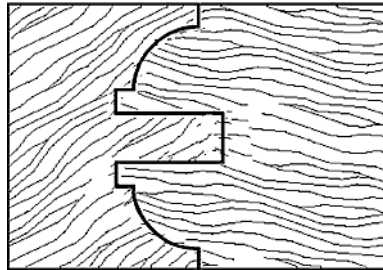
WEAVER COMPANY - 1108 SOUTH 37TH STREET - KANSAS CITY, KS 66106 USA

CAT-SUP-CU-WSL - 131 -

House Door Set (⁹/₁₆" Tongue Length)



1³/₄" Exterior Profile
using 2 spacers & the ⁹/₃₂" &
¹/₄" groovers.

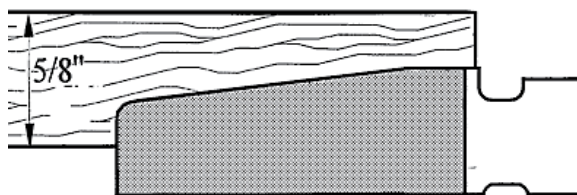


1³/₈" Interior Profile, using one less
spacer & the ¹/₄" groover.

1³/₈", 1³/₄" House Door Set

Item#	Wings	Bore	O.D.	Type	Price
C9215R2	2	³ / ₄ "	3 ¹ / ₈ "	Carbide	\$369

(Price includes both tenon & stile cutters)



Item#	Wings	Type	Price
C7097D1	2	HSS	\$129

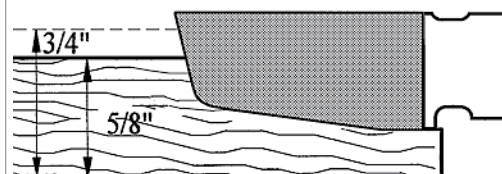
"Not Recessed for Bearing"

(This Raised Panel Cutter is 6" Diameter, ³/₄" Bore)

Raised Panel Cutters



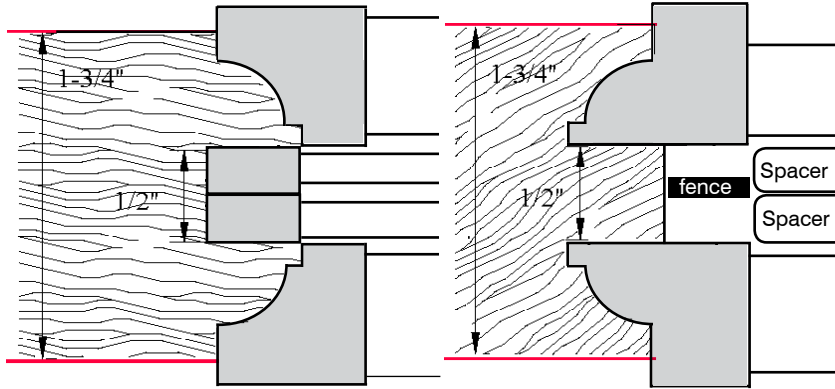
Item#	Wings	Bore	O.D.	Reveal	Type	Price
C7085D3	2	³ / ₄ "	4 ³ / ₄ "	1 ¹ / ₂ "	Carbide	\$108



MADE IN GERMANY

www.weaver-company.com

House Door Set (1/2" Tongue Length)



1³/₈" , 1³/₄" House Door Set

Item#	Wings	Bore	O.D.	Type	Price
-------	-------	------	------	------	-------

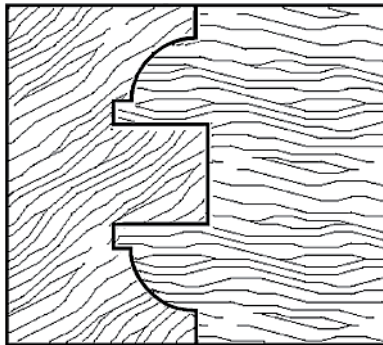
C9218R2	2	1 1/4"	4"	HSS	\$489
----------------	---	--------	----	-----	--------------

(Price includes both tenon & stile cutters)

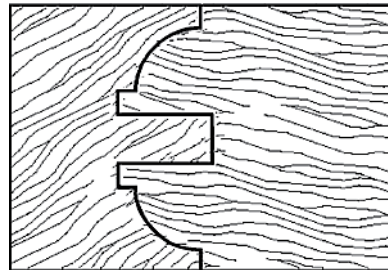
Optional Cutter for Glass Doors

Item#	Wings	Height	Bore	O.D.	Type	Price
-------	-------	--------	------	------	------	-------

C9238V	2	3/4"	1 1/4"	4"	HSS	\$79
---------------	---	------	--------	----	-----	-------------



1³/₄" Exterior Profile
 using 2 spacers & the 9/32" &
 1/4" groovers.



1³/₈" Interior Profile, using one
 spacer & the 1/4" groover.



MADE IN GERMANY

www.weaver-company.com

Phone 1-913-831-1800

CALL TOLL FREE 1-800-255-6214

Fax 1-913-831-2974

Copyright © 2022 all Rights Reserved

WEAVER COMPANY - 1108 SOUTH 37TH STREET - KANSAS CITY, KS 66106 USA

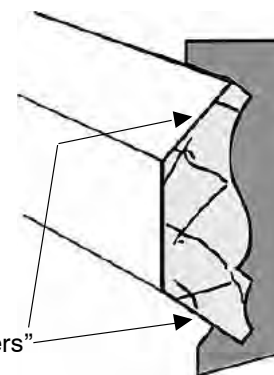
CAT-SUP-CU-WSL - 133 -

Crown Molding Cutters:



Item No.	Wings	Height	O.D.	Type	Price
C9758V	2	2 1/8"	3 5/32"	High Speed Steel	\$299

Item No.	Wings	Height	O.D.	Type	Price
C9768V	2	3"	3 1/2"	High Speed Steel	\$369

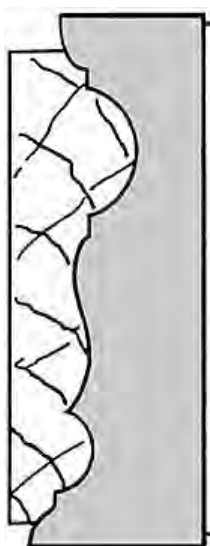


USA STOCKED FOR FAST DELIVERY

Room Chair Rail Molding Cutters

This cutter from Weaver's produces excellent wall molding for chair railings

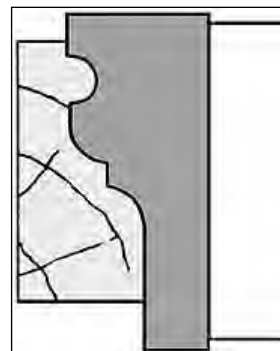
Item#	Wings	O.D.	Height	Type	Price
C9788V	2	3 3/4"	2 3/4"	High Speed Steel	\$399



MADE IN GERMANY

HEAD MOLDING CUTTERS

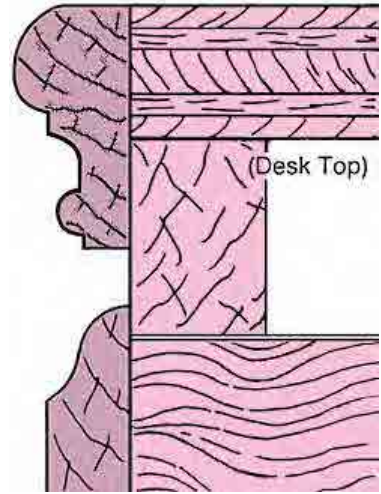
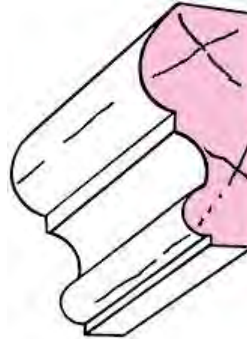
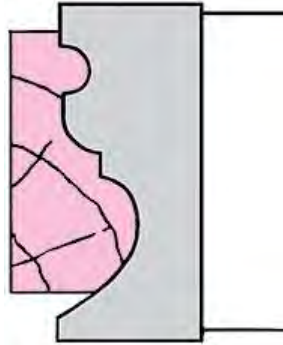
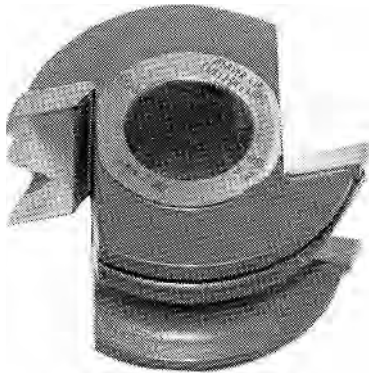
This cutter produces excellent head mold for the joint between upper cabinets and soffits as ceiling trim.



Cabinet Head Molding Cutters

Item#	Wings	O.D.	Type	Price
C9736V	3	3 1/2"	Carbide	\$359
C9738V	2	3 1/2"	HSS	\$239
C9739V	2	3 1/2"	Carbide	\$329

MOLDING CUTTERS



This cutter produces excellent moldings for desk tops, wall moldings, slab cabinet doors and oven cabinet caps.

Oven and Desk Molding Cutters

Item#	Wings	O.D.	Type	Price
C9748V	2	3-5/8"	High Speed Steel	\$239
C9749V	2	3-5/8"	Carbide	\$329

MADE IN GERMANY

www.weaver-company.com

Phone 1-913-831-1800

CALL TOLL FREE 1-800-255-6214

Fax 1-913-831-2974

Copyright © 2022 all Rights Reserved

WEAVER COMPANY - 1108 SOUTH 37TH STREET - KANSAS CITY, KS 66106 USA

CAT-SUP-CU-WSL - 135 -



Ball Bearing Rub Collars

WEAVER

The Ball Bearing Rub Collar is one part of a machine setup. Always use the proper guide devices (such as fences, guides, patterns etc.), holding devices (such as jigs, hold downs, power feeders, etc.), Warning Disc and a Dust Shield in conjunction with the Ball Bearing Rub Collar.



2 washers come with each Ball Bearing Rub Collar.

3/4" Bore

Item	O.D.	Price
BB1203	1-5/8	\$ 35
BB1223	1-11/16	\$ 83
BB1243	1-3/4	\$ 83
BB1263	1-13/16	\$ 83
BB1283	1-7/8	\$ 83
BB1303	1-15/16	\$ 83
BB2003	2	\$ 83
BB2023	2-1/16	\$ 83
BB2043	2-1/8	\$ 83
BB2063	2-3/16	\$ 83
BB2083	2-1/4	\$ 83
BB2103	2-5/16	\$ 83
BB2123	2-3/8	\$ 83
BB2143	2-7/16	\$ 83
BB2163	2-1/2	\$ 83
BB2183	2-9/16	\$ 83
BB2203	2-5/8	\$ 83
BB2223	2-11/16	\$ 83
BB2243	2-3/4	\$ 83
BB2263	2-13/16	\$ 83
BB2283	2-7/8	\$ 83
BB2303	2-15/16	\$ 83
BB3003	3	\$ 83
BB3023	3-1/16	\$ 83
BB3043	3-1/8	\$ 83
BB3063	3-3/16	\$ 83
BB3083	3-1/4	\$ 83
BB3103	3-5/16	\$ 83
BB3123	3-3/8	\$ 83
BB3143	3-7/16	\$ 83
BB3163	3-1/2	\$ 83
BB3183	3-9/16	\$119
BB3203	3-5/8	\$119
BB3223	3-11/16	\$119
BB3243	3-3/4	\$119
BB3263	3-13/16	\$119
BB3283	3-7/8	\$119
BB3303	3-15/16	\$119

BB4003	4	\$119
--------	---	-------

1" Bore

Item	O.D.	Price
BB2004	2	\$ 35
BB2024	2-1/16	\$107
BB2044	2-1/8	\$107
BB2064	2-3/16	\$107
BB2084	2-1/4	\$107
BB2104	2-5/16	\$107
BB2124	2-3/8	\$107
BB2144	2-7/16	\$107
BB2164	2-1/2	\$107
BB2184	2-9/16	\$107
BB2204	2-5/8	\$107
BB2224	2-11/16	\$107
BB2244	2-3/4	\$107
BB2264	2-13/16	\$107
BB2284	2-7/8	\$107
BB2304	2-15/16	\$107
BB3004	3	\$107
BB3024	3-1/16	\$107
BB3044	3-1/8	\$107
BB3064	3-3/16	\$107
BB3084	3-1/4	\$107
BB3104	3-5/16	\$107
BB3124	3-3/8	\$107
BB3144	3-7/16	\$107
BB3164	3-1/2	\$107
BB3184	3-9/16	\$143
BB3204	3-5/8	\$143
BB3224	3-11/16	\$143
BB3244	3-3/4	\$143
BB3264	3-13/16	\$143
BB3284	3-7/8	\$143
BB3304	3-15/16	\$143
BB4004	4	\$143
BB4024	4-1/16	\$179
BB4044	4-1/8	\$179
BB4064	4-3/16	\$179
BB4084	4-1/4	\$179

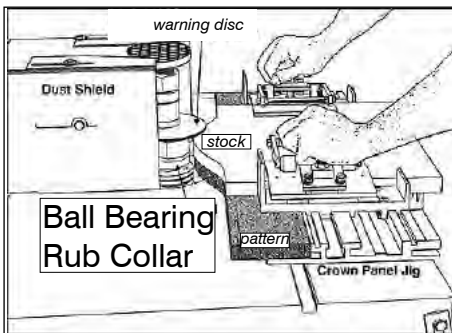
1-1/4" Bore

Item	O.D.	Price
BB2086	2-1/4	\$107
BB2106	2-5/16	\$107
BB2126	2-3/8	\$107
BB2146	2-7/16	\$107
BB2166	2-1/2	\$107
BB2186	2-9/16	\$107
BB2206	2-5/8	\$107
BB2226	2-11/16	\$107
BB2246	2-3/4	\$107
BB2266	2-13/16	\$107
BB2286	2-7/8	\$107
BB2306	2-15/16	\$107
BB3006	3	\$107
BB3026	3-1/16	\$107
BB3046	3-1/8	\$107
BB3066	3-3/16	\$107
BB3086	3-1/4	\$107
BB3106	3-5/16	\$107
BB3126	3-3/8	\$107
BB3146	3-7/16	\$107
BB3166	3-1/2	\$107
BB3186	3-9/16	\$143
BB3206	3-5/8	\$143
BB3226	3-11/16	\$143
BB3246	3-3/4	\$143
BB3266	3-13/16	\$143
BB3286	3-7/8	\$143
BB3306	3-15/16	\$143
BB4006	4	\$143
BB4026	4-1/16	\$179
BB4046	4-1/8	\$179
BB4066	4-3/16	\$179
BB4086	4-1/4	\$179
BB4106	4-5/16	\$179
BB4126	4-3/8	\$179
BB4146	4-7/16	\$179
BB4166	4-1/2	\$179
BB4186	4-9/16	\$179
BB4206	4-5/8	\$179
BB4226	4-11/16	\$179
BB4246	4-3/4	\$239
BB4266	4-13/16	\$239
BB4286	4-7/8	\$239
BB4306	4-15/16	\$239
BB5006	5	\$239

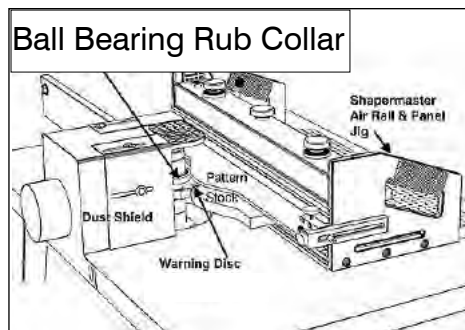
Millimeter O.D.

Item	O.D.	Bore	Price
BB8483	48mm	3/4"	\$ 83
BB8853	85mm	3/4"	\$ 83
BB8856	85mm	1-1/4"	\$107
BB8906	90mm	1-1/4"	\$143
BB81006	100mm	1-1/4"	\$179
BB81256	125mm	1-1/4"	\$239

Custom Ball Bearing Rub Collar
Specify Bore and O.D.



Panel Trimming using the crown panel jig, pattern, warning disc and BALL BEARING RUB COLLAR.



Panel Trimming using the Shapermaster, pattern, warning disc and BALL BEARING RUB COLLAR.

MANUFACTURED IN U.S.A.

Phone 1-913-831-1800

CALL TOLL FREE 1-800-255-6214

Fax 1-913-831-2974

www.weaver-company.com

WEAVER COMPANY - 1108 SOUTH 37TH STREET - KANSAS CITY, KS 66106 USA

Copyright © 2022 all Rights Reserved



Manufactured
In U.S.A.

WARNING DISCS

WEAVER

The Warning Disc™ is colored with a pattern to increase awareness of spindle rotation. Use a Warning Disc™ with a larger diameter than the cutter diameter.



Using the Warning Disc™ above the cutter helps reduce cutter exposure from the top and also deflects chips.



The Warning Disc is one part of a machine setup. Always use the proper guide devices (such as fences, guides, ball bearing rub collar, etc.), holding devices (such as jigs, hold downs, power feeders, etc.) and a Dust Shield in conjunction with the Warning Disc.

3/4" Bore

Item	O.D.	Price
WD2243	2-3/4	\$ 42
WD2283	2-7/8	\$ 42

WD3003	3	\$ 42
WD3043	3-1/8	\$ 42
WD3083	3-1/4	\$ 42
WD3123	3-3/8	\$ 42
WD3163	3-1/2	\$ 42
WD3203	3-5/8	\$ 42
WD3243	3-3/4	\$ 42
WD3283	3-7/8	\$ 42

WD4003	4	\$ 42
WD4043	4-1/8	\$ 42
WD4083	4-1/4	\$ 42
WD4123	4-3/8	\$ 42
WD4163	4-1/2	\$ 42
WD4203	4-5/8	\$ 42
WD4243	4-3/4	\$ 42
WD4283	4-7/8	\$ 42

WD5003	5	\$ 47
WD5043	5-1/8	\$ 47
WD5083	5-1/4	\$ 47
WD5123	5-3/8	\$ 47
WD5163	5-1/2	\$ 47
WD5203	5-5/8	\$ 47
WD5243	5-3/4	\$ 47
WD5283	5-7/8	\$ 47

WD6003	6	\$ 47
WD6043	6-1/8	\$ 47
WD6083	6-1/4	\$ 47

1" Bore

Item	O.D.	Price
WD2244	2-3/4	\$ 42
WD2284	2-7/8	\$ 42

WD3004	3	\$ 42
WD3044	3-1/8	\$ 42
WD3084	3-1/4	\$ 42
WD3124	3-3/8	\$ 42
WD3164	3-1/2	\$ 42
WD3204	3-5/8	\$ 42
WD3244	3-3/4	\$ 42
WD3284	3-7/8	\$ 42

WD4004	4	\$ 42
WD4044	4-1/8	\$ 42
WD4084	4-1/4	\$ 42
WD4124	4-3/8	\$ 42
WD4164	4-1/2	\$ 42
WD4204	4-5/8	\$ 42
WD4244	4-3/4	\$ 42
WD4284	4-7/8	\$ 42

WD5004	5	\$ 47
WD5044	5-1/8	\$ 47
WD5084	5-1/4	\$ 47
WD5124	5-3/8	\$ 47
WD5164	5-1/2	\$ 47
WD5204	5-5/8	\$ 47
WD5244	5-3/4	\$ 47
WD5284	5-7/8	\$ 47

WD6004	6	\$ 47
WD6044	6-1/8	\$ 47
WD6084	6-1/4	\$ 47
WD6124	6-3/8	\$ 47
WD6164	6-1/2	\$ 47

1-1/4" Bore

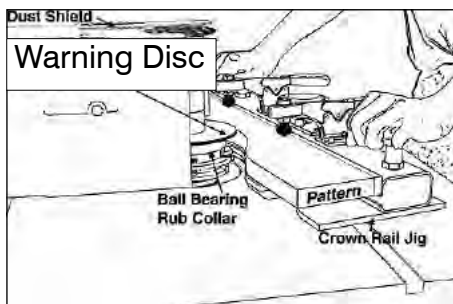
Item	O.D.	Price
WD2246	2-3/4	\$ 42
WD2286	2-7/8	\$ 42

WD3006	3	\$ 42
WD3046	3-1/8	\$ 42
WD3086	3-1/4	\$ 42
WD3126	3-3/8	\$ 42
WD3166	3-1/2	\$ 42
WD3206	3-5/8	\$ 42
WD3246	3-3/4	\$ 42
WD3286	3-7/8	\$ 42

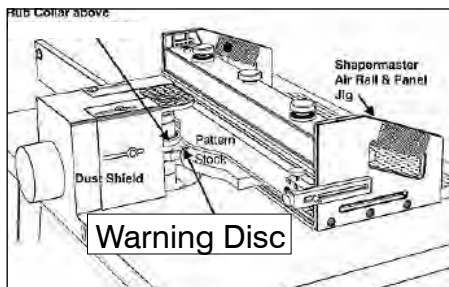
WD4006	4	\$ 42
WD4046	4-1/8	\$ 42
WD4086	4-1/4	\$ 42
WD4126	4-3/8	\$ 42
WD4166	4-1/2	\$ 42
WD4206	4-5/8	\$ 42
WD4246	4-3/4	\$ 42
WD4286	4-7/8	\$ 42

WD5006	5	\$ 47
WD5046	5-1/8	\$ 47
WD5086	5-1/4	\$ 47
WD5126	5-3/8	\$ 47
WD5166	5-1/2	\$ 47
WD5206	5-5/8	\$ 47
WD5246	5-3/4	\$ 47
WD5286	5-7/8	\$ 47

WD6006	6	\$ 47
WD6046	6-1/8	\$ 47
WD6086	6-1/4	\$ 47
WD6126	6-3/8	\$ 47
WD6166	6-1/2	\$ 47
WD6206	6-5/8	\$ 47
WD6246	6-3/4	\$ 47
WD6286	6-7/8	\$ 47



Crown rail sticking with the crown rail jig, pattern, ball bearing rub collar and WARNING DISC.



Panel Trimming using the Shapermaster, pattern, rub collar and WARNING DISC.

Custom Warning Disc

Specify Bore and O.D.

MANUFACTURED IN U.S.A.

www.weaver-company.com

Phone 1-913-831-1800

CALL TOLL FREE 1-800-255-6214

Fax 1-913-831-2974

Copyright © 2022 all Rights Reserved

WEAVER COMPANY - 1108 SOUTH 37TH STREET - KANSAS CITY, KS 66106 USA

- 137 -



Manufactured
In U.S.A.

SHAPER CUTTERS

T-BUSHINGS - SPACERS - SHIMS

WEAVER
FREEBORN

T-Bushings

Choose from

• **Long Style** - for 3 to 6 Cutter Sets. Consists of 1 long and 1 short T-Bushing.

• **Short Style** - for Single Cutters. Consists of 2 short T-Bushings.

• **Double Sided** - to run between Cutter and Bearing.

Long Style \$20

Number	Bore	Width
AM 91-008	1/2"	3/4"
AX 91-012	3/4"	1"
AP 91-012	3/4"	1-1/4"
AP 91-016	1"	1-1/4"
AP 91-016 XL*	1"	1-1/4"
AP 91-017	30mm	1-1/4"
AP 91-018	1-1/8"	1-1/4"

Short Style \$13

Number	Bore	Width
AM 92-008	1/2"	3/4"
AX 92-012	3/4"	1"
AP 92-008	1/2"	1-1/4"
AP 92-012	3/4"	1-1/4"
AP 92-016	1"	1-1/4"
AP 92-017	30mm	1-1/4"
AP 92-018	1-1/8"	1-1/4"

Double Sided \$13

Number	Bore	Width
AM 93-008	1/2"	3/4"
AP 93-008	1/2"	1-1/4"
AP 93-012	3/4"	1-1/4"
AP 93-016	1"	1-1/4"
AP 93-018	1-1/8"	1-1/4"

* for use with double sided Cope and Pattern sets

Spacers and Shims

Spacers - Used in a wide range of woodworking applications.

Shims - Sets of 48 color-coded plastic shims for various spacing needs.

Spacers \$24

Number	Bore	Width
AM 94-002	3/4"	1/8"
AM 94-004	3/4"	1/4"
AM 94-006	3/4"	3/8"
AM 94-008	3/4"	1/2"
AM 94-010	3/4"	5/8"
AM 94-012	3/4"	3/4"
AM 94-016	3/4"	1"
AP 94-002	1-1/4"	1/8"
AP 94-004	1-1/4"	1/4"
AP 94-006	1-1/4"	3/8"
AP 94-008	1-1/4"	1/2"
AP 94-010	1-1/4"	5/8"
AP 94-012	1-1/4"	3/4"
AP 94-016	1-1/4"	1"

Metal Shims \$67

Number	Bore	Qty.	Thickness
AM 95-012 - M	3/4"	4	.003
AM 95-020 - M	1-1/4"	4	.005
		4	.010
		4	.015
		4	.020

W E A V E R

Plastic Shims \$39

Number	Bore	Qty	Color	Thickness
SS3	3/4"	6	Green	.003
		6	Blue	.005
		6	Clear	.0075
		6	Brown	.010
		6	Pink	.015

Metal Shims \$39

Number	Bore	Qty	Thickness
MS3	3/4"	5	.002"
(Pack of 5 in		5	.003"
5 Thicknesses)		5	.005"
		5	.010"
		5	.030"

MANUFACTURED IN U.S.A.

www.weaver-company.com

Phone 1-913-831-1800

CALL TOLL FREE 1-800-255-6214

Fax 1-913-831-2974

- 138 -

WEAVER COMPANY - 1108 SOUTH 37TH STREET - KANSAS CITY, KS 66106 USA

Copyright © 2022 all Rights Reserved

Page The Essentials for...

139	Shaper Essentials Flat Mount Table of Contents
140	Tenon Coping Hold Down - Continuous Fence
141 Air Tenon Jig - Continuous Fence
142 Coping Hold Down - Split Fence
143 Air Tenon Jig - Split Fence
144	Stile & Rail Sticking..... Sticker Plate with Hold Down
145 Sticker Plate & Power Feeder
146 Crown Rail Sticking - Manual Setup
147 Sticker Guide & Fence with Hold Down
148 Sticker Guide & Fence with Power Feeder
149	Crown Panel Trimming Manual Jig
150	Panel Raising Single Raise Hold Down
151 Single Raise Hold Down & Power Feeder
152 Partial Offset Hold Down
153 Partial Offset Hold Down & Power Feeder
154	Crown Rail & Panel Trimming..... Shapermaster™ Air Jig - Dead Collar
155 Shapermaster™ Air Jig - Bearing
156	Crown Panel Raising..... Shapermaster™ Air Jig - Dead Collar
157 Shapermaster™ Air Jig - Bearing
158	Crown Rail Sticking..... Shapermaster™ Air Jig - Dead Collar
159 Shapermaster™ Air Jig - Bearing
160	Door Edge..... Continuous Fence
161 Split Fence

MANUFACTURED IN U.S.A.

www.weaver-company.com

Phone 1-913-831-1800

CALL TOLL FREE 1-800-255-6214

Fax 1-913-831-2974

Copyright © 2022 all Rights Reserved

WEAVER COMPANY - 1108 SOUTH 37TH STREET - KANSAS CITY, KS 66106 USA

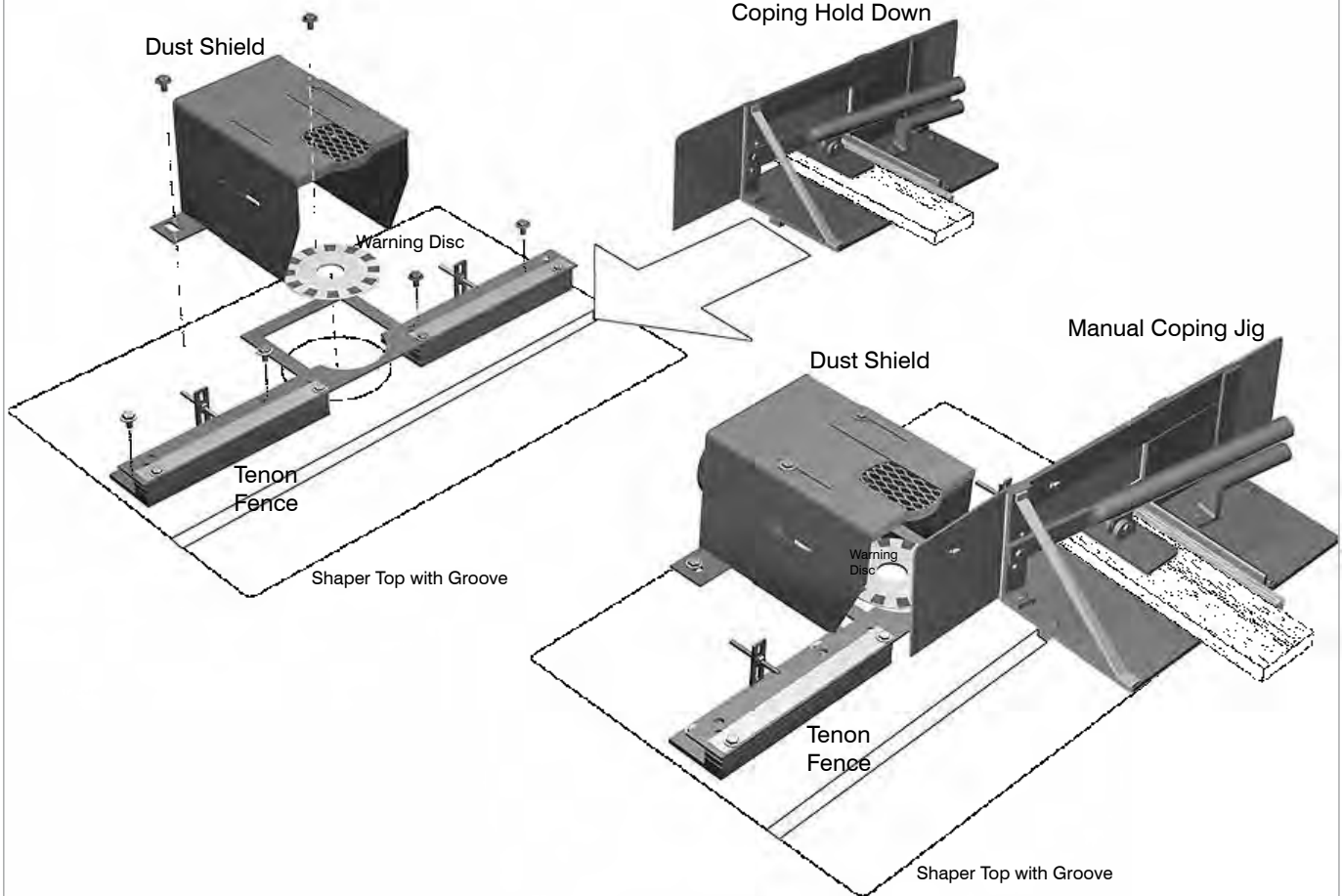
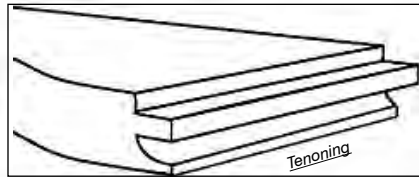
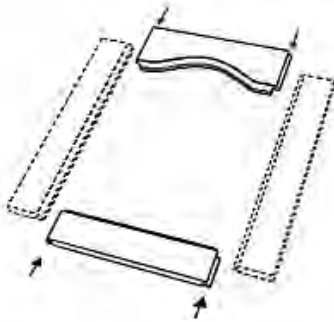
- 139 -

Coping Hold Down - Continuous Fence

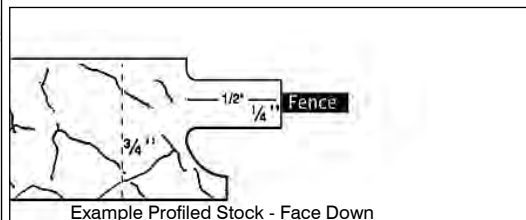
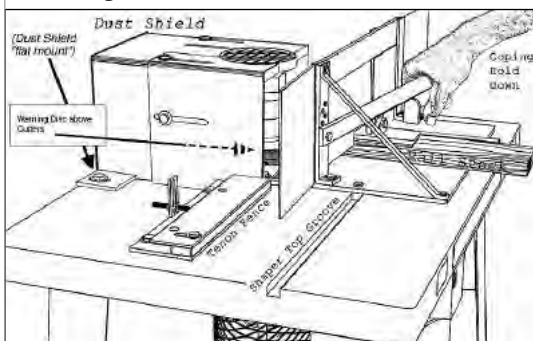
Tenon Setup - Flat Mounting Coping Hold Down

Item#	Description	Price
HD225W	Coping Hold Down	527
FE25	Tenon Fence	323
WD	Warning Disc	42
DS441F	Dust Shield	239

		\$1,131



Tenoning



Example Profiled Stock - Face Down

MANUFACTURED IN U.S.A.

www.weaver-company.com

Phone 1-913-831-1800

CALL TOLL FREE 1-800-255-6214

Fax 1-913-831-2974

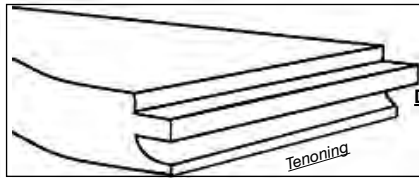
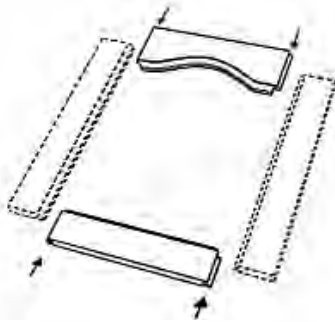
WEAVER

Tenon

Shaper Essentials™
FLAT MOUNT

Air Tenon Jig - Continuous Fence

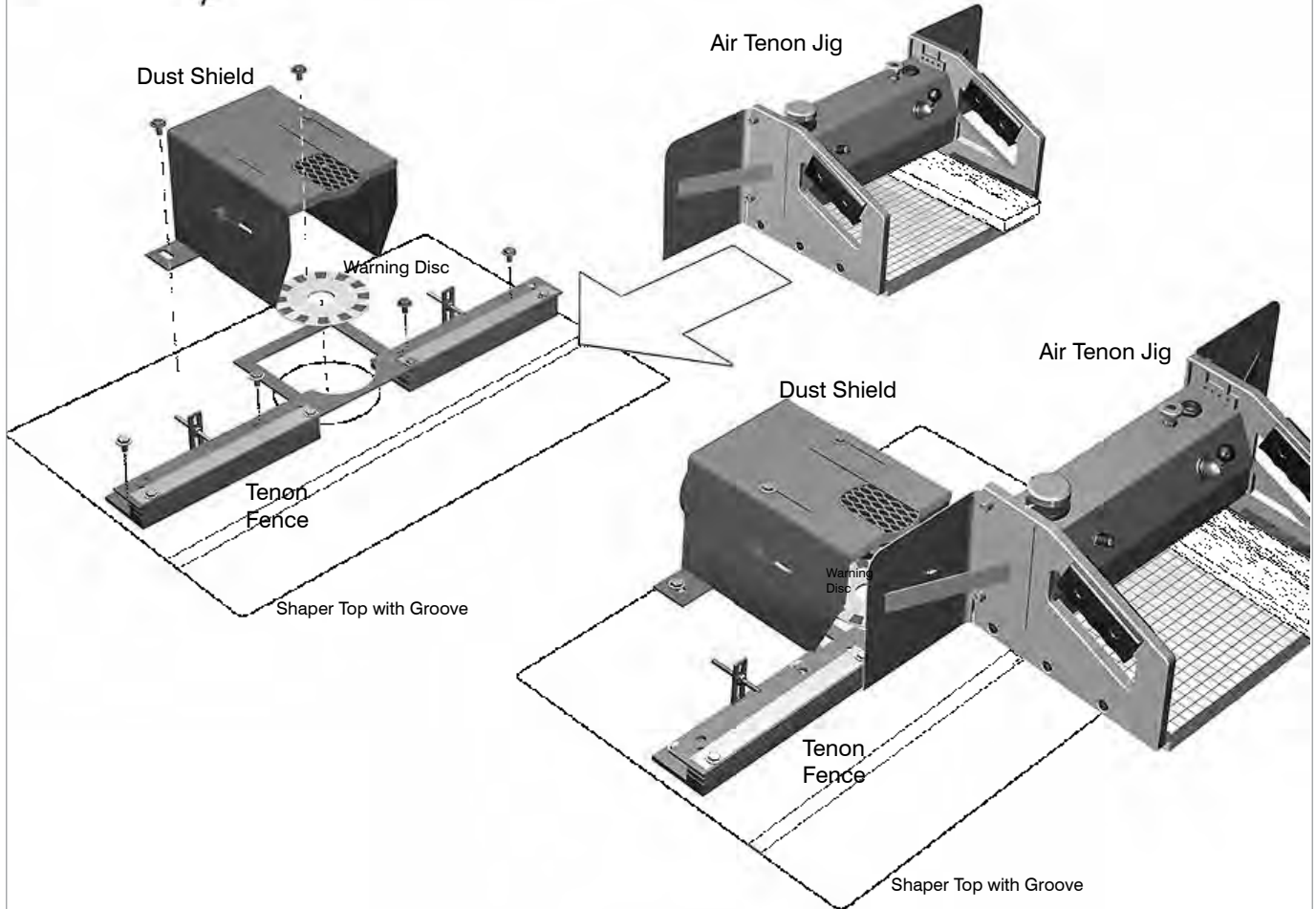
Tenon Setup - Flat Mounting Air Tenon Jig



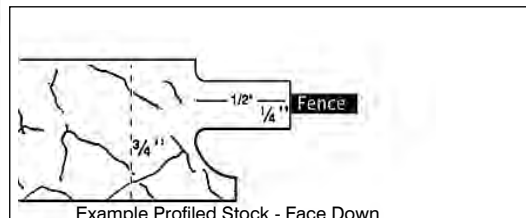
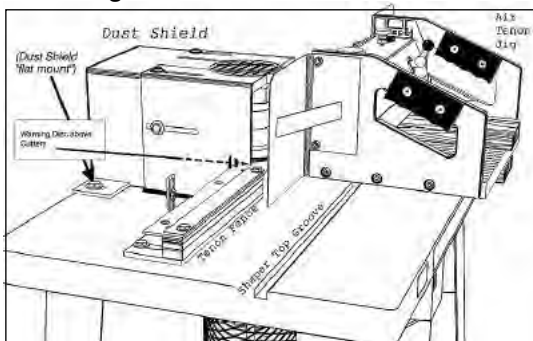
Description Price

<u>Description</u>	<u>Price</u>	<u>Item#</u>
AJ1201RW Air Tenon Jig		1,434
FE27 Tenon Fence		323
WD Warning Disc		42
DS441F Dust Shield		239

		\$2,038



Tenoning



MANUFACTURED IN U.S.A.

www.weaver-company.com

Phone 1-913-831-1800

CALL TOLL FREE 1-800-255-6214

Fax 1-913-831-2974

Copyright © 2022 all Rights Reserved

WEAVER COMPANY - 1108 SOUTH 37TH STREET - KANSAS CITY, KS 66106 USA

- 141 -

Tenon

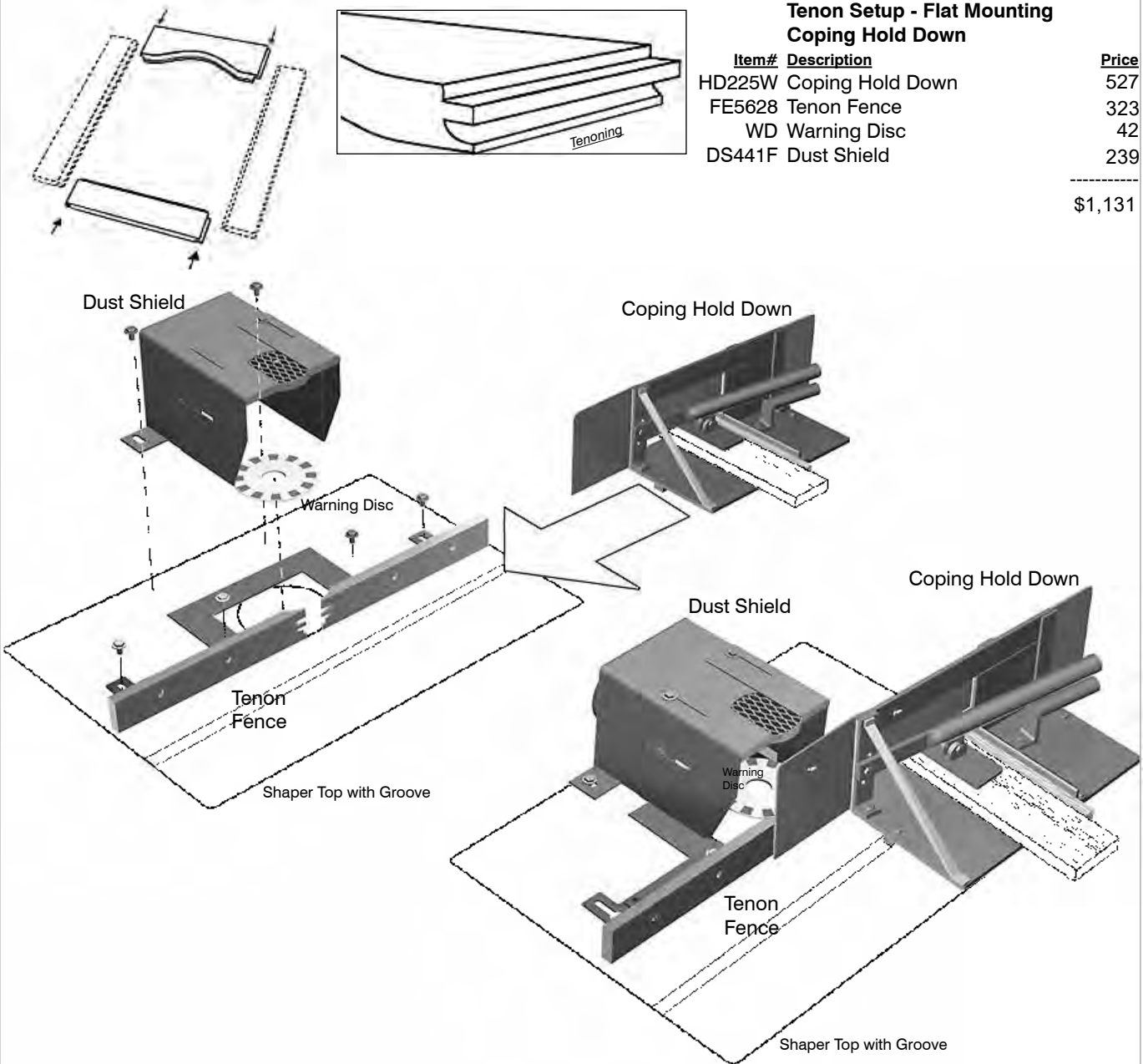
Coping Hold Down - Split Fence

WEAVER

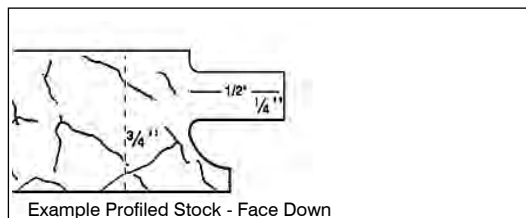
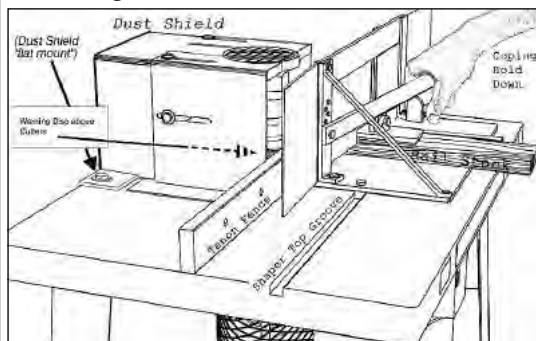
Tenon Setup - Flat Mounting Coping Hold Down

Item#	Description	Price
HD225W	Coping Hold Down	527
FE5628	Tenon Fence	323
WD	Warning Disc	42
DS441F	Dust Shield	239

		\$1,131



Tenoning



MANUFACTURED IN U.S.A.

Phone 1-913-831-1800

CALL TOLL FREE 1-800-255-6214

Fax 1-913-831-2974

WEAVER

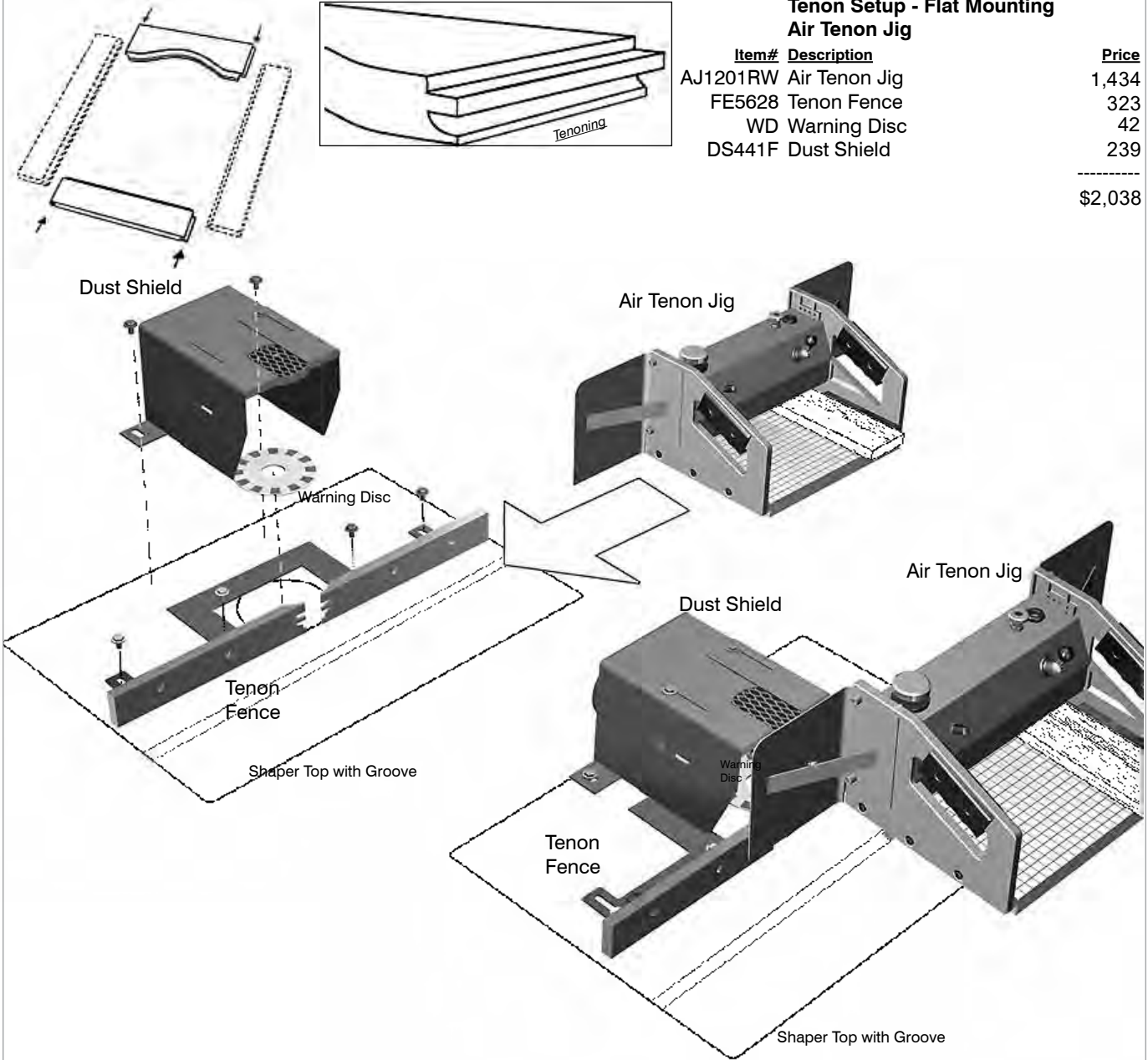
Tenon

Air Tenon Jig - Split Fence

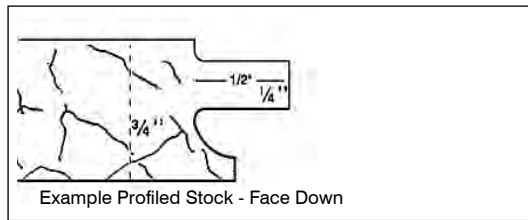
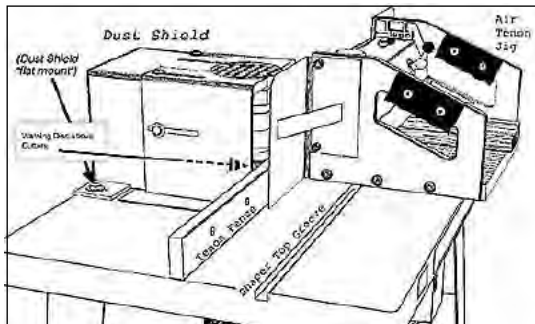
Shaper Essentials™
FLAT MOUNT

Tenon Setup - Flat Mounting Air Tenon Jig

Item#	Description	Price
AJ1201RW	Air Tenon Jig	1,434
FE5628	Tenon Fence	323
WD	Warning Disc	42
DS441F	Dust Shield	239
		<hr/>
		\$2,038



Tenoning



MANUFACTURED IN U.S.A.

www.weaver-company.com

Phone 1-913-831-1800

CALL TOLL FREE 1-800-255-6214

Fax 1-913-831-2974

Copyright © 2022 all Rights Reserved

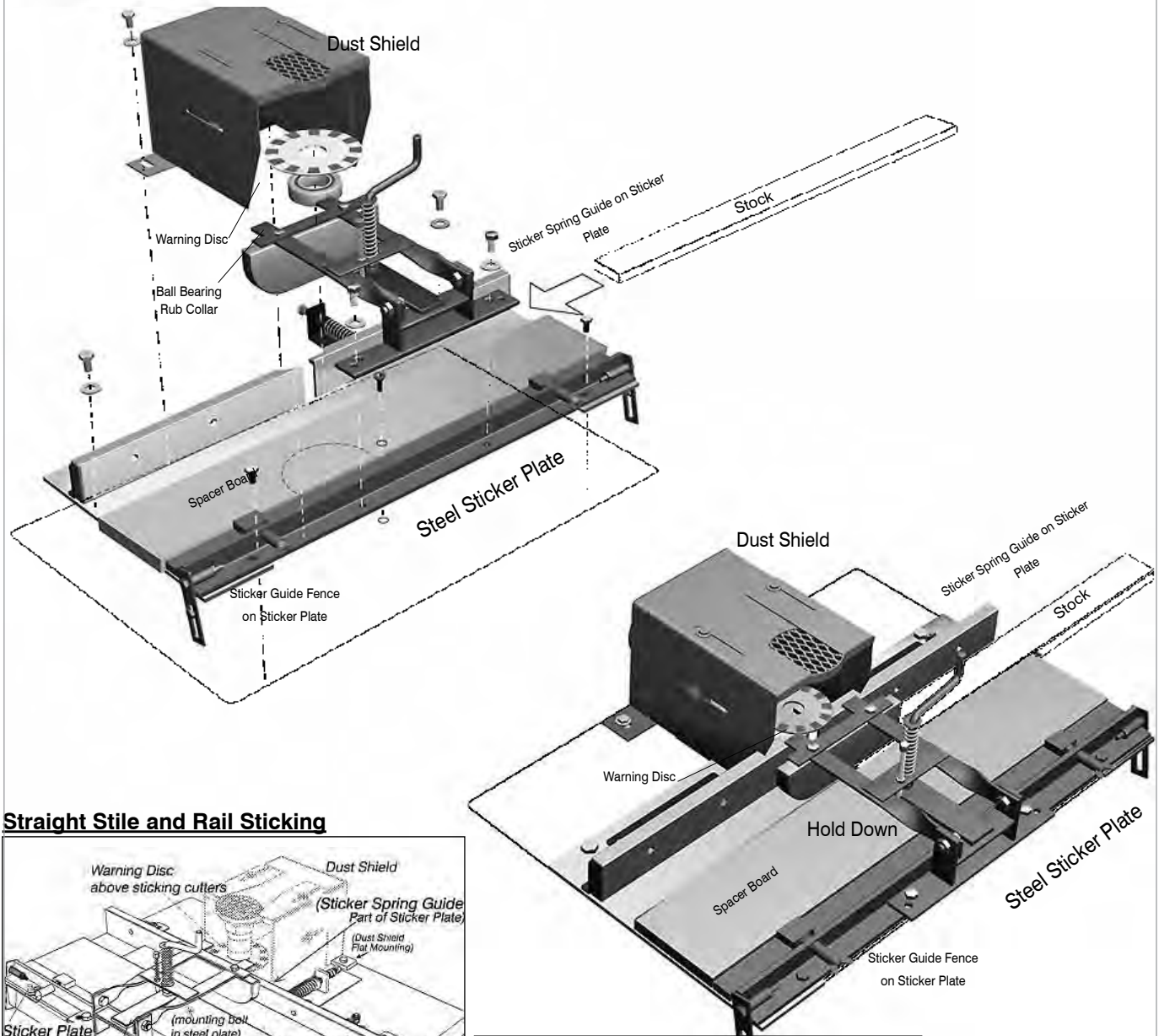
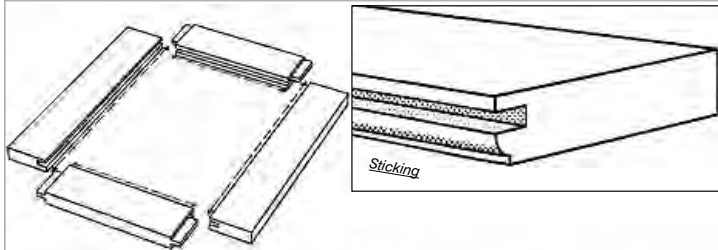
WEAVER COMPANY - 1108 SOUTH 37TH STREET - KANSAS CITY, KS 66106 USA

- 143 -

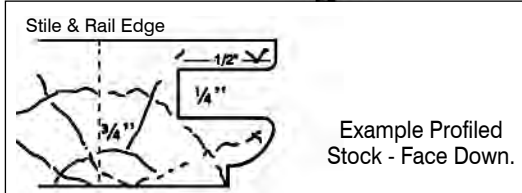
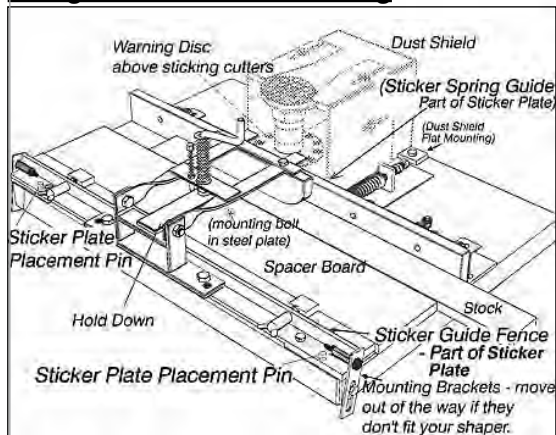
**Straight Sticking Setup - Flat Mounting -
Sticker Plate**

Item#	Description	Price
FE360H	Sticker Plate Setup w/Hold Down	1,043
BBRC	Ball Bearing Rub Collar	107
DS455F	Dust Shield Crown & Straight Stile & Rails	239
WD	Warning Disc	42

		\$1,431



Straight Stile and Rail Sticking



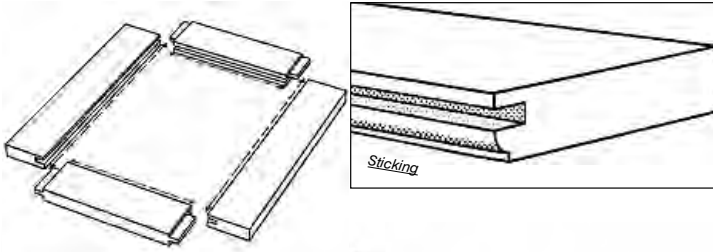
MANUFACTURED IN U.S.A.

WEAVER

Straight Stile & Rail Sticking

Sticker Plate & Power Feeder

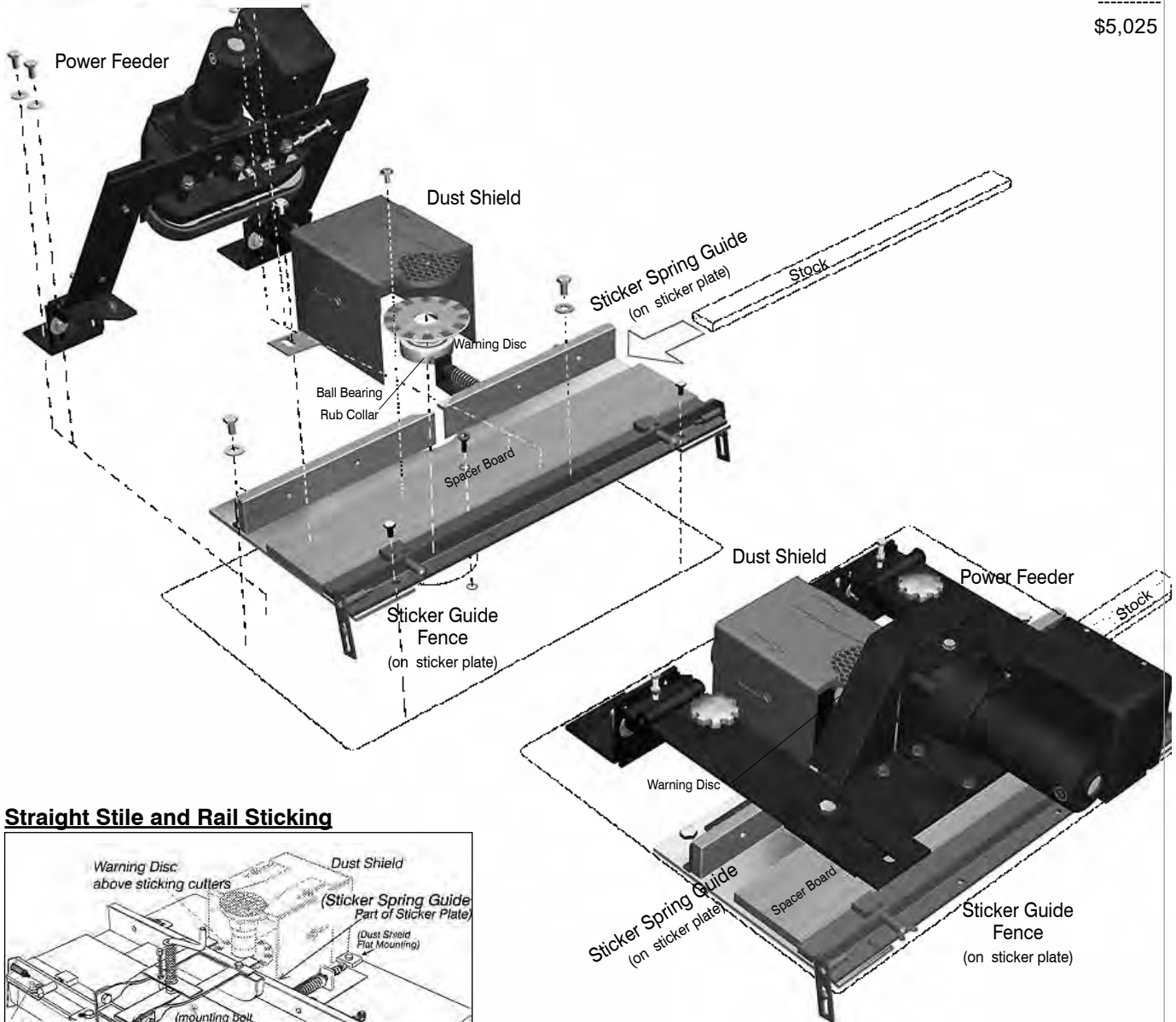
Shaper Essentials™
FLAT MOUNT



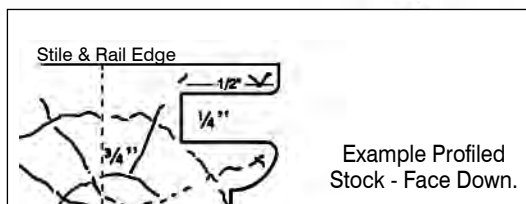
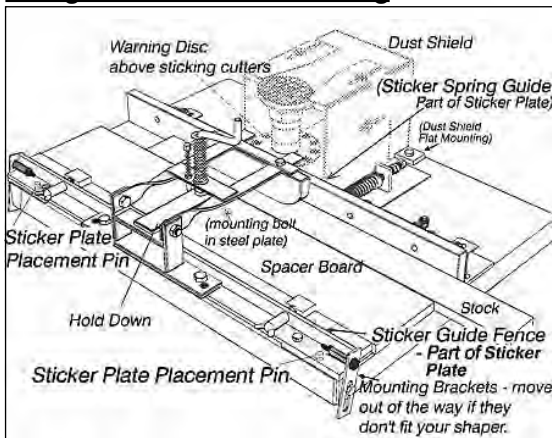
Straight Sticking Setup - Flat Mounting - Sticker Plate

Item#	Description	Price
FE360H	Sticker Plate Setup w/Hold Down	1,043
BBRC	Ball Bearing Rub Collar	107
PF721F	Weaver Variable Speed Power Feeder	3,594
DS455F	Dust Shield - Flat Mount	239
WD	Warning Disc	42

\$5,025



Straight Stile and Rail Sticking



MANUFACTURED IN U.S.A.

www.weaver-company.com

Phone 1-913-831-1800

CALL TOLL FREE 1-800-255-6214

Fax 1-913-831-2974

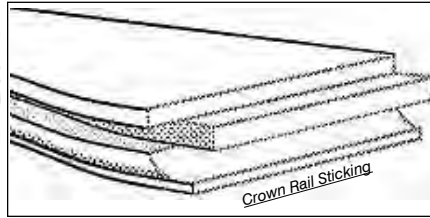
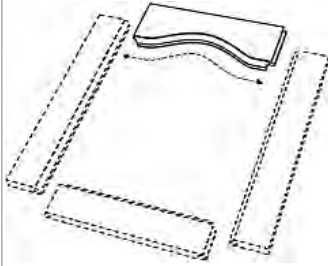
Copyright © 2022 all Rights Reserved

WEAVER COMPANY - 1108 SOUTH 37TH STREET - KANSAS CITY, KS 66106 USA

- 145 -

Crown Rail Sticking

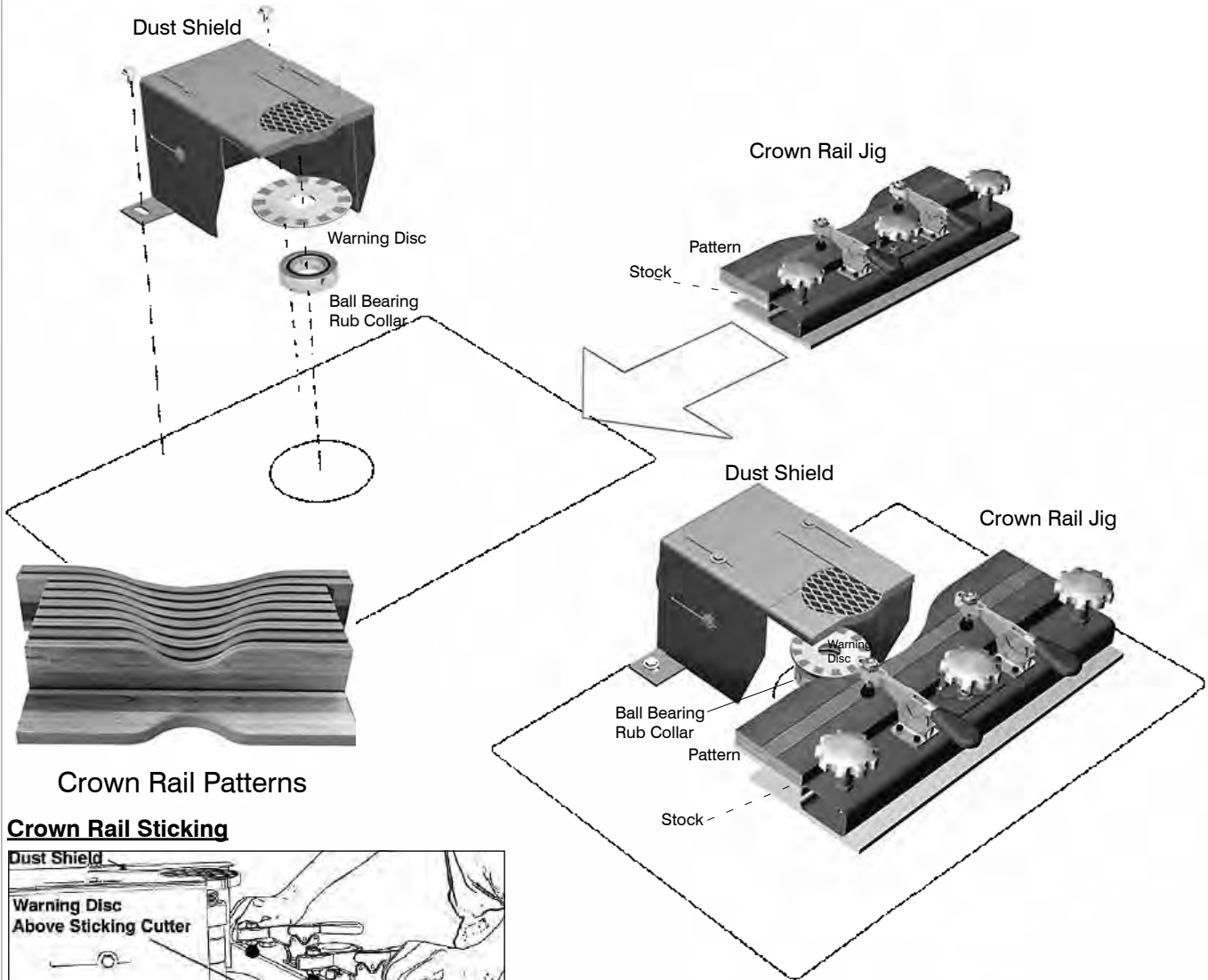
Manual Setup



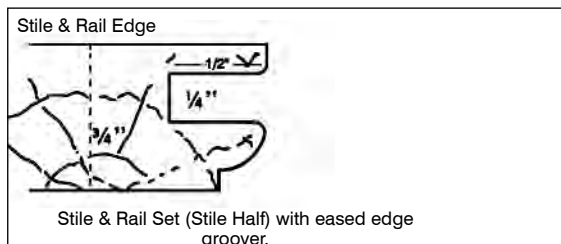
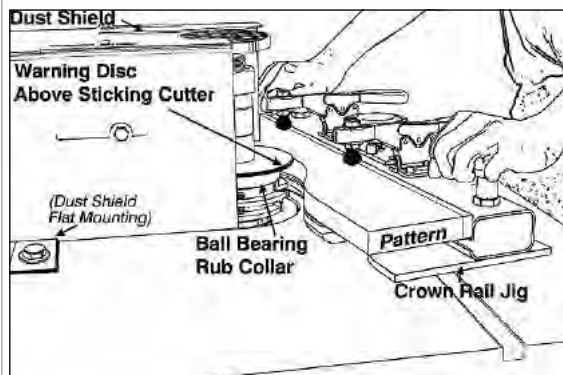
Crown Rail Sticking Setup - Flat Mount - Manual Jig

Item#	Description	Price
BBRC	Ball Bearing Rub Collar	107
PA427	Hardwood Patterns 1-1/2" Crown Rail	318
JM330	Crown Rail Jig	558
DS455F	Dust Shield for Curved & Straight Rail	239
WD	Warning Disc	42

\$1,264



Crown Rail Sticking



Top Rail needs to be rough band sawed (approx. 1/8" larger than finished rail) before crown rail sticking.

MANUFACTURED IN U.S.A.

Phone 1-913-831-1800

CALL TOLL FREE 1-800-255-6214

Fax 1-913-831-2974

WEAVER

Straight Stile & Rail Sticking

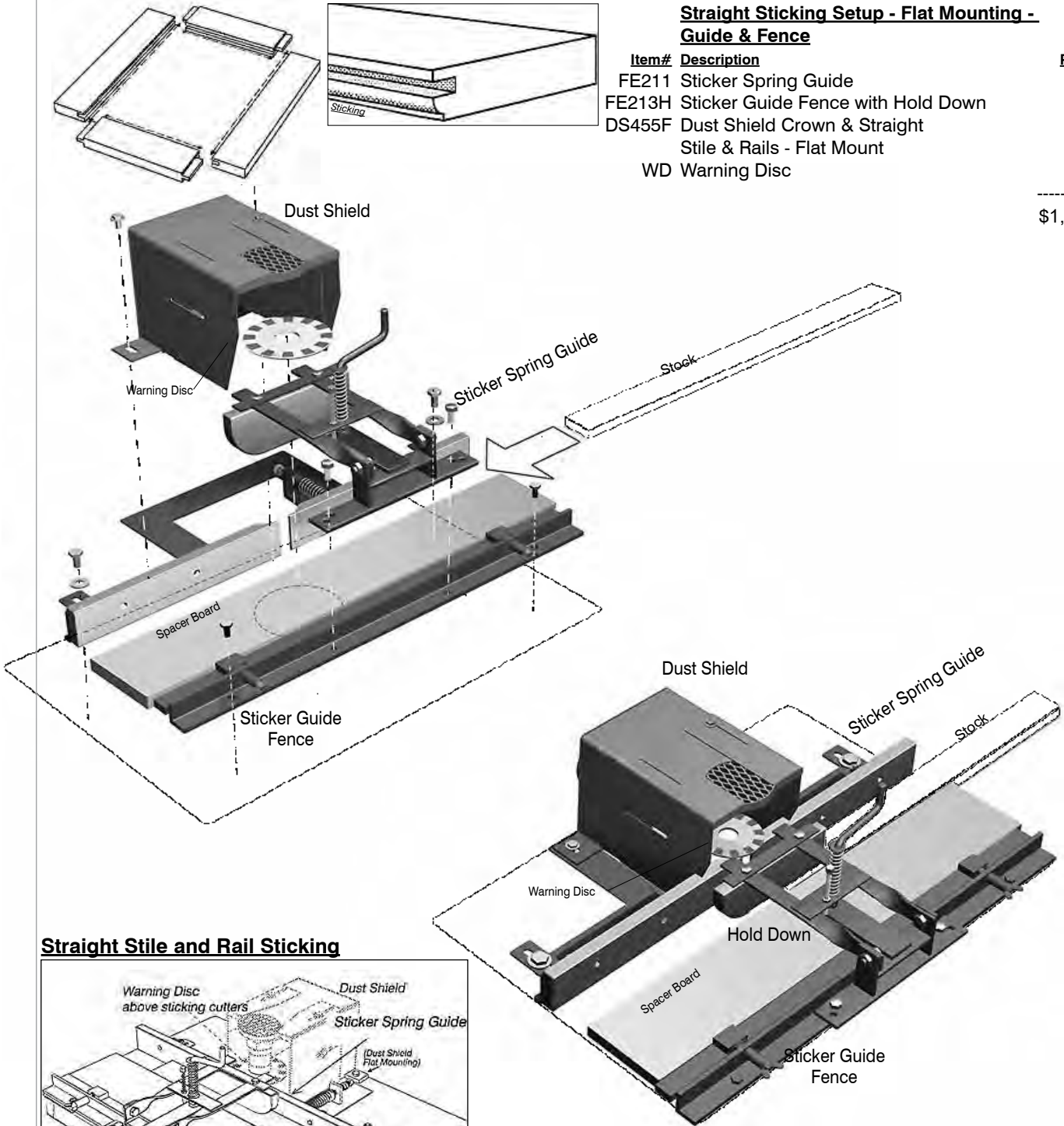
Sticker Guide & Fence with Hold Down

Shaper Essentials™
FLAT MOUNT

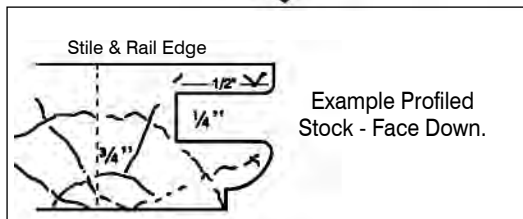
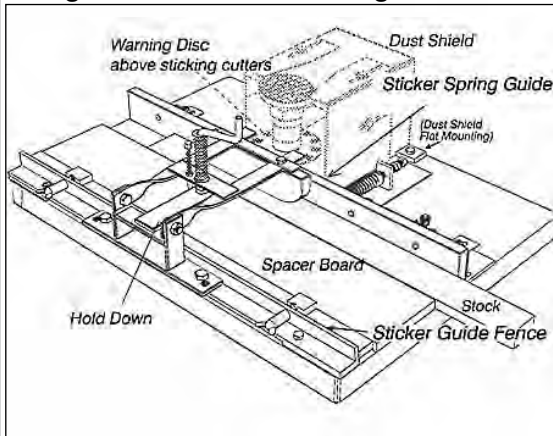
Straight Sticking Setup - Flat Mounting - Guide & Fence

Item#	Description	Price
FE211	Sticker Spring Guide	395
FE213H	Sticker Guide Fence with Hold Down	431
DS455F	Dust Shield Crown & Straight Stile & Rails - Flat Mount	239
WD	Warning Disc	54

		\$1,119



Straight Stile and Rail Sticking



MANUFACTURED IN U.S.A.

www.weaver-company.com

Phone 1-913-831-1800

CALL TOLL FREE 1-800-255-6214

Fax 1-913-831-2974

Copyright © 2022 all Rights Reserved

WEAVER COMPANY - 1108 SOUTH 37TH STREET - KANSAS CITY, KS 66106 USA

- 147 -

Straight Stile & Rail Sticking

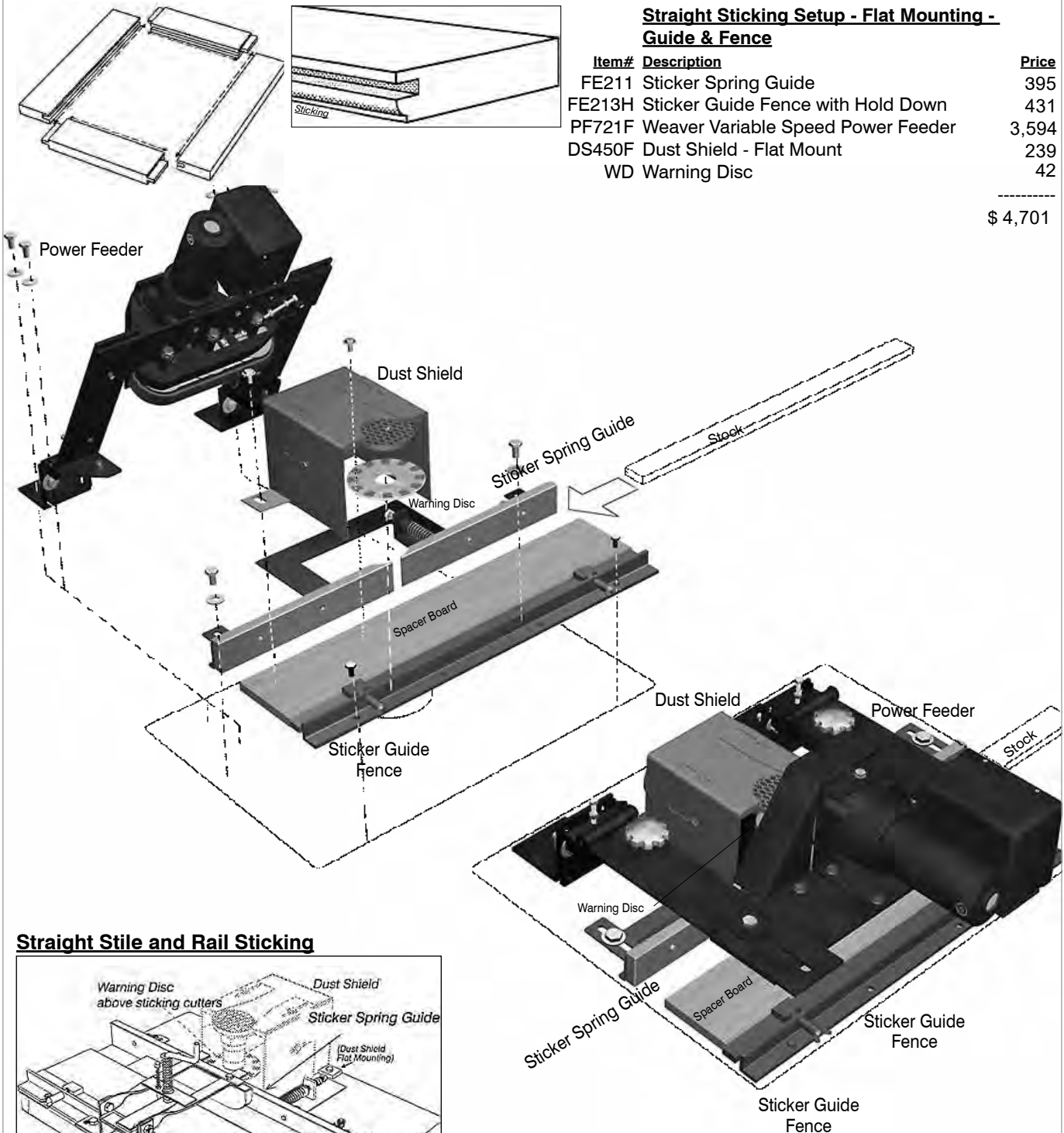
Sticker Guide & Fence with Power Feeder

WEAVER

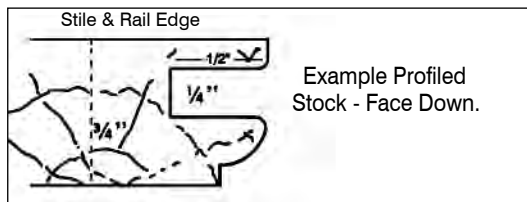
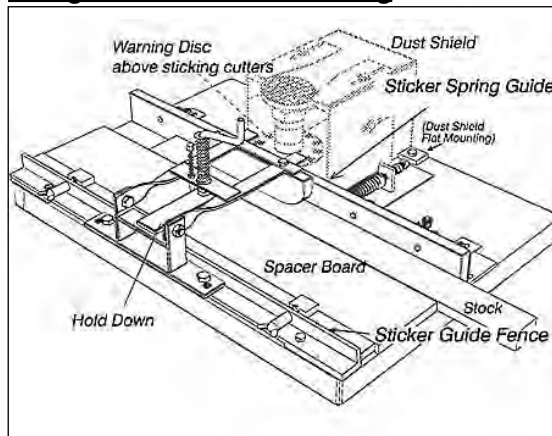
Straight Sticking Setup - Flat Mounting - Guide & Fence

Item#	Description	Price
FE211	Sticker Spring Guide	395
FE213H	Sticker Guide Fence with Hold Down	431
PF721F	Weaver Variable Speed Power Feeder	3,594
DS450F	Dust Shield - Flat Mount	239
WD	Warning Disc	42

\$ 4,701



Straight Stile and Rail Sticking



MANUFACTURED IN U.S.A.

Phone 1-913-831-1800

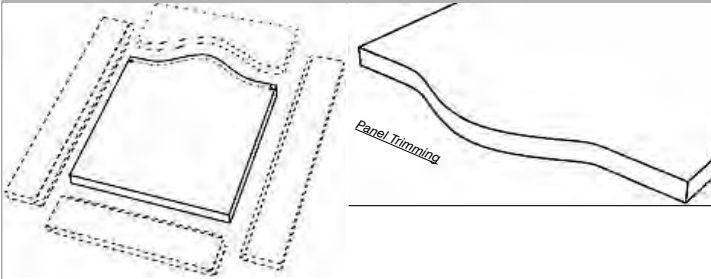
CALL TOLL FREE 1-800-255-6214

Fax 1-913-831-2974

WEAVER

Crown Panel Trimming Manual Jig

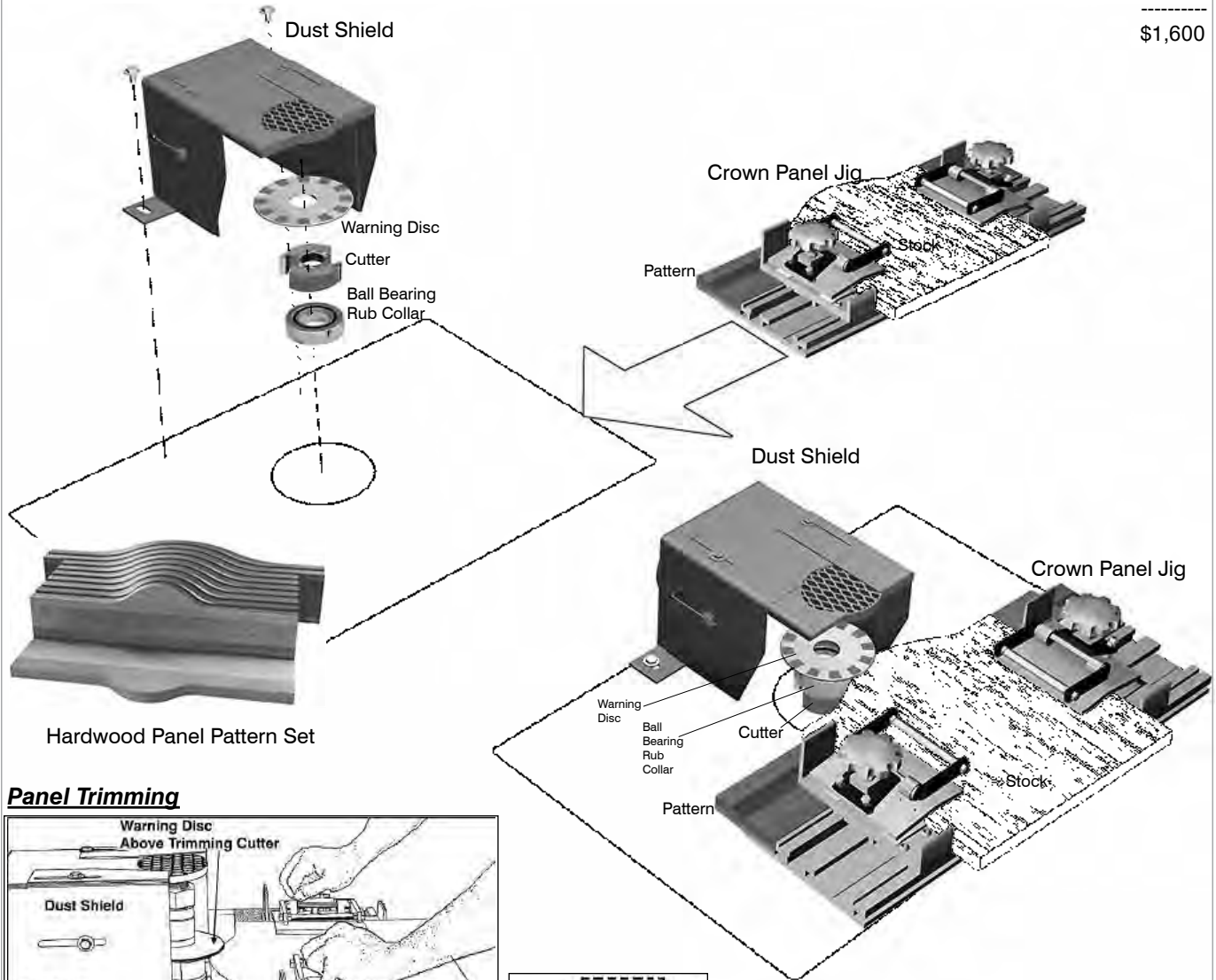
Shaper Essentials™
FLAT MOUNT



Panel Trimming Setup - Flat Mounting - Manual Jig

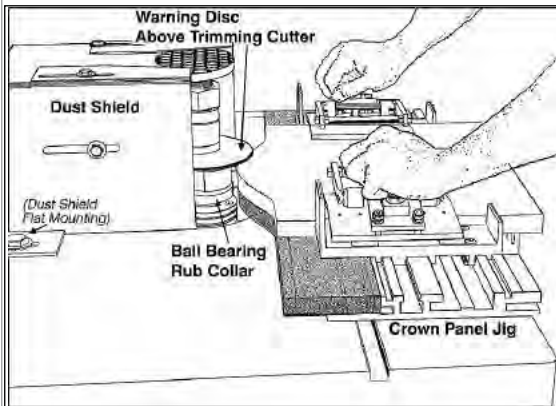
Item#	Description	Price
JM310	Manual Crown Panel Jig	594
PA417	Hardwood Patterns-1-1/2" Crown Panel	318
FRE8389	Panel Trimming Cutter 2W Carbide Square Edge	299
BB	Ball Bearing Rub Collar	107
DS472F	Dust Shield for Panel Trimming	239
WD	Warning Disc	42

		\$1,600

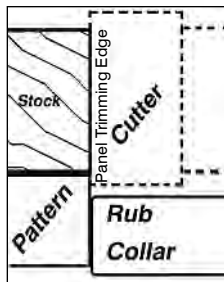


Hardwood Panel Pattern Set

Panel Trimming



Panel Stock will need to be rough band sawed (approx. 1/8" larger than finished panel) before crown panel trimming.



MANUFACTURED IN U.S.A.

www.weaver-company.com

Phone 1-913-831-1800

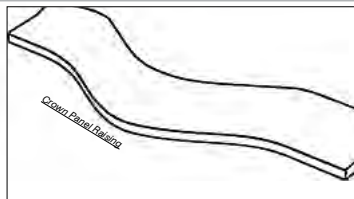
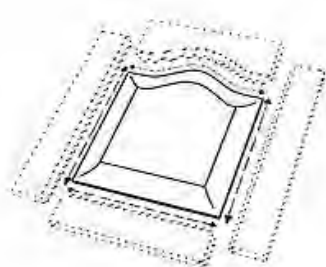
CALL TOLL FREE 1-800-255-6214

Fax 1-913-831-2974

Copyright © 2022 all Rights Reserved

WEAVER COMPANY - 1108 SOUTH 37TH STREET - KANSAS CITY, KS 66106 USA

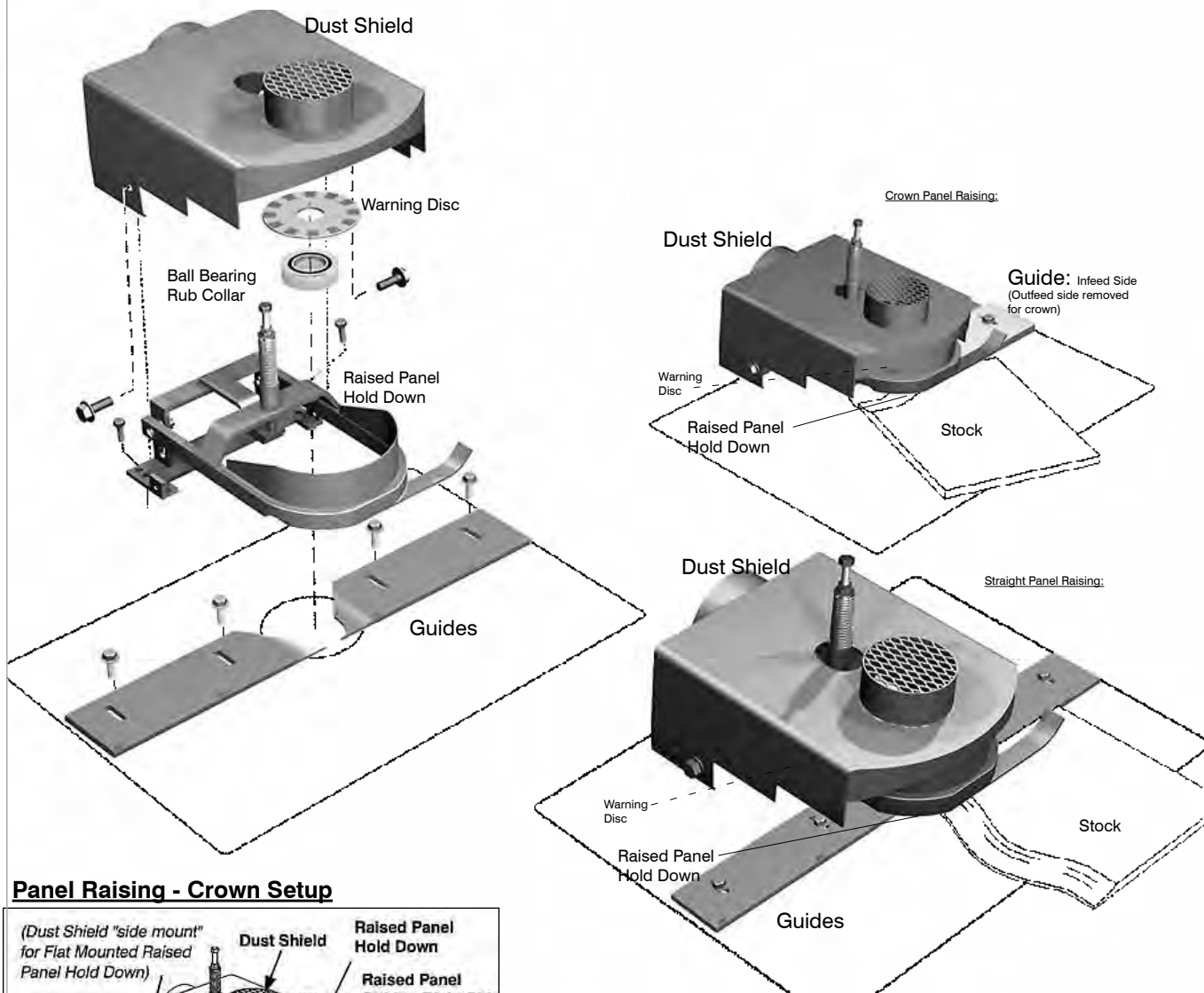
- 149 -



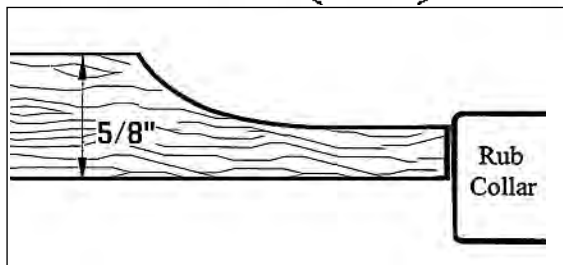
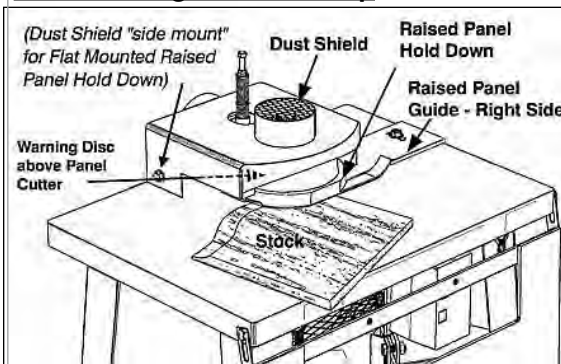
**Panel Raising Setup -
Flat Mounting - Single Raise with Hold Down**

Item#	Description	Price
RPA0128	Raised Panel Guides	299
HD4300FS	Raised Panel Hold Down	419
DS497S	Dust Shield for Raised Panel	359
BBRC	Ball Bearing Rub Collar	107
WD	Warning Disc	47

\$1,231



Panel Raising - Crown Setup



MANUFACTURED IN U.S.A.

www.weaver-company.com

Phone 1-913-831-1800

CALL TOLL FREE 1-800-255-6214

Fax 1-913-831-2974

WEAVER

Panel Raising

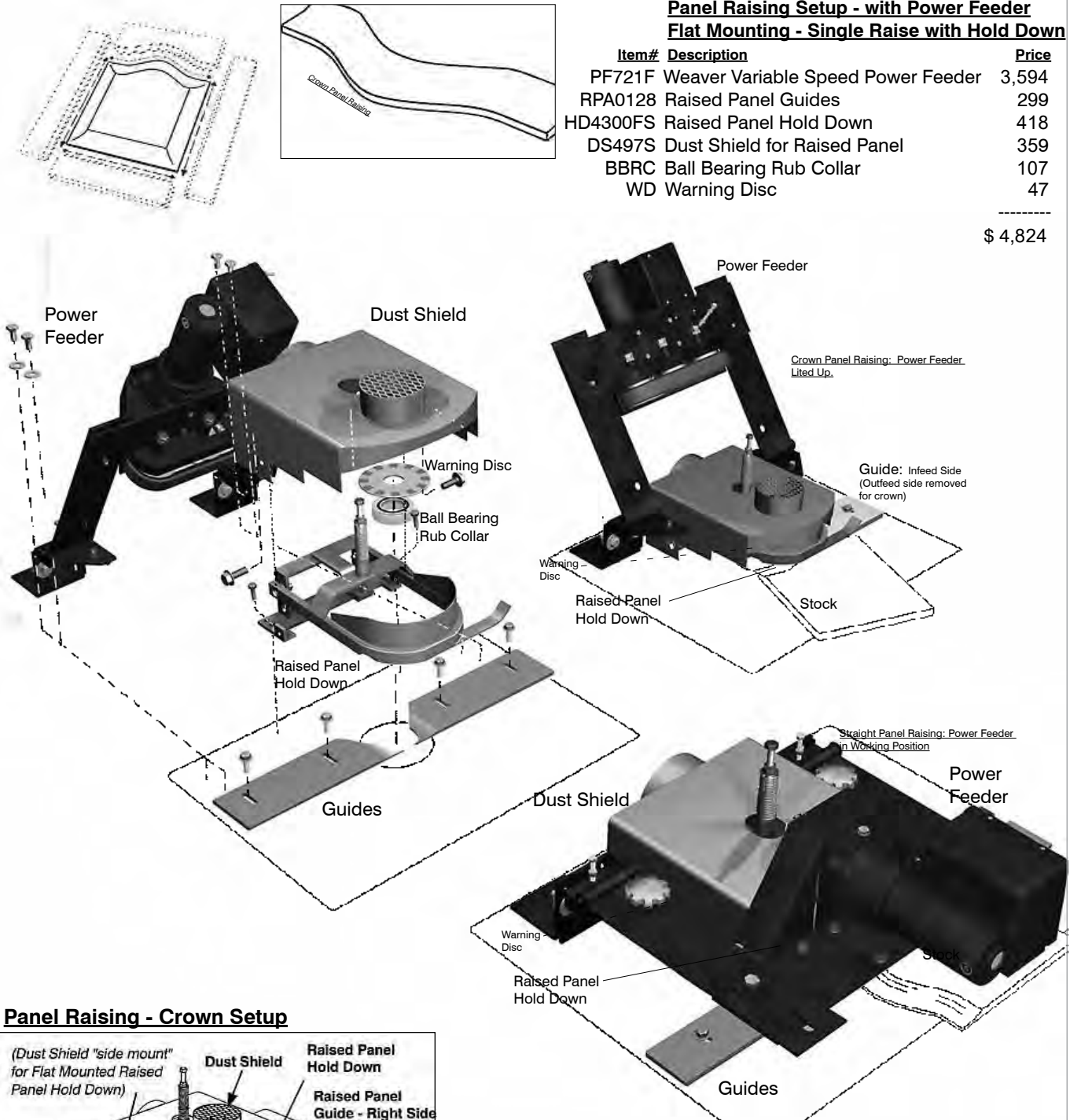
Shaper Essentials™
FLAT MOUNT

Single Raise with Hold Down & Power Feeder

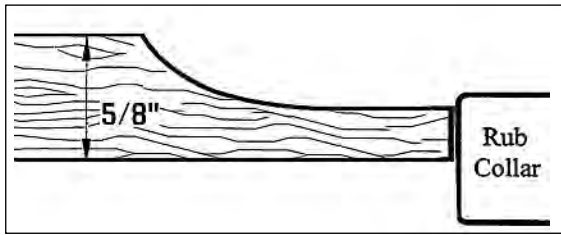
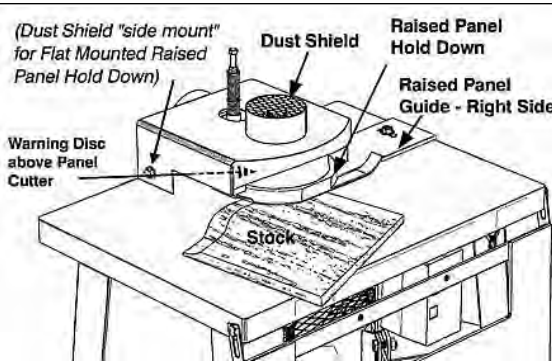
Panel Raising Setup - with Power Feeder Flat Mounting - Single Raise with Hold Down

Item#	Description	Price
PF721F	Weaver Variable Speed Power Feeder	3,594
RPA0128	Raised Panel Guides	299
HD4300FS	Raised Panel Hold Down	418
DS497S	Dust Shield for Raised Panel	359
BBRC	Ball Bearing Rub Collar	107
WD	Warning Disc	47

\$ 4,824



Panel Raising - Crown Setup



MANUFACTURED IN U.S.A.

www.weaver-company.com

Phone 1-913-831-1800

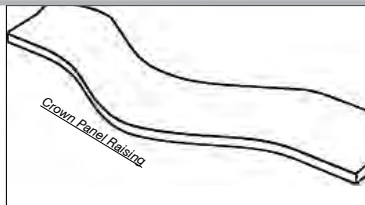
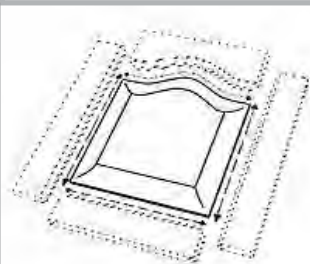
CALL TOLL FREE 1-800-255-6214

Fax 1-913-831-2974

Copyright © 2022 all Rights Reserved

WEAVER COMPANY - 1108 SOUTH 37TH STREET - KANSAS CITY, KS 66106 USA

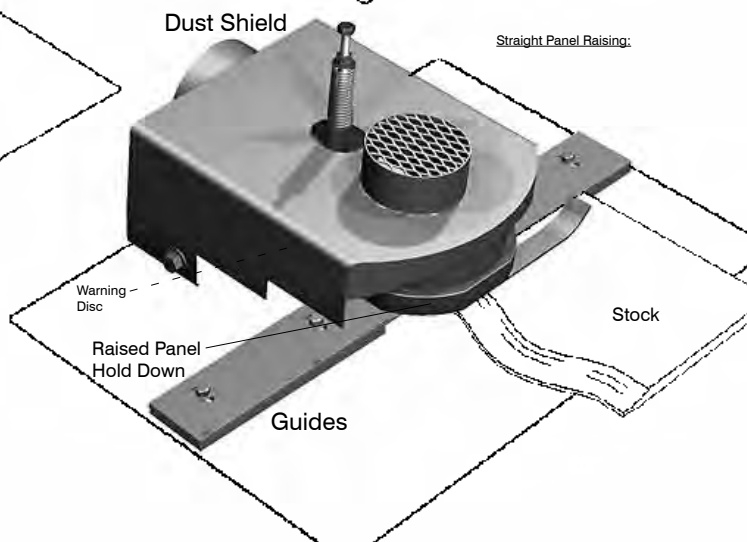
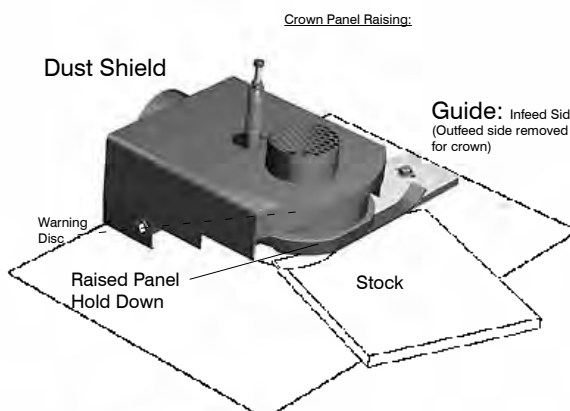
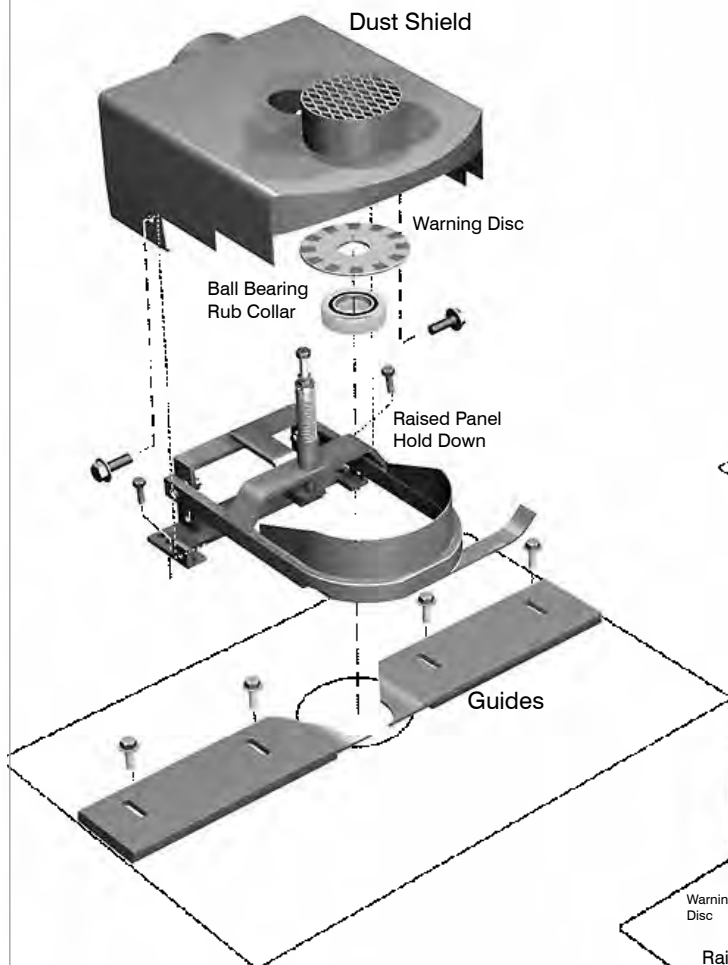
- 151 -



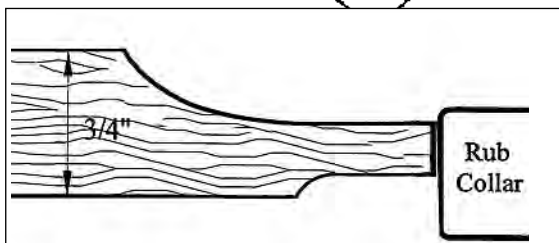
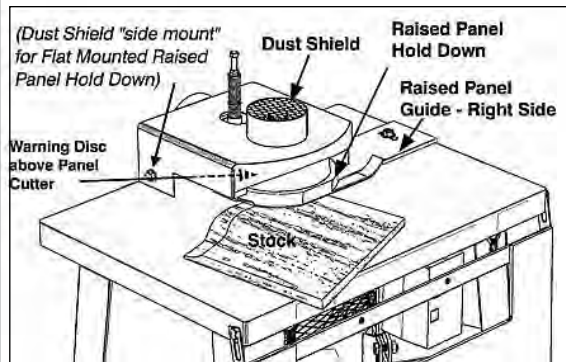
**Panel Raising Setup -
Flat Mounting - Partial Offset with Hold Down**

Item#	Description	Price
RPA0228	Offset Raised Panel Guides	299
HD4300FS	Raised Panel Hold Down	419
DS497S	Dust Shield for Raised Panel	359
BBRC	Ball Bearing Rub Collar	107
WD	Warning Disc	47

\$1,231



Panel Raising - Crown Setup



MANUFACTURED IN U.S.A.

Phone 1-913-831-1800

CALL TOLL FREE 1-800-255-6214

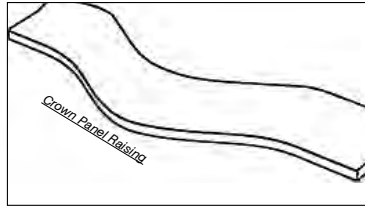
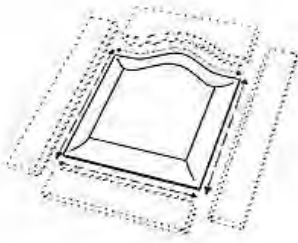
Fax 1-913-831-2974

WEAVER

Panel Raising

Shaper Essentials™
FLAT MOUNT

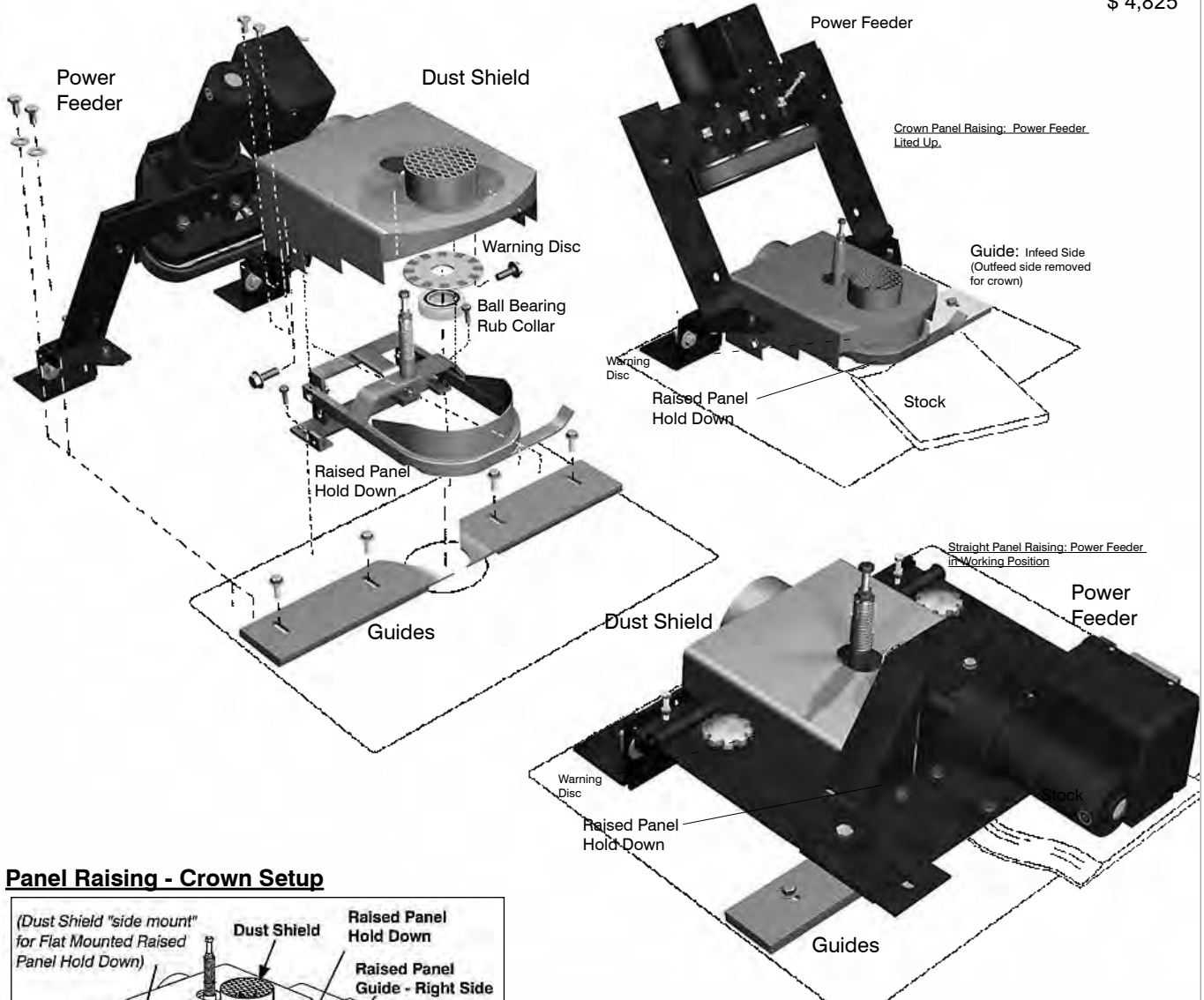
Partial Offset with Hold Down & Power Feeder



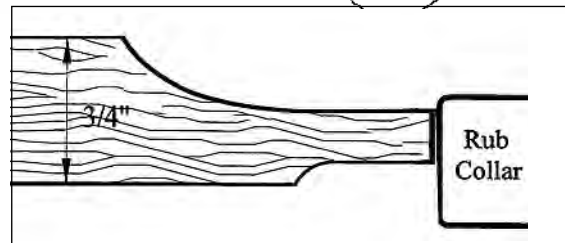
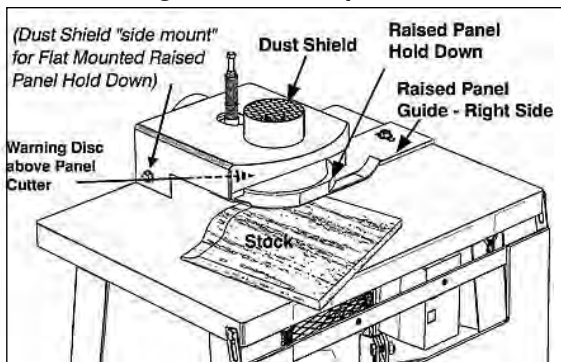
Panel Raising Setup - with Power Feeder Flat Mounting - Partial Offset with Hold Down

Item#	Description	Price
PF721F	Weaver Variable Speed Power Feeder	3,594
RPA0228	Offset Raised Panel Guides	299
HD4300FS	Raised Panel Hold Down	419
DS497S	Dust Shield for Raised Panel	359
BBRC	Ball Bearing Rub Collar	107
WD	Warning Disc	47

		\$ 4,825



Panel Raising - Crown Setup



MANUFACTURED IN U.S.A.

www.weaver-company.com

Phone 1-913-831-1800

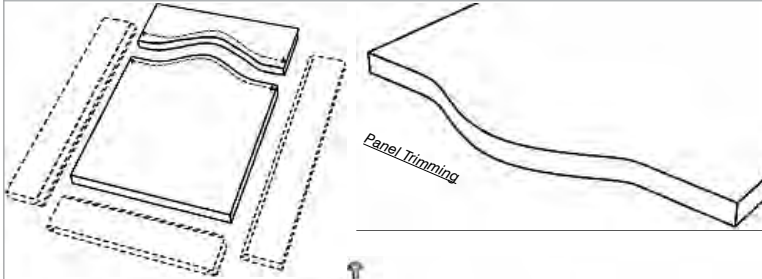
CALL TOLL FREE 1-800-255-6214

Fax 1-913-831-2974

Copyright © 2022 all Rights Reserved

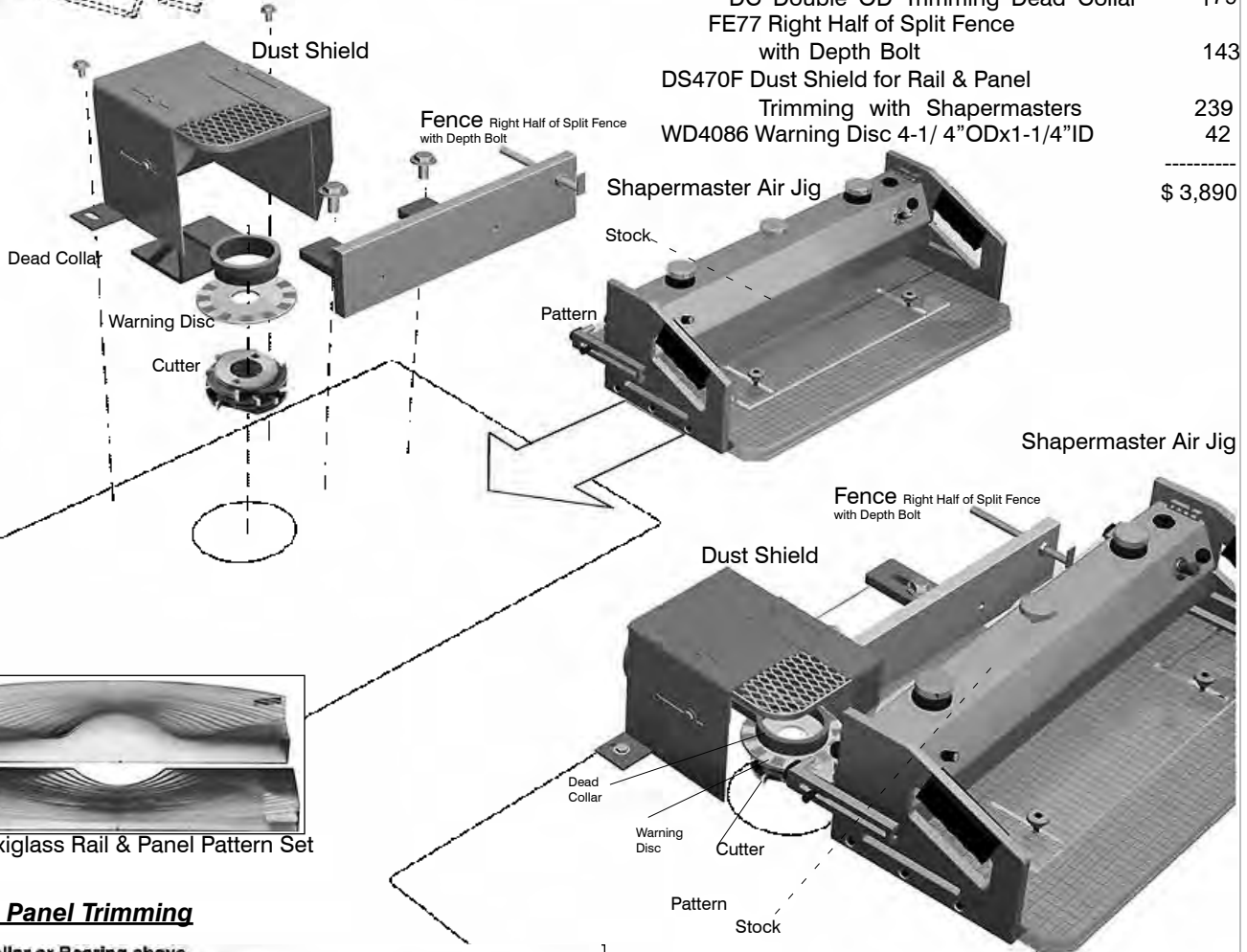
WEAVER COMPANY - 1108 SOUTH 37TH STREET - KANSAS CITY, KS 66106 USA

- 153 -



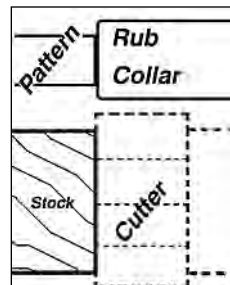
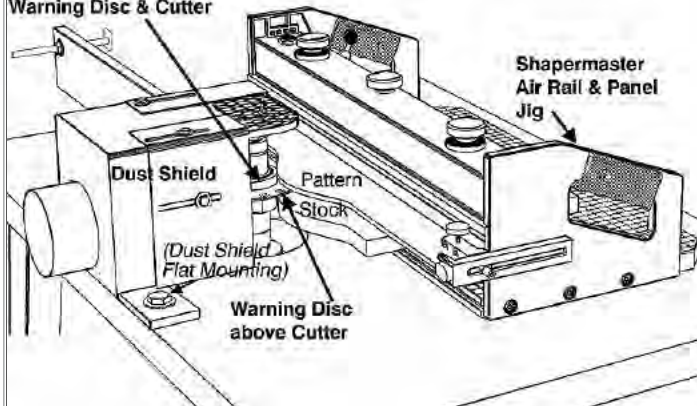
Rail & Panel Trimming Setup - Flat Mounting - Air Jig

Item#	Description	Price
AJ2402	Shapermaster 24" x 12"	2,394
PA2417	Plexiglass Patterns - 1-1/2" Crown Rail & Panel	455
C9936V	Trimming Cutter (stacked square edge)	438
DC	Double OD Trimming Dead Collar	179
FE77	Right Half of Split Fence with Depth Bolt	143
DS470F	Dust Shield for Rail & Panel Trimming with Shapermasters	239
WD4086	Warning Disc 4-1/4" OD x 1-1/4" ID	42
Shapermaster Air Jig		\$ 3,890



Rail & Panel Trimming

Rub Collar or Bearing above Warning Disc & Cutter



MANUFACTURED IN U.S.A.

Phone 1-913-831-1800

CALL TOLL FREE 1-800-255-6214

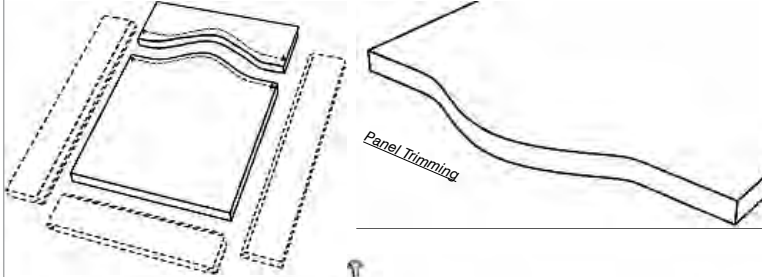
Fax 1-913-831-2974

WEAVER

Crown Rail & Panel Trimming

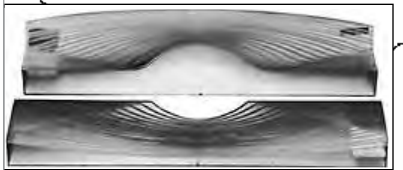
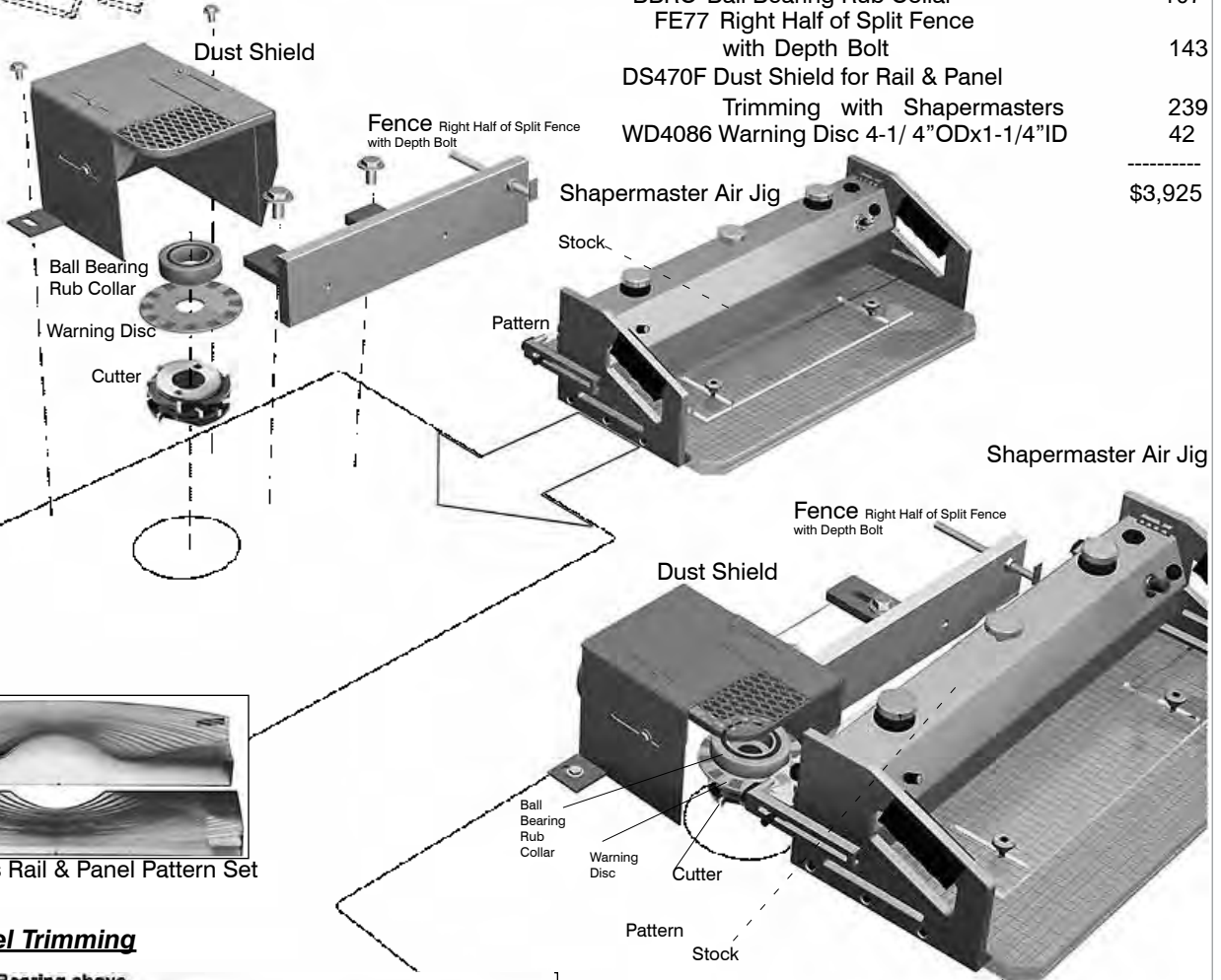
Shapermaster™ Air Jig - Bearing

Shaper Essentials™
FLAT MOUNT



Rail & Panel Trimming Setup - Flat Mounting - Air Jig

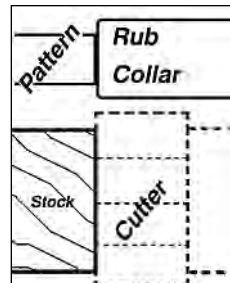
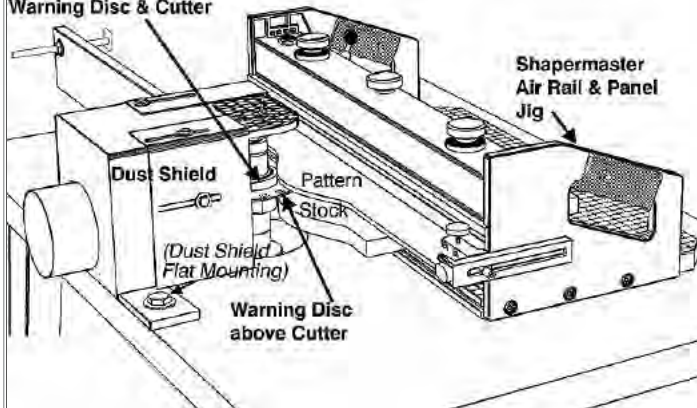
Item#	Description	Price
AJ2402	Shapermaster 24" x 12"	2,394
PA2417	Plexiglass Patterns - 1-1/2" Crown Rail & Panel	455
C9936V	Trimming Cutter (stacked square edge)	438
BB3146	Ball Bearing Rub Collar	107
BBRC	Ball Bearing Rub Collar	107
FE77	Right Half of Split Fence with Depth Bolt	143
DS470F	Dust Shield for Rail & Panel Trimming with Shapermasters	239
WD4086	Warning Disc 4-1/4"ODx1-1/4"ID	42
Shapermaster Air Jig		\$3,925



Plexiglass Rail & Panel Pattern Set

Rail & Panel Trimming

Rub Collar or Bearing above
Warning Disc & Cutter



MANUFACTURED IN U.S.A.

www.weaver-company.com

Phone 1-913-831-1800

CALL TOLL FREE 1-800-255-6214

Fax 1-913-831-2974

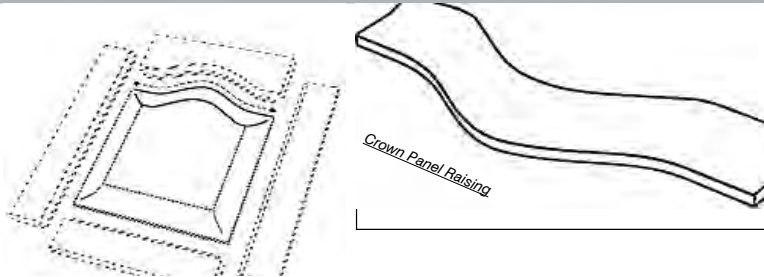
Copyright © 2022 all Rights Reserved

WEAVER COMPANY - 1108 SOUTH 37TH STREET - KANSAS CITY, KS 66106 USA

- 155 -

Crown Panel Raising

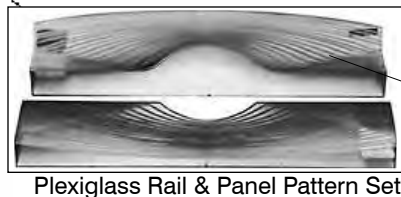
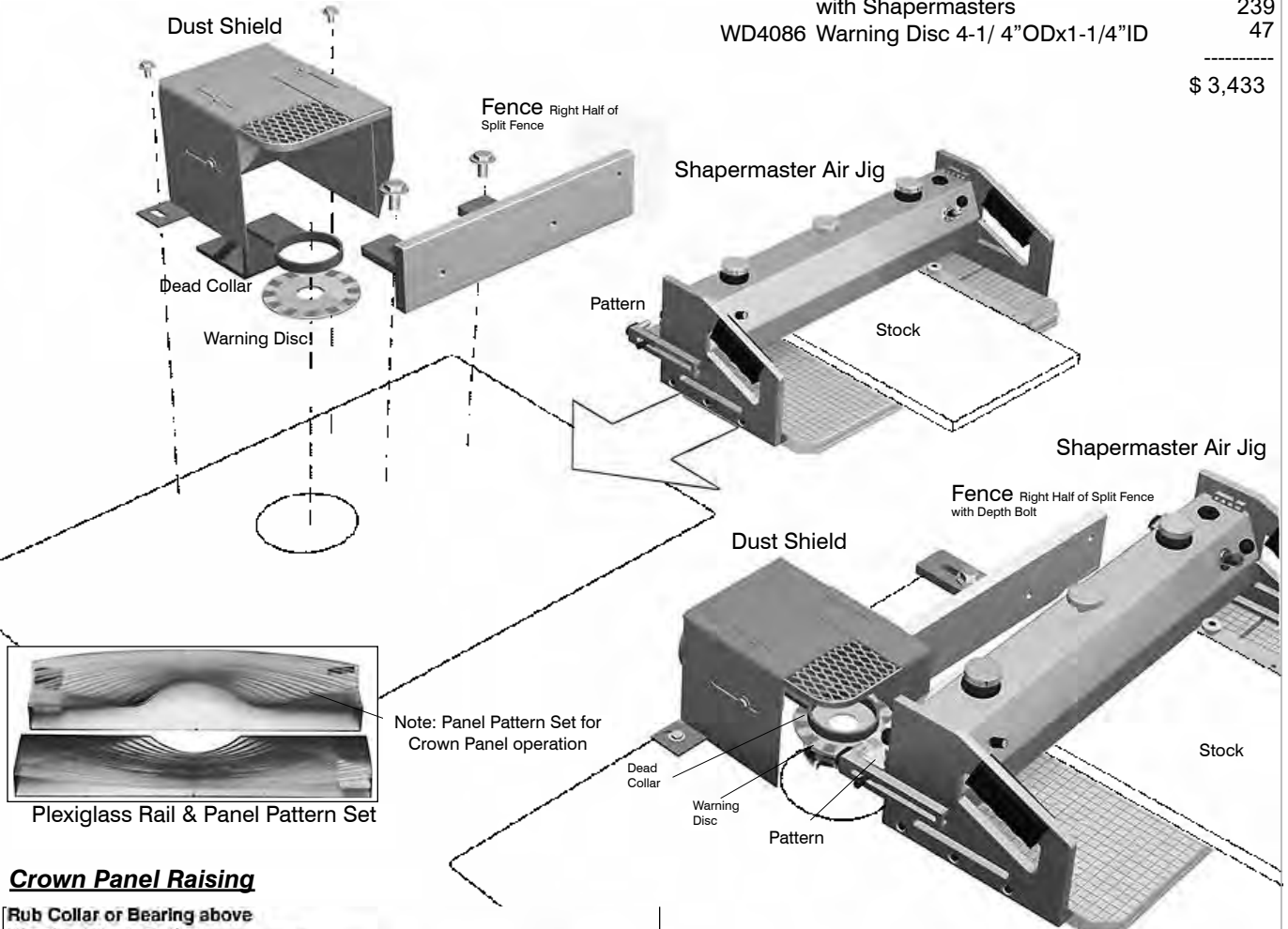
Shapermaster™ Air Jig - Dead Collar



Crown Panel Raising Setup - Flat Mounting - Air Jig

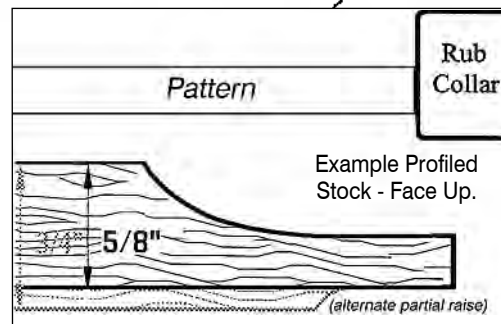
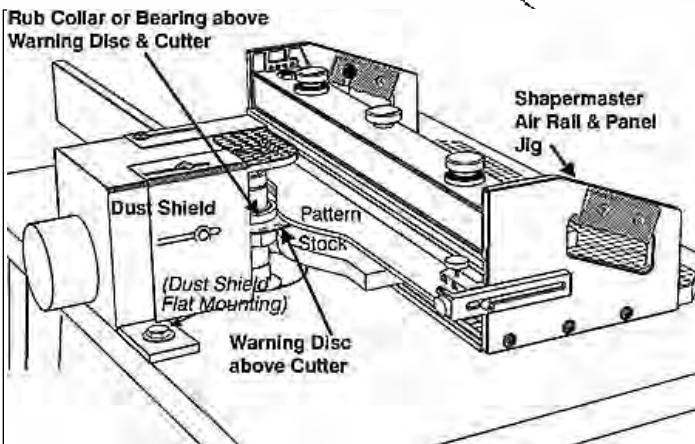
Item#	Description	Price
AJ2402	Shapermaster 24" x 12"	2,394
PA2417	Plexiglass Patterns - 1-1/2" Crown Rail & Panel	455
DC	Dead Collar	155
FE78	Right Half of Split Fence	143
DS470F	Dust Shield for Rail & Panel with Shapermasters	239
WD4086	Warning Disc 4-1/4"ODx1-1/4"ID	47

		\$ 3,433



Note: Panel Pattern Set for Crown Panel operation

Crown Panel Raising



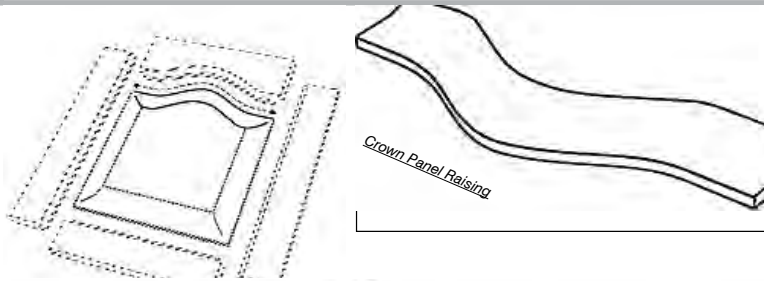
MANUFACTURED IN U.S.A.

WEAVER

Crown Panel Raising

Shapermaster™ Air Jig - Bearing

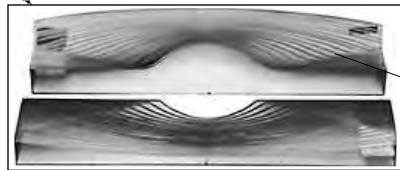
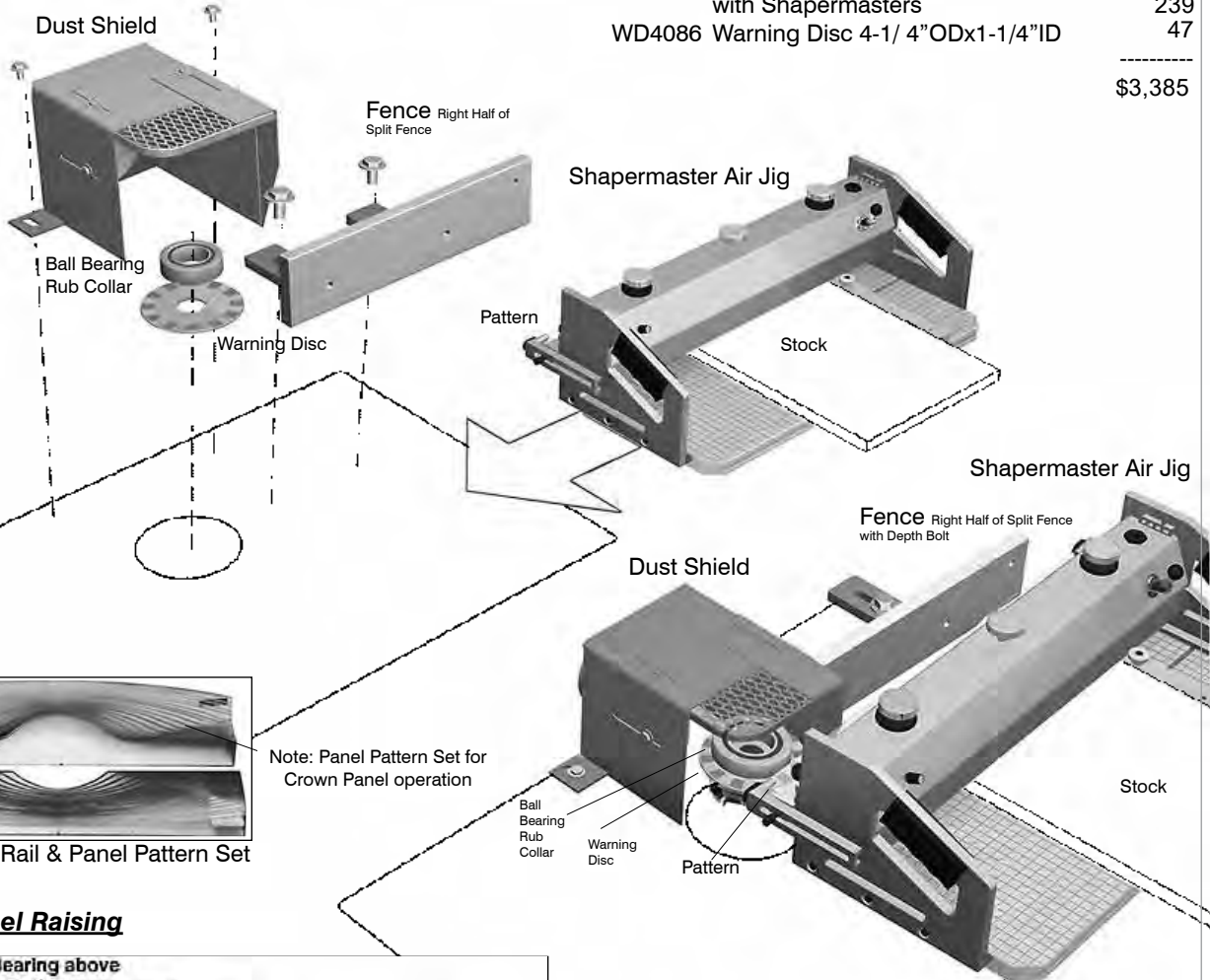
Shaper Essentials™
FLAT MOUNT



Crown Panel Raising Setup - Flat Mounting - Air Jig

Item#	Description	Price
AJ2402	Shapermaster 24" x 12"	2,394
PA2417	Plexiglass Patterns - 1-1/2" Crown Rail & Panel	455
BBRC	Ball Bearing Rub Collar	107
FE78	Right Half of Split Fence	143
DS470F	Dust Shield for Rail & Panel with Shapermasters	239
WD4086	Warning Disc 4-1/4"ODx1-1/4"ID	47

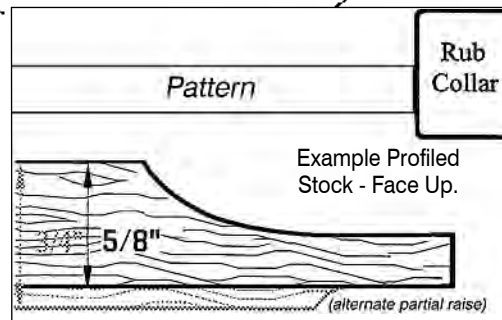
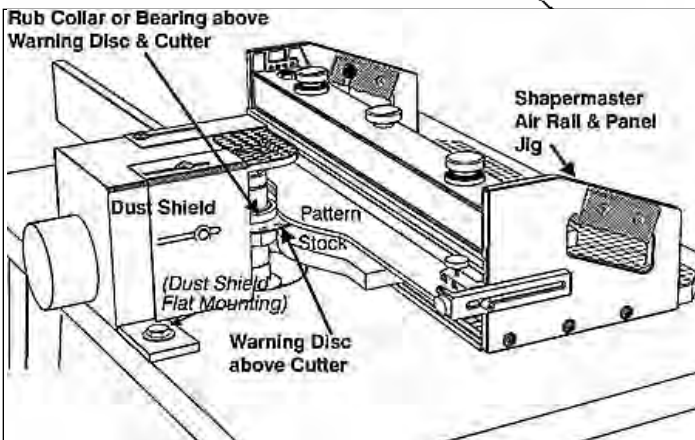
		\$3,385



Plexiglass Rail & Panel Pattern Set

Note: Panel Pattern Set for Crown Panel operation

Crown Panel Raising



MANUFACTURED IN U.S.A.

www.weaver-company.com

Phone 1-913-831-1800

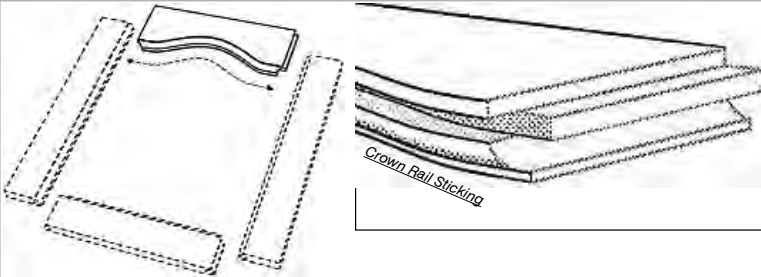
CALL TOLL FREE 1-800-255-6214

Fax 1-913-831-2974

Copyright © 2022 all Rights Reserved

WEAVER COMPANY - 1108 SOUTH 37TH STREET - KANSAS CITY, KS 66106 USA

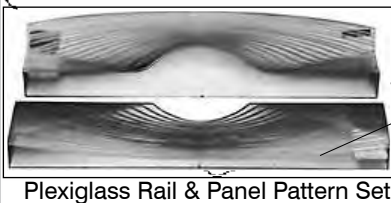
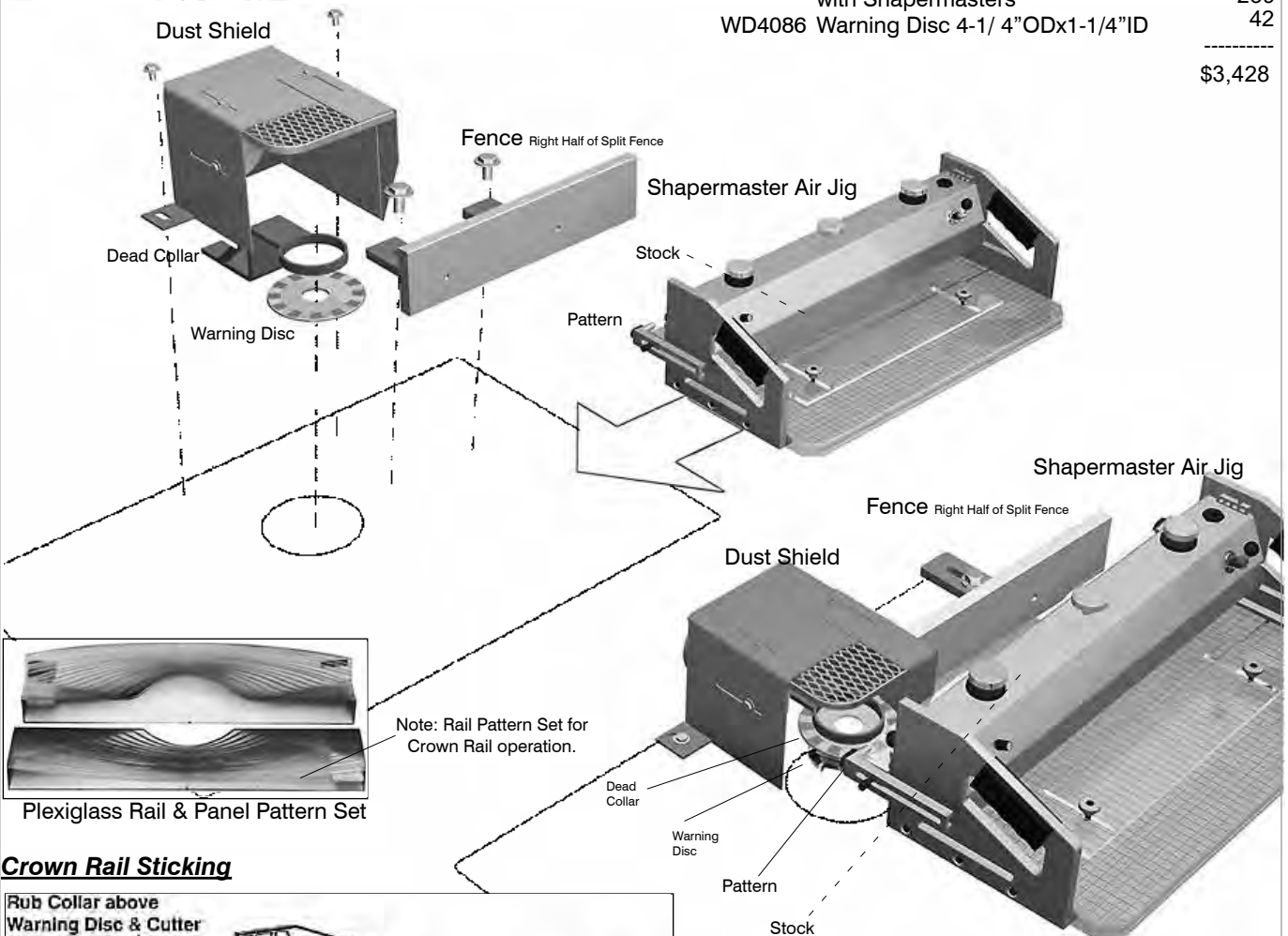
- 157 -



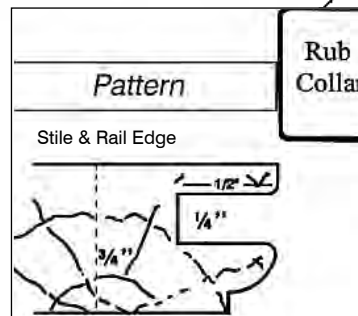
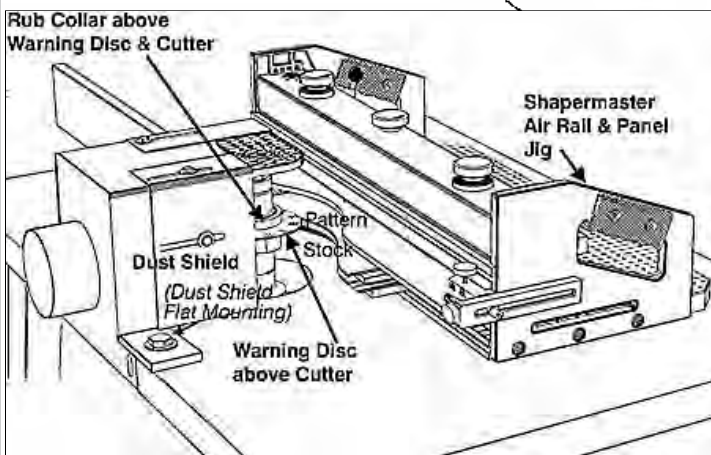
Crown Rail Sticking Setup - Flat Mounting - Air Jig

Item#	Description	Price
AJ2402	Shapermaster 24" x 12"	2,394
PA2417	Plexiglass Patterns - 1-1/2" Crown Rail & Panel	455
DC	Dead Collar	155
FE78	Right Half of Split Fence	143
DS470F	Dust Shield for Rail & Panel with Shapermasters	239
WD4086	Warning Disc 4-1/4"ODx1-1/4"ID	42

		\$3,428



Crown Rail Sticking



Example Profiled Stock - Face Down.

MANUFACTURED IN U.S.A.

Phone 1-913-831-1800

CALL TOLL FREE 1-800-255-6214

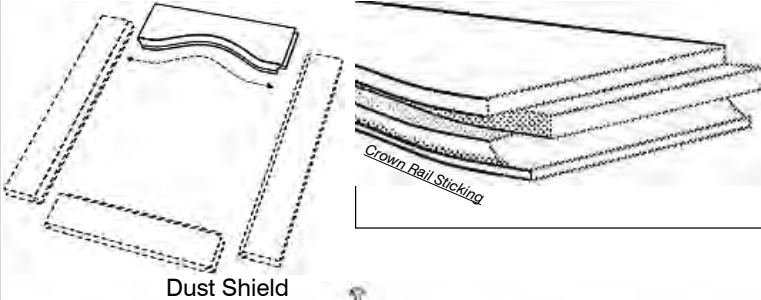
Fax 1-913-831-2974

WEAVER

Crown Rail Sticking

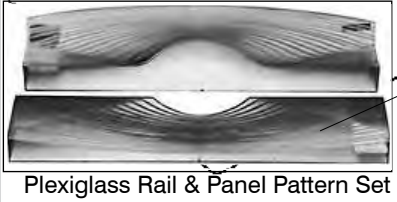
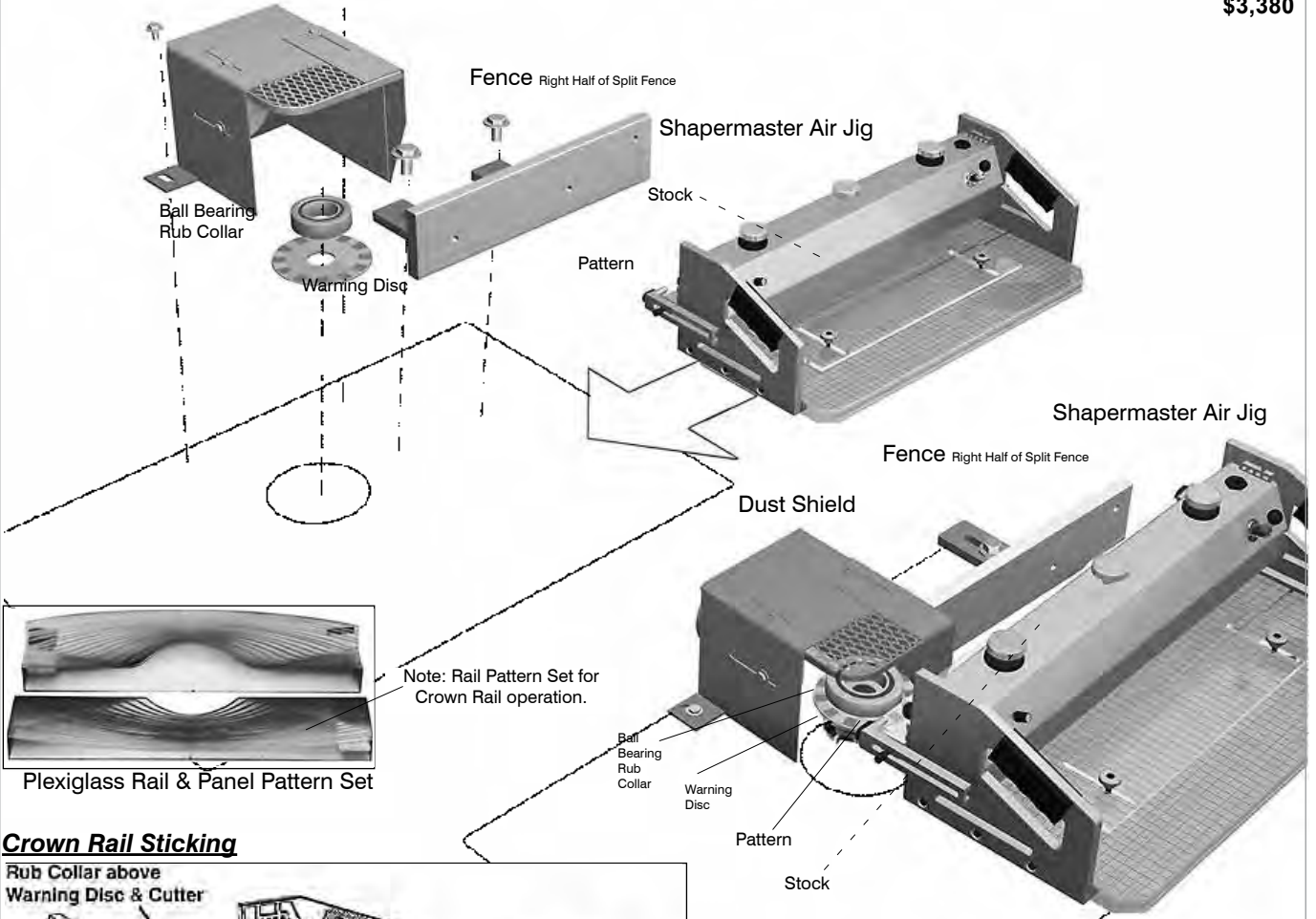
Shapermaster™ Air Jig - Bearing

Shaper Essentials™
FLAT MOUNT



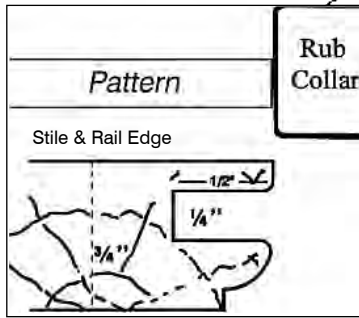
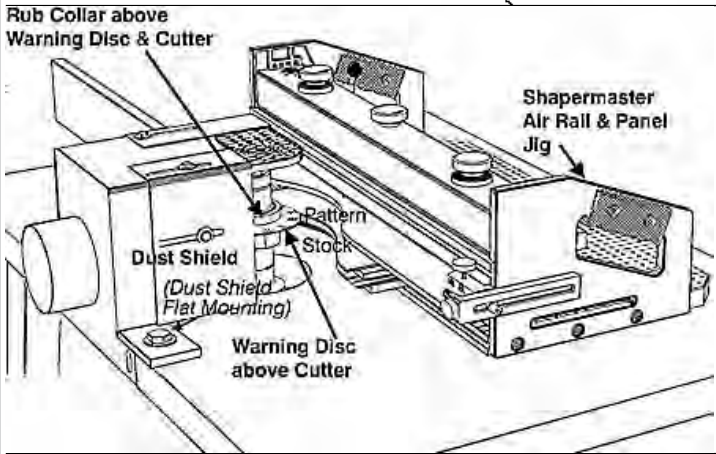
Crown Rail Sticking Setup - Flat Mounting - Air Jig

Item#	Description	Price
AJ2402	Shapermaster 24" x 12"	2,394
PA2417	Plexiglass Patterns - 1-1/2" Crown Rail & Panel	455
BBRC	Ball Bearing Rub Collar	107
FE78	Right Half of Split Fence	143
DS470F	Dust Shield for Rail & Panel with Shapermasters	239
WD4086	Warning Disc 4-1/4"ODx1-1/4"ID	42
		\$3,380



Note: Rail Pattern Set for Crown Rail operation.

Crown Rail Sticking



Example Profiled Stock - Face Down.

MANUFACTURED IN U.S.A.

Phone 1-913-831-1800

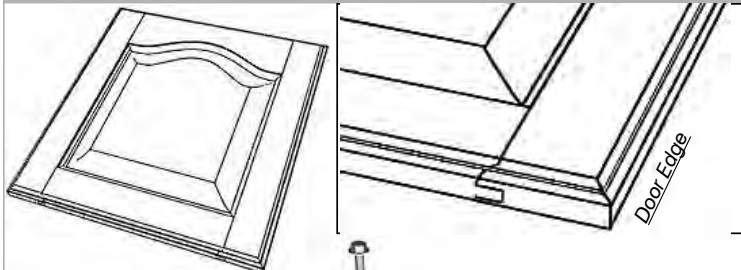
CALL TOLL FREE 1-800-255-6214

Fax 1-913-831-2974

Copyright © 2022 all Rights Reserved

WEAVER COMPANY - 1108 SOUTH 37TH STREET - KANSAS CITY, KS 66106 USA

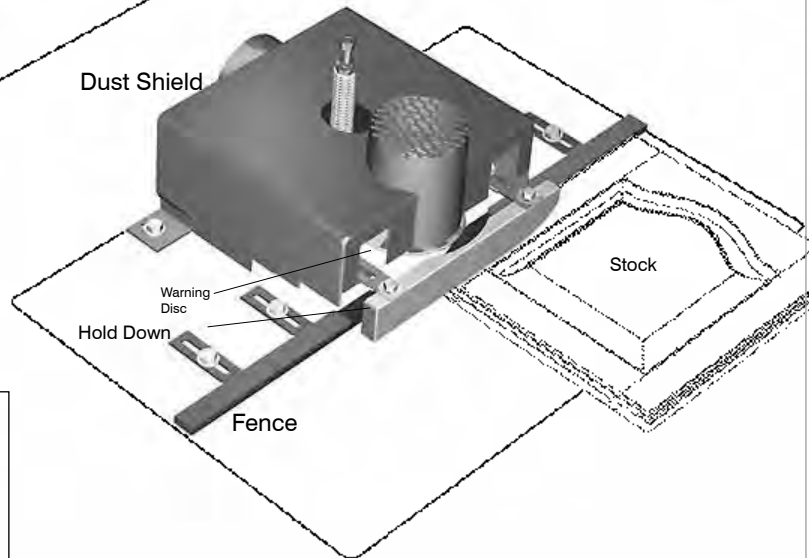
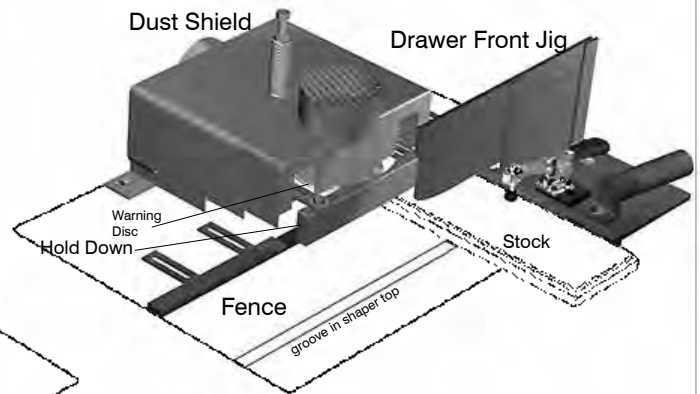
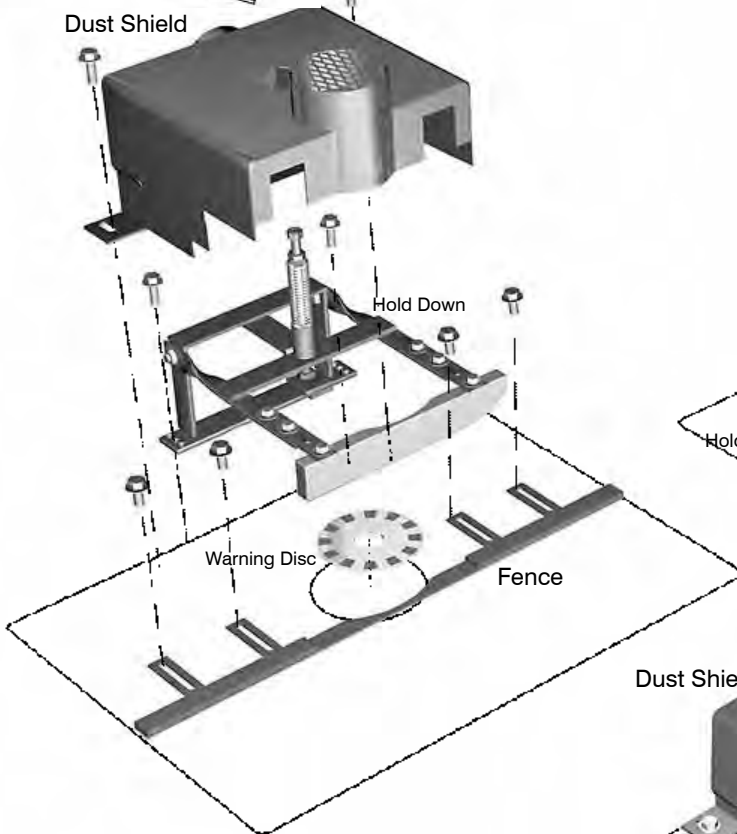
- 159 -



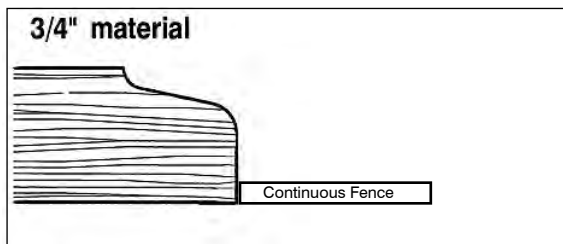
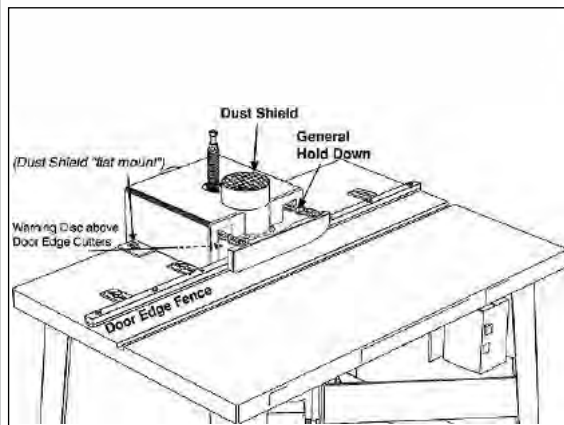
Door Edge Setup - Flat Mount - Continuous Fence (face up)

Item#	Description	Price
FEDE	Continuous Door Edge Fence 40"	359
HD3160	General Hold Down	359
HD222	Drawer Ends Hold Down	359
DS480F	Dust Shield for Door Edge	359
WD5086	Warning Disc	42

		\$1,478



Door Edge - Continuous Fence



MANUFACTURED IN U.S.A.

Phone 1-913-831-1800

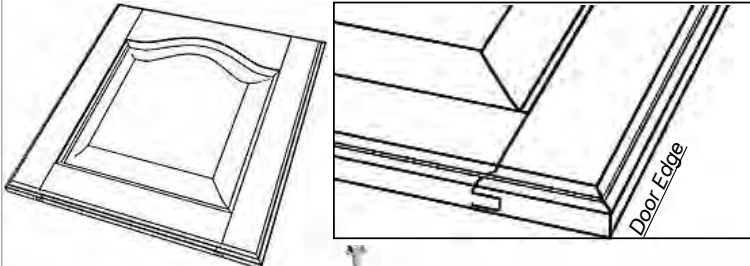
CALL TOLL FREE 1-800-255-6214

Fax 1-913-831-2974

WEAVER

**Door Edge
Split Fence**

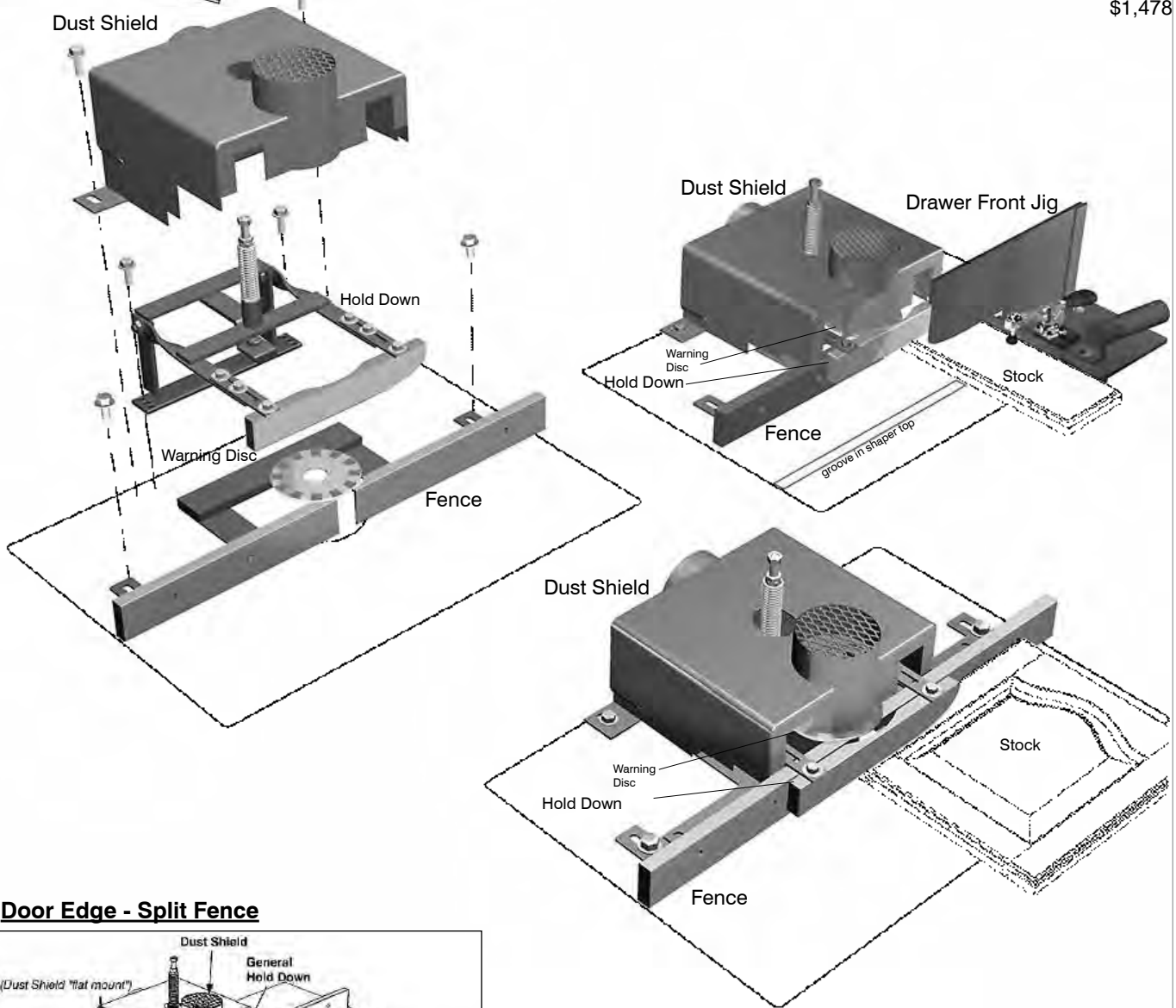
**Shaper Essentials™
FLAT MOUNT**



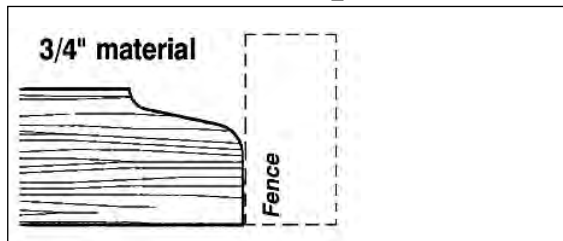
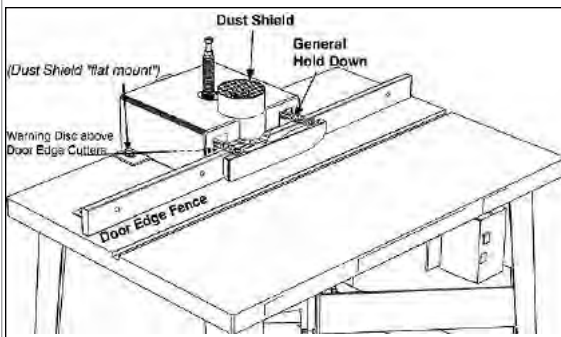
**Door Edge Setup - Flat Mount -
Split Fence (for full edge)**

Item#	Description	Price
FE5640	Split Door Edge Fence w/Dual Adj.	359
HD3160	General Hold Down	359
HD222	Drawer Ends Hold Down	359
DS482F	Dust Shield for Door Edge	359
WD5086	Warning Disc	42

\$1,478



Door Edge - Split Fence



MANUFACTURED IN U.S.A.

www.weaver-company.com

Phone 1-913-831-1800

CALL TOLL FREE 1-800-255-6214

Fax 1-913-831-2974

Copyright © 2022 all Rights Reserved

WEAVER COMPANY - 1108 SOUTH 37TH STREET - KANSAS CITY, KS 66106 USA

- 161 -

Notes



Manufactured
In U.S.A.

FEEDER BELTS & CONVERSION KITS WEAVER

WEAVER POWER FEEDER BELTS



Feeder Conversion Kits

3 Pulley:

ITEM # **FK3-CUSTOM** \$ 495

(Includes 2 single bond belts (3/4") & 3 double V-pulleys)

ITEM # **FK3W-CUSTOM** \$ 465

(Includes 1 Double bond belt (1-1/2") & 3 double V-pulleys)

4 Pulley:

ITEM # **FK4W-CUSTOM** \$ 570

(Includes 1 Double bond belt (1-1/2") & 4 double V-pulleys)

Replacement Belts

for your non-Weaver belt power feeder

For 3 Pulley Kit:

ITEM # **FB3-CUSTOM** - \$119

(3/4" Wide belt)

ITEM # **FB3W-CUSTOM** - \$219

(1-1/2" Wide belt)

For 4 Pulley Kit:

ITEM # **FB4-CUSTOM** - \$139

(3/4" Wide belt)

ITEM # **FB4W-CUSTOM** - \$254

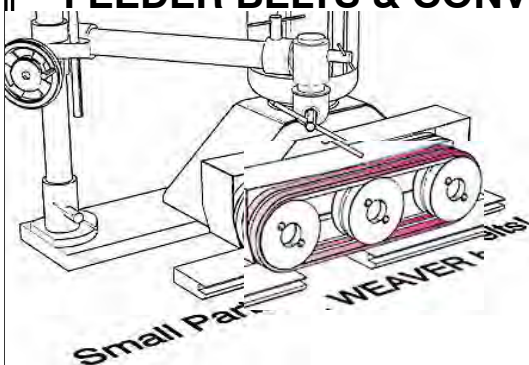
(1-1/2" Wide belt)

Belts for Weaver Power Feeders

Item No.	Description	Price
FBB2681	Single Wide Feeder Belt (3/4") - fits in one pulley groove.	\$99.00
FBB2682	Double Wide Feeder Belt - Wider (1-1/2"), fits over two pulley grooves.	\$179.00

Convert Your Conventional Roller Feeder to a Continuous Belt Feeder!

FEEDER BELTS & CONVERSION KITS



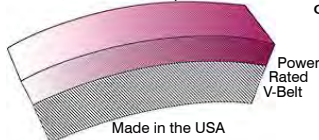
YOUR POWER FEEDERS -
can convert your roller feeder into a BELT FEEDER!

POWER RATED

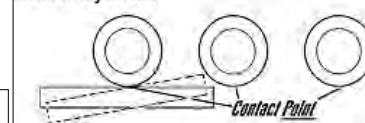
- STRONG - CONTINUOUS DUTY
- SECURE GRIP
- FULL CONTACT
- SATISFACTION GUARANTEED!

Many Roller Feeders can be converted to belt stock feeders. Simply give us the on-center measurements and we will do our best to supply you with a conversion kit.

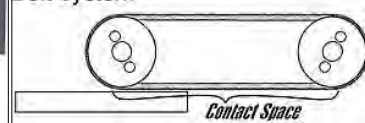
Secure, Full Contact Grip



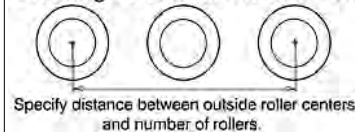
Roller System



Belt System



Ordering Feeder Conversion Kit



To Improve your production - Call TODAY

1-800-255-6214



Power Feeder Rollers

Power Feeder Rollers

Item#	Arbor	Width	OD	Price
PFXMEC296	1 3/8"	2 5/16"	4 11/16"	\$28

MANUFACTURED IN U.S.A.

www.weaver-company.com

Phone 1-913-831-1800

CALL TOLL FREE 1-800-255-6214

Fax 1-913-831-2974

Copyright © 2022 all Rights Reserved

WEAVER COMPANY - 1108 SOUTH 37TH STREET - KANSAS CITY, KS 66106 USA

- 163 -



Manufactured
In U.S.A.

VARIABLE SPEED POWER FEEDER

WEAVER

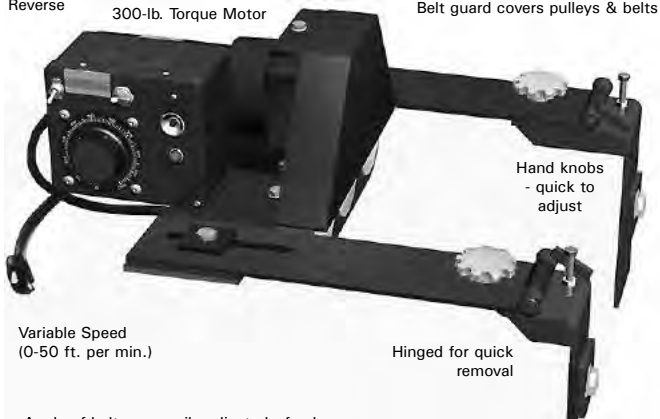
Works Anywhere - 110 Volts

Forward /
Reverse

300-lb. Torque Motor

Continuous Duty (runs 8 hours a day)

Belt guard covers pulleys & belts



Hand knobs
- quick to
adjust

Variable Speed
(0-50 ft. per min.)

Hinged for quick
removal

Angle of belts are easily adjusted - feed
stock into fence or away from fence.

Industrial Machine Economically Priced

PF721W - Variable Speed Belt Power Feeder . . . \$3,594

If you want to improve the cutting quality of your shaper and cutters - the Variable Power Feeder is a variable speed device that allows you to get the best possible cut. Because you can match the feed speed to the material!



With an extra set of Mounting Brackets you can easily move the Power Feeder from one machine to another!

PFX7622W\$600.00

It's easily lifted out of the way to use jig, shaper or to change cutters - in less than 15 Seconds!

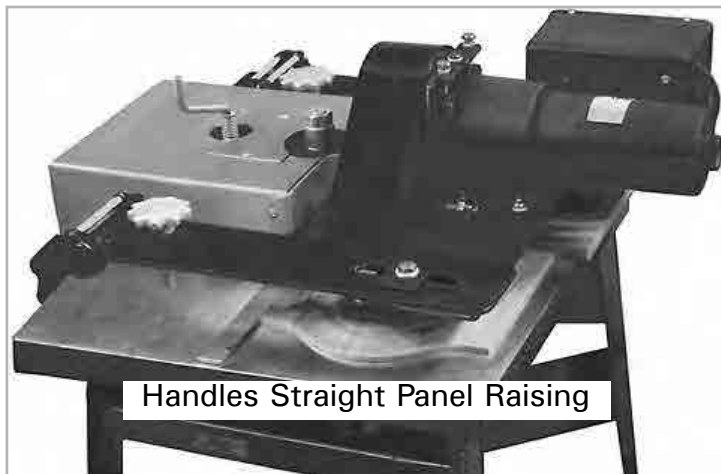
Variable Speed Power Feeder is ideal for running moldings because you can vary the speed for the type of material and depth of cut.



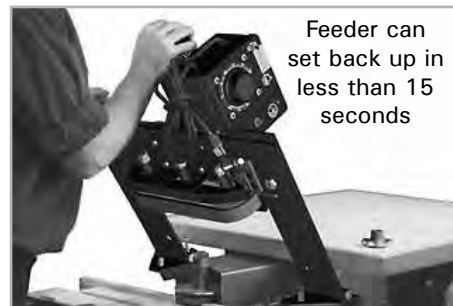
Great for Sticking Stiles and Rails.



Sets back out of the way



Handles Straight Panel Raising



Feeder can set back up in less than 15 seconds

MANUFACTURED IN U.S.A.

Phone 1-913-831-1800

CALL TOLL FREE 1-800-255-6214

Fax 1-913-831-2974

www.weaver-company.com

- 164 -

WEAVER COMPANY - 1108 SOUTH 37TH STREET - KANSAS CITY, KS 66106 USA

Copyright © 2022 all Rights Reserved

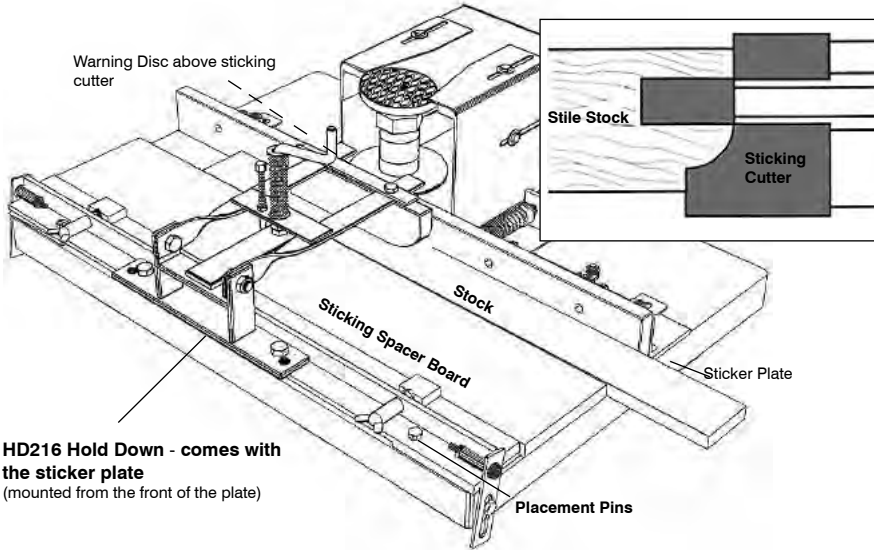


Manufactured
In U.S.A.

STICKER SETUP PLATE

WEAVER

STICKING STILES AND BOTTOM RAIL



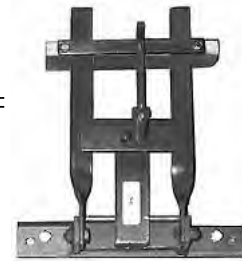
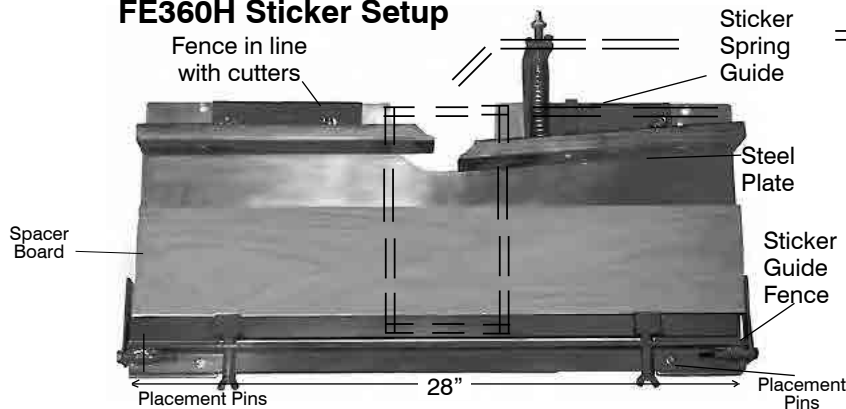
HD216 Hold Down - comes with the sticker plate
(mounted from the front of the plate)

Sticker Setup Plate

The Sticker Spring guide Set-up is designed to achieve a top quality cut by running your material against a fence opposite the cutter, which sizes all your stiles and straight rails and gives you a smooth cut without burns or bumps in the material.

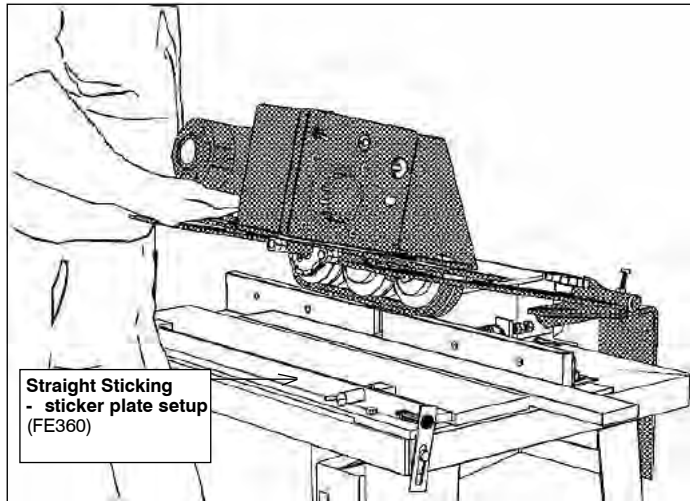
- | | | |
|---------------|---------------------------------------|----------------|
| FE360H | Sticker Set-up
1 1/4" Bore Cutters | \$1,043 |
| FE363H | Sticker Set-up
3/4" Bore Cutters | \$1,043 |

FE360H Sticker Setup

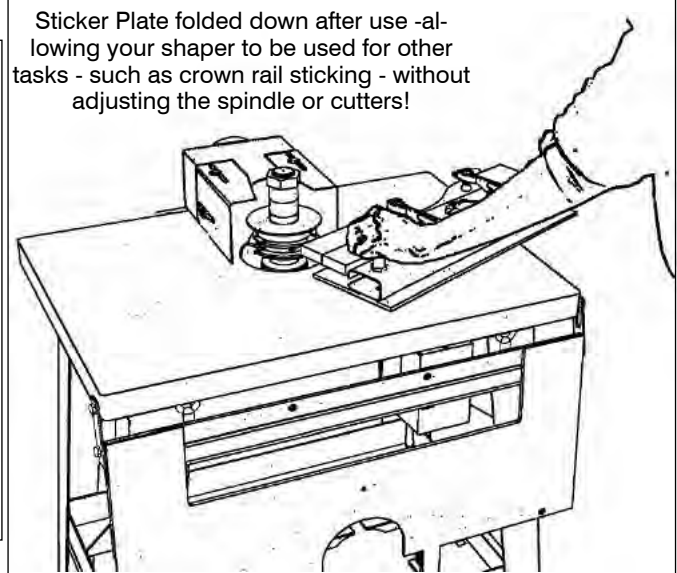


HD216 Univ. General Hold Down - Included w/ Sticker Plate

Hold Downs & Power Feeder Notes:



STICKING STILES AND BOTTOM RAIL



IPAGES-ACC

MANUFACTURED IN U.S.A.

www.weaver-company.com

Phone 1-913-831-1800

CALL TOLL FREE 1-800-255-6214

Fax 1-913-831-2974

Copyright © 2022 all Rights Reserved

WEAVER COMPANY - 1108 SOUTH 37TH STREET - KANSAS CITY, KS 66106 USA

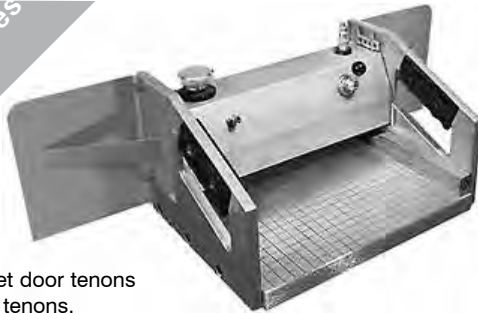
- 165 -



Manufactured
In U.S.A.

TENON FIXTURE & COPING HOLD DOWN WEAVER

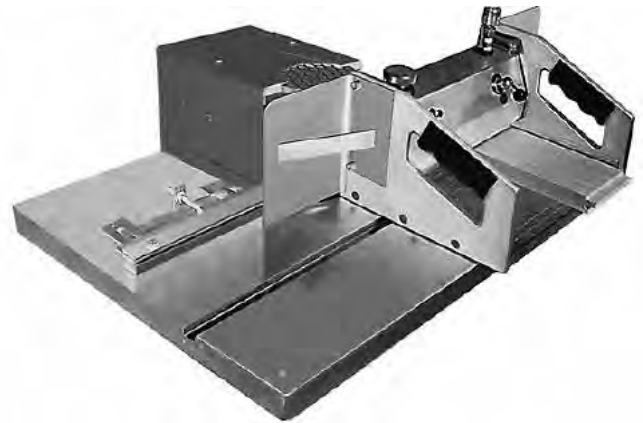
AIR TENON FIXTURE GLIDES ON AIR CUSHION!



Use for cabinet door tenons
& house door tenons.

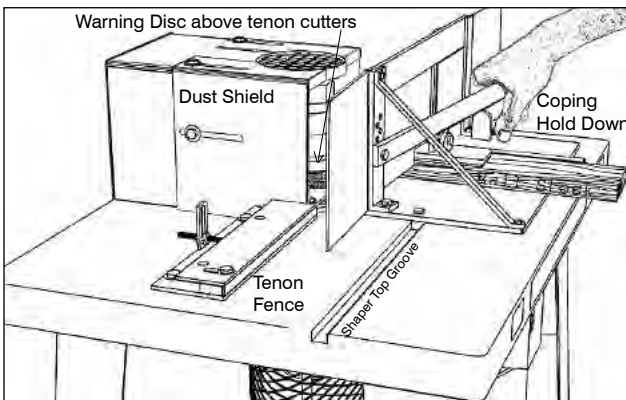
The Tenon Fixture travels in your shaper table's miter groove on an air cushion for an effortless operation. It operates at around 90 PSI. It will handle a rail up to 11 7/8" wide to 2 1/4" thick.

1. The tenon bar that travels in your shaper top groove can be mounted in four locations on the Air Tenon Jig. Making it adaptable to almost all shapers. The tenon bar itself is 3/4" wide x 3/8" tall.
2. The Air Cushion is controlled by a flow-valve thus allowing you to control the ease of operation.
3. A backup wood block can be fastened to the side handle to help minimize chipping.



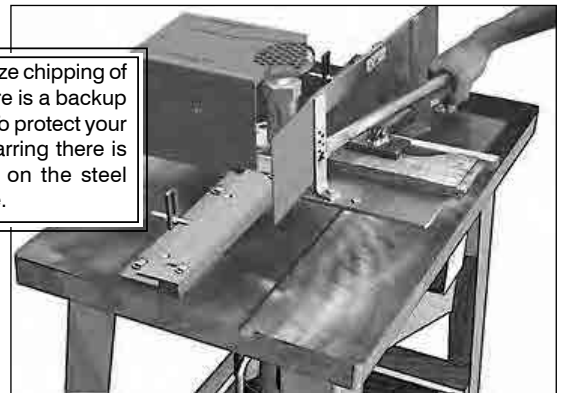
Item No.	Description	Price
AJ1201RW	Air Tenon Fixture (for counterclockwise cutter rotation)	\$1,434
AJ1201LW	Left Air Tenon Fixture (for clockwise cutter rotation)	\$1,434

Coping Hold Down



Tenon Cut

To help minimize chipping of the wood, there is a backup wood block. To protect your wood from marring there is a rubber pad on the steel pressure plate.

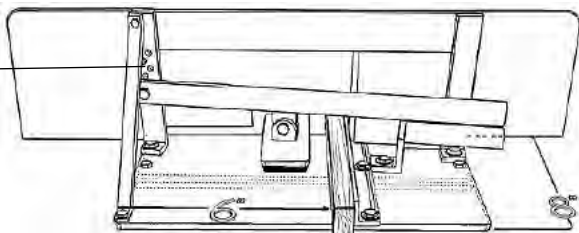


6" (HD225W) shown HD226W for up to 10" wide rails

Item No.	Description	Price
HD225W	For up to 6" wide rails	\$527
HD226W	For up to 10" wide rails	\$683

Coping Hold Down

Adjustment Bolt for stock thickness - for hand hold.



IPAGES-ACC-tenon-cope

MANUFACTURED IN U.S.A.

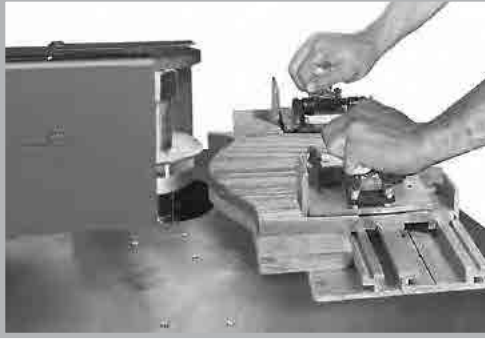
Phone 1-913-831-1800

CALL TOLL FREE 1-800-255-6214

Fax 1-913-831-2974

www.weaver-company.com

Notes

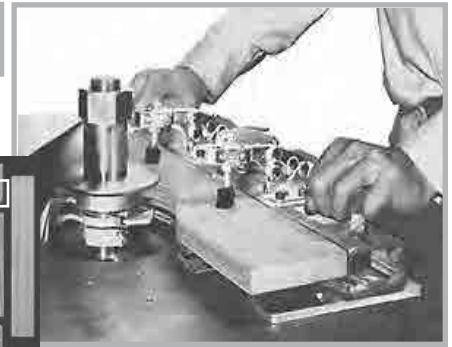


CROWN DOOR JIGS ARE FASTER Just imagine, with these SELF-CENTERING JIGS you will not have to divide $17\frac{7}{16}$ " by 2 or $11\frac{15}{16}$ " by 2 or $9\frac{5}{16}$ " by 2, and so on.

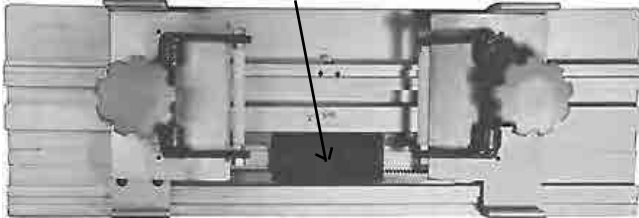
CROWN DOOR JIGS ARE MORE ACCURATE The 10 Crown Panel and 10 Crown Rail hardwood patterns for doors $9\frac{1}{2}$ " to 22" enables you to give the custom look, and you will know that the panel and crown rail will fit properly, You can make doors to match in proportion for the different door sizes. Plus, the accurate centering devices and interchangeable patterns make it easy to change the sizes and styles of the panel and rail.

These jigs will also cut in half the number of times your employees will have to use their ruler, saving you untold hours of time spent measuring and doing arithmetic. Now you and your employees can spend more time actually producing crown raised panel doors.

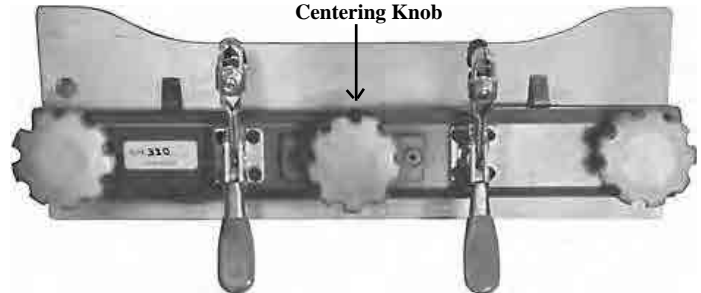
Note: In some of our pictures and illustrations the warning discs, Dust Shields, and some accessories have been removed for better illustration of the cutter and work.



Rack and Pinion Centering Device

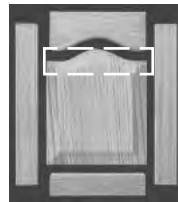


Centering Knob



CROWN PANEL JIGS

This jig features a built-in rack and pinion gear centering device for cabinet doors (18" opening for panel).



Item No.	Description	Price
JM310	Crown Panel Jig	\$683

SPECIAL FRENCH RAIL JIGS

For regular use with #PA422 and/or #PA423 French style patterns.

Item No.	Description	Price
JM322	Right Self Centering French Rail Jig	\$628
JM323	Left Self Centering French Rail Jig	\$628

For occasional use with #PA422 and/or #PA423 French style patterns.

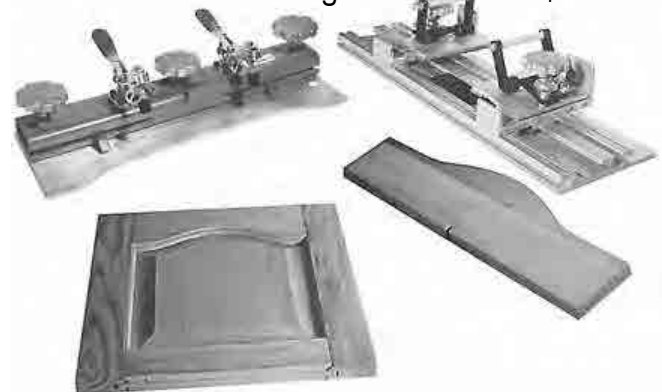
Item No.	Description	Price
JM321	Straight Self Centering French Rail Jig	\$628

Custom Jig add \$20 per inch for larger panel jig opening, add \$10 per inch for larger rail jig opening.

MANUFACTURED IN U.S.A. IPAGES-AC-JM

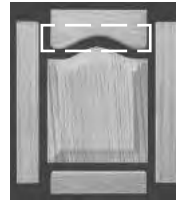
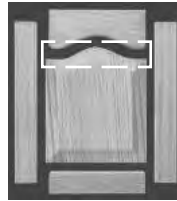
CROWN RAIL JIGS This jig features a built-in rack and pinion gear centering device for cabinet doors (18" opening for rail).

Item No.	Description	Price
JM330	Crown Rail Jig	\$628



SHAPING CROWN PANEL

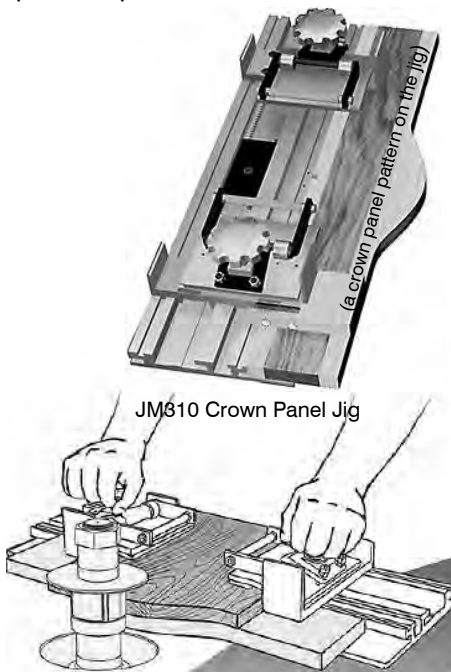
1. Pre-cut panel material to desired size before shaping the crown panel.
2. Use jig #JM310 to center panel to pattern, then trace pattern detail on panel. Place crown panel pattern in notch on bottom and crown panel material on the top. After tracing remove panel from jig and band saw panel approximately 1/4" larger than pattern detail.
3. Set up shaper with dead collar or ball bearing rub collar, warning disc and a Dust Shield.
4. Place the appropriate panel pattern in jig #JM310 - and the panel on top. The panel is centered by pulling the left or right handle in while holding the top edge of the panel and pattern flush. Push down both left and right cam levers to clamp panel to pattern and jig.
5. Start on the left front of pattern and run pattern against rub collar or use pattern to stop the bearing before shaping. The square edge cutter shapes the panel to pattern.



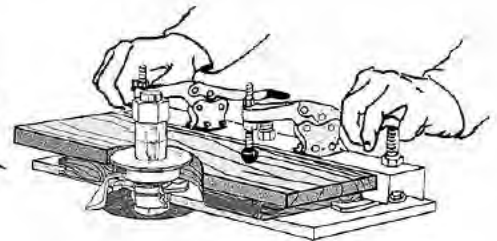
JM330 Crown Rail Jig

SHAPING CROWN RAIL

1. Tenoning the ends of the top crown rail before shaping the crown rail will reduce end grain chip-out.
2. Use jig #JM330 to center rail to pattern, then trace pattern shape on rail. Place crown rail material on the bottom and crown rail pattern in notch on top. After tracing remove rail from jig and band saw rail approximately 1/8" larger than pattern detail.
3. Set shaper up with sticking part of the door cutter set, ball bearing rub collar, warning disc and a Dust Shield.
4. Place top rail in jig #JM330 and the appropriate rail pattern in jig. By turning center knob, jig will self center top rail to the pattern. Tighten center lock nut and toggle clamps.
5. Use the left front corner of the pattern to stop the bearing before shaping. The cutters will size top rail to pattern and detail the edge of the rail.



JM310 Crown Panel Jig



Note: In some of our pictures and illustrations the warning discs, Dust Shields, and some accessories have been removed for better illustration of the cutter and work.

WEAVER'S BALL BEARING RUB COLLARS WORK WELL FOR DOING CROWN DOORS, ARCH MOLDING AND OTHER CURVED WORK. Standard & custom ball bearing rub collars available. See bearing page 136.



To order custom Ball Bearing Rub Collars order #BB5400. State both Outside Diameter and Bore Size.

IPAGES-AC-JM

MANUFACTURED IN U.S.A.

www.weaver-company.com

Phone 1-913-831-1800

CALL TOLL FREE 1-800-255-6214

Fax 1-913-831-2974

Copyright © 2022 all Rights Reserved

WEAVER COMPANY - 1108 SOUTH 37TH STREET - KANSAS CITY, KS 66106 USA

- 169 -

WEAVER HARDWOOD RAIL and PANEL PATTERN SETS

Weaver's Rail and Panel Patterns give flexibility to produce multiple styles and shapes of Cabinet Doors, Finished Cabinet Ends, Island and Appliance Fronts. Our patterns allow you to offer the high style "Custom Look" in kitchen cabinetry. Patterns are interchangeable for making doors 9 1/2" to 22" wide.



Crown 1-1/2" Rise -

the most popular style requested. They are used with a 1 1/2" rise with 3 3/4" top rail.



Item No.	Description	Price
PA427	10 Crown Rail Patterns - 1 1/2"	\$295
PA417	10 Crown Panel Patterns - 1 1/2"	\$295

Crown 2" Rise - The traditional crown patterns offer the most popular style requested. They are used with 4 1/4" top rail and have a 2" rise.



Item No.	Description	Price
PA420-12	12 Crown Rail Patterns - 2"	\$349
PA410-12	12 Crown Panel Patterns - 2"	\$349

Oval 1" Rise - The oval patterns are the second most requested style. The point to point arc produces varying widths at the ends of the rail. They are used with 3 1/4" top rail and have a 1" rise.

Note: The oval produces a higher percentage of chip out on the outfeed point.



Item No.	Description	Price
PA425	12 Oval Rail Patterns 1"	\$349
PA415	12 Oval Panel Patterns 1"	\$349

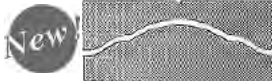
Oval 2" Rise - The oval patterns are the second most requested style. The point to point arc produces varying widths at the ends of the rail. They are used with 4 1/4" top rail and have a 2" rise.

Note: The oval produces a higher percentage of chip out on the outfeed point.



Item No.	Description	Price
PA426	12 Oval Rail Patterns 2"	\$349
PA416	12 Oval Panel Patterns 2"	\$349

Classical - The Classical patterns offer an extra flourish to the crown raise. They are used with a 4 1/4" top rail and have a 2" rise.



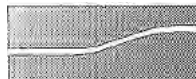
Item No.	Description	Price
PA424	12 Classical Rail Patterns	\$349
PA414	12 Classical Panel Patterns	\$349

Neoclassic - The neoclassic patterns offer a special blend of a soft oval with flat side shoulders. They are used with a 3 1/4" top rail and have a 1" rise with this pattern.



Item No.	Description	Price
PA421	12 Neoclassic Rail Patterns	\$349
PA411	12 Neoclassic Panel Patterns	\$349

French - The French patterns are popular in entertainment centers with side-by-side doors. They are used with a 4 3/4" top rail and have a 2 1/2" rise.



Item No.	Description	Price
PA422	10 French Rail Patterns	\$295
PA412	10 French Panel Patterns	\$295

Country French - The Country French patterns offer a flat center with a radius on the edge. They are used with a 4 1/4" top rail and have a 2" rise.



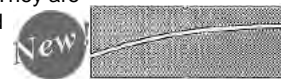
Item No.	Description	Price
PA419	12 Country French Rail Patterns	\$349
PA409	12 Country French Panel Patterns	\$349

Modern French - The Modern French patterns are popular in entertainment centers with side-by-side doors. They are used with 4 3/4" top rail and have a 2 1/2" rise.



Item No.	Description	Price
PA423	10 Modern French Rail Patterns	\$295
PA413	10 Modern French Panel Patterns	\$295

Oval French - The Oval French patterns offer a arch like the oval - 2" rise. They are used with 4 1/4" top rail and have a 2" rise.



Item No.	Description	Price
PA428	12 Oval French Rail Patterns	\$349
PA418	12 Oval French Panel Patterns	\$349

Put the best to work in your shop...
with Weavers!

MANUFACTURED IN U.S.A.

Phone 1-913-831-1800

CALL TOLL FREE 1-800-255-6214

Fax 1-913-831-2974

www.weaver-company.com

- 170 -

WEAVER COMPANY - 1108 SOUTH 37TH STREET - KANSAS CITY, KS 66106 USA

Copyright © 2022 all Rights Reserved

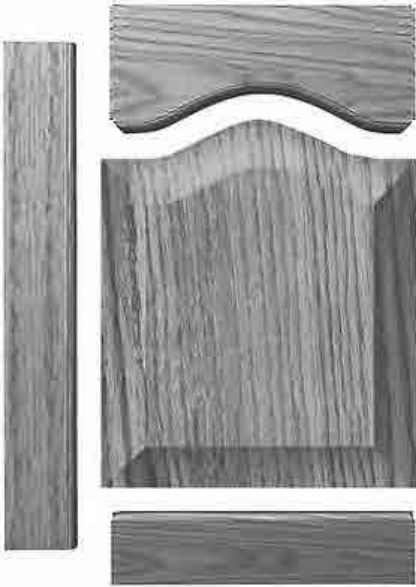


SHAPERMASTER

PNEUMATIC CROWN DOOR FIXTURE SYSTEM

24" Shapermaster

**GLIDES
ON AN
AIR CUSHION**



TAMING THE SHAPER:

INCREASE CONTROL The reason is the pneumatic clamps hold the material to the Shapermaster and the operator holds on to the handles of the Shapermaster.

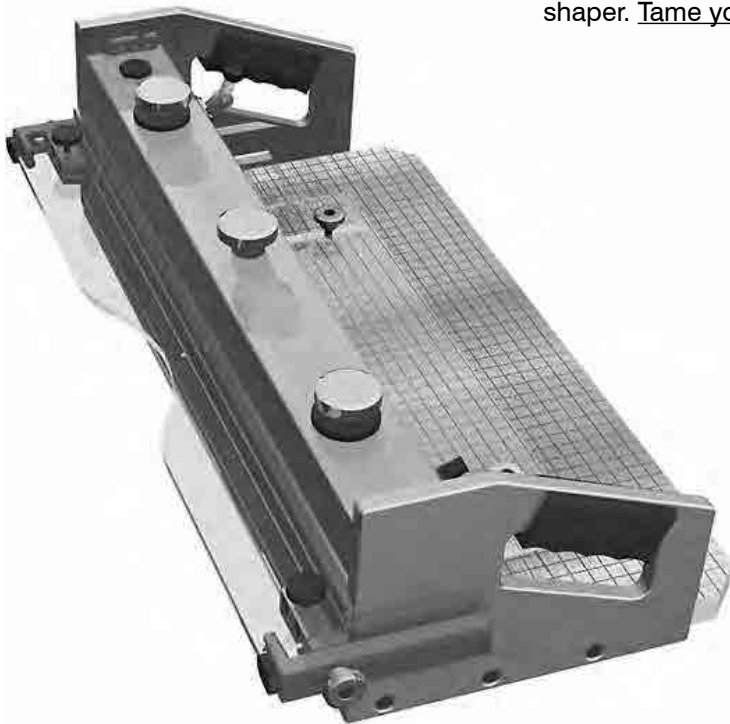
FLEXIBILITY The Shapermaster gives you an excellent tool to produce many parts of a door. The Shapermaster accepts material up to 2 1/4" thick by 23 1/2".

EASY TO OPERATE The Shapermaster glides on a cushion of air, making it easy to maneuver, and yet the Shapermaster has enough mass and stability to consistently shape smoothly. The Shapermaster requires 80 to 120 PSI when activated.

SELF CENTERING By turning the center knob the Shapermaster brings the work to the center to match with the pattern. The Shapermasters pattern holder has a centering pin to index the patterns.

PATTERN SETS Shapermaster has 10 different pattern styles available. Each style has the proper number of patterns to make doors from 9 1/2" to 27" with the 24" Jig.

IRREGULAR SHAPES If you are cutting curved parts you need to consider the Shapermaster, there is not an easier way to cut a curves on a shaper. Tame your Shaper !! Order the Shapermaster.



SHAPERMASTERS™ come with tenon back up bar, index bar for stiles and rails, blow out bar for panels, 2 brake stops for ball bearing rub collars, allen wrenches and instruction manual.

Our Most Popular Jig

Air Jig - 24" Wide,
12" front to back
#AJ2402 - \$2,394!

SHAPERMASTER™ AIR JIGS

Item No.	Description	Price
AJ2402	24" opening, 12" front to back	\$2,394

IPAGES-AC-AJ-24

MANUFACTURED IN U.S.A.

www.weaver-company.com

Phone 1-913-831-1800

CALL TOLL FREE 1-800-255-6214

Fax 1-913-831-2974

Copyright © 2022 all Rights Reserved

WEAVER COMPANY - 1108 SOUTH 37TH STREET - KANSAS CITY, KS 66106 USA

- 171 -

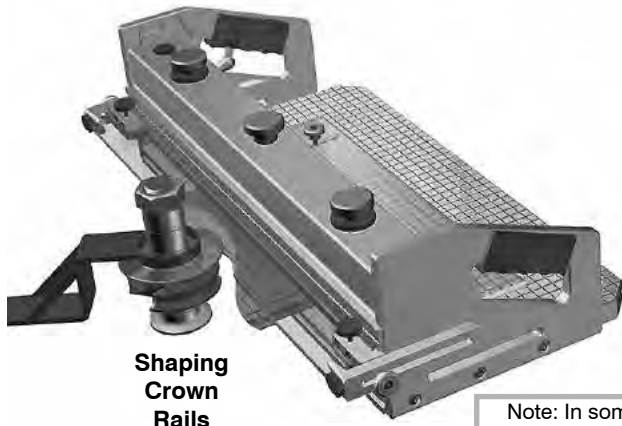


SHAPERMASTER

PNEUMATIC CROWN DOOR FIXTURE SYSTEM

24" Shapermaster

GLIDES
ON AN
AIR CUSHION



Shaping
Crown
Rails

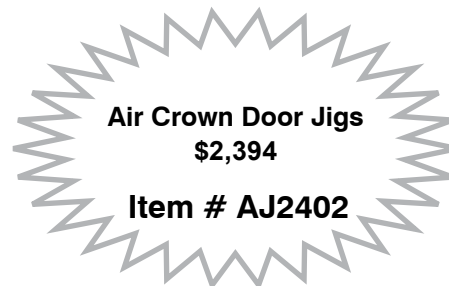


Raising
Crown
Panel

Note: In some of our pictures and illustrations the warning discs, Dust Shields, and some accessories have been removed for better illustration of the cutter and work.

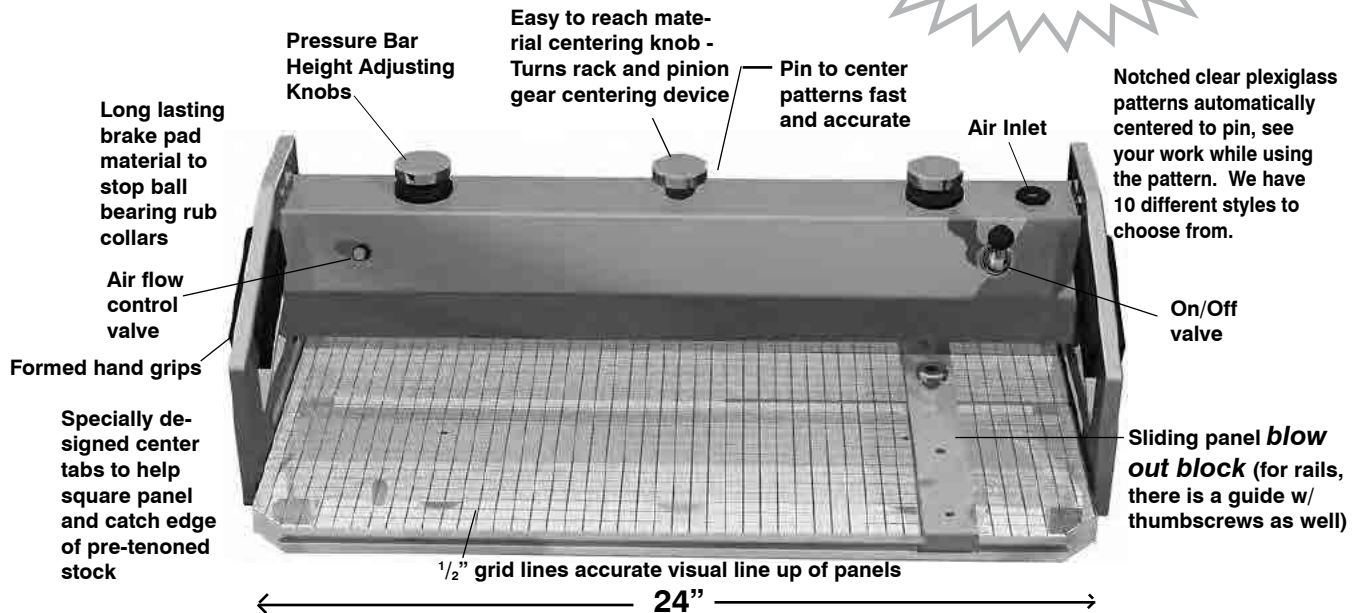
VERSATILITY / PRODUCTIVITY / EFFICIENCY

Shapermaster encompasses several productivity improving features. The built-in centering device centers arched rail and panel parts with a turn of a wheel on the top of the jig. No more centering measurements. Parts are held firmly by two air cylinders which exert force on a neoprene rubber covered pressure bar. Shapermaster's versatility enables you to make custom door designs by the fabrication of templates of your own design out of plexiglass or 1/4" hardboard. The adjustable brakes on each edge of the fixture stop the ball bearing from spinning and burning the template.



Air Crown Door Jigs
\$2,394

Item # AJ2402



MANUFACTURED IN U.S.A. IPAGES-AC-AJ

Phone 1-913-831-1800

CALL TOLL FREE 1-800-255-6214

Fax 1-913-831-2974

www.weaver-company.com

- 172 -

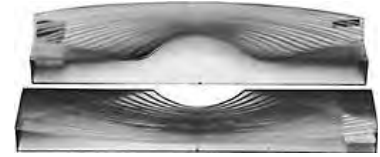
WEAVER COMPANY - 1108 SOUTH 37TH STREET - KANSAS CITY, KS 66106 USA

Copyright © 2022 all Rights Reserved

WEAVER PLEXIGLASS RAIL & PANEL PATTERN SETS

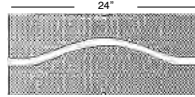
For 24" Shapermaster

Weaver's Rail and Panel Patterns give flexibility to produce multiple styles and shapes of Cabinet Doors, Finished Cabinet Ends, Island and Appliance Fronts. Our patterns allow you to offer the high style "Custom Look" in kitchen cabinetry. Patterns are interchangeable for making doors 9 1/2" to 27" wide.



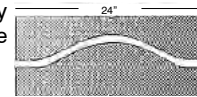
Crown 1-1/2" Rise -

the most popular style requested. They are used with a 1 1/2" rise with 3 3/4" top rail.



Item No.	Description	Width	Price
PA2417	12 Rail 12 Panel Patterns	1 1/2" 24"	\$379

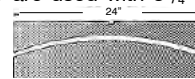
Crown 2" Rise - The traditional crown patterns offer the most popular style requested. They are used with 4 1/4" top rail and have a 2" rise.



Item No.	Description	Width	Price
PA2410-18	18 Rail 18 Panel Patterns	2" 24"	\$489

Oval 1" Rise - The oval patterns are the second most requested style. The point to point arc produces varying widths at the ends of the rail. They are used with 3 1/4" top rail and have a 1" rise.

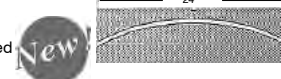
Note: The oval produces a higher percentage of chip out on the outfeed point.



Item No.	Description	Width	Price
PA2415	18 Rail 18 Panel Patterns	1" 24"	\$489

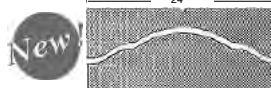
Oval 2" Rise - The oval patterns are the second most requested style. The point to point arc produces varying widths at the ends of the rail. They are used with 4 1/4" top rail and have a 2" rise.

Note: The oval produces a higher percentage of chip out on the outfeed point.



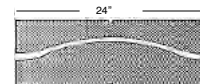
Item No.	Description	Width	Price
PA2416	18 Rail 18 Panel Patterns	2" 24"	\$489

Classical - The Classical patterns offer an extra flourish to the crown raise. They are used with a 4 1/4" top rail and have a 2" rise.



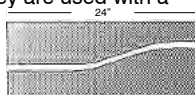
Item No.	Description	Width	Price
PA2414	18 Rail 18 Panel Patterns	24"	\$489

Neoclassic - The neoclassic patterns offer a special blend of a soft oval with flat side shoulders. They are used with a 3 1/4" top rail and have a 1" rise with this pattern.



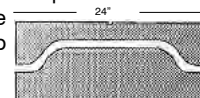
Item No.	Description	Width	Price
PA2411	18 Rail 18 Panel Patterns	24"	\$489

French - The French patterns are popular in entertainment centers with side-by-side doors. They are used with a 4 3/4" top rail and have a 2 1/2" rise.



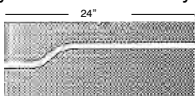
Item No.	Description	Width	Price
PA2412	12 Rail 12 Panel Patterns	24"	\$379

Country French - The Country French patterns offer a flat center with a radius on the edge. They are used with a 4 1/4" top rail and have a 2" rise.



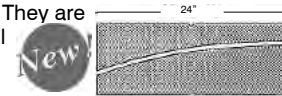
Item No.	Description	Width	Price
PA2409	18 Rail 18 Panel Patterns	24"	\$489

Modern French - The Modern French patterns are popular in entertainment centers with side-by-side doors. They are used with 4 3/4" top rail and have a 2 1/2" rise.



Item No.	Description	Width	Price
PA2413	12 Rail 12 Panel Patterns	24"	\$379

Oval French - The Oval French patterns offer a arch like the oval - 2" rise. They are used with a 4 1/4" top rail and have a 2" rise.



Item No.	Description	Width	Price
PA2418	18 Rail 18 Panel Patterns	24"	\$489

Put the best to work in your shop...
with Weavers!

MANUFACTURED IN U.S.A.

Phone 1-913-831-1800

CALL TOLL FREE 1-800-255-6214

Fax 1-913-831-2974

Copyright © 2022 all Rights Reserved

WEAVER COMPANY - 1108 SOUTH 37TH STREET - KANSAS CITY, KS 66106 USA

www.weaver-company.com

- 173 -



SHAPERMASTER

PNEUMATIC CROWN DOOR FIXTURE SYSTEM
19" Shapermaster

GLIDES
ON AN
AIR CUSHION

INCREASE CONTROL - FLEXIBILITY - EASY TO OPERATE -
SELF CENTERING - GOOD VARIETY OF PATTERN SETS -
HELPFUL ON IRREGULAR SHAPES

VERSATILITY / PRODUCTIVITY / EFFICIENCY

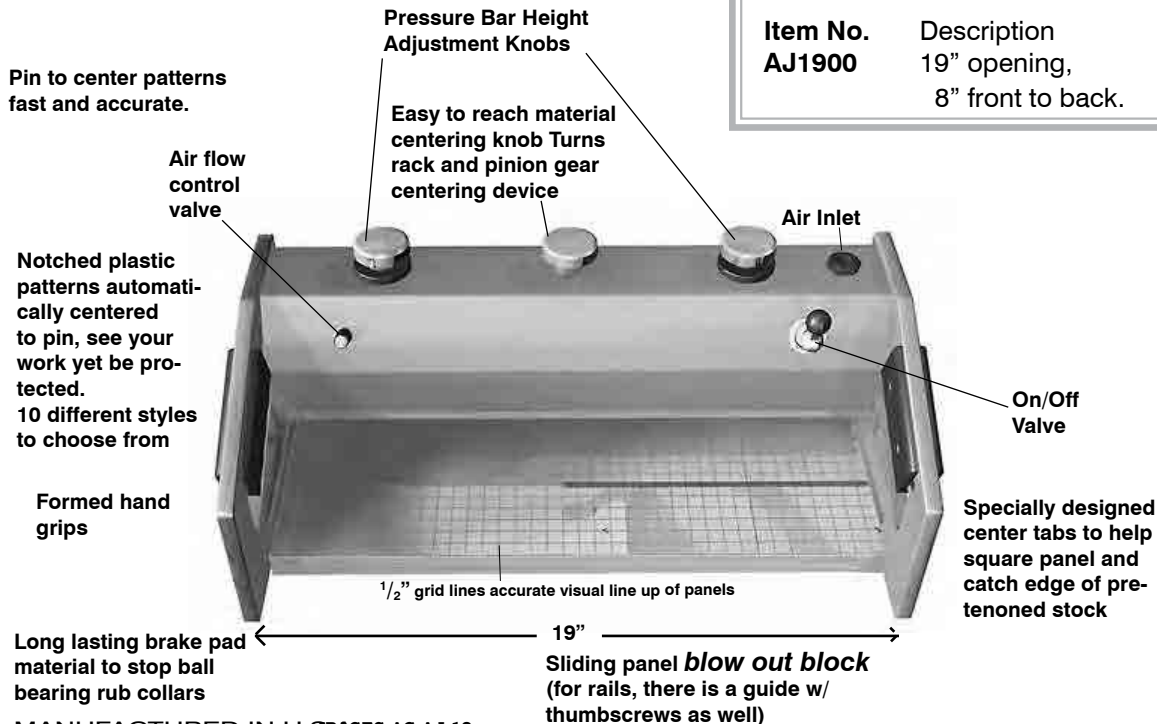
Shapermaster encompasses several productivity improving features. The built-in centering device centers arched rail and panel parts with a turn of a wheel on the top of the jig. No more centering measurements. Parts are held firmly by two air cylinders which exert force on a neoprene rubber covered pressure bar. Shapermaster's versatility enables you to make custom door designs by the fabrication of templates of your own design out of plexiglass or 1/4" hardboard. The adjustable brakes on each edge of the fixture stop the ball bearing from spinning and burning the template.

SHAPERMASTERS™ come with tenon back up bar, index bar for stiles and rails, blow out bar for panels, 2 brake stops for ball bearing rub collars, allen wrenches and instruction manual.

Great for smaller shaper tops
Air Jig - 19" Wide,
8" front to back
#AJ1900 - \$2,034!

SHAPERMASTER™ AIR JIGS

Item No.	Description	Price
AJ1900	19" opening, 8" front to back.	\$2,034



MANUFACTURED IN U.S. SPAGES-AC-AJ-19

Phone 1-913-831-1800

CALL TOLL FREE 1-800-255-6214

Fax 1-913-831-2974

- 174 -

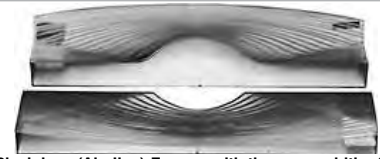
WEAVER COMPANY - 1108 SOUTH 37TH STREET - KANSAS CITY, KS 66106 USA

Copyright © 2022 all Rights Reserved

WEAVER PLEXIGLASS RAIL & PANEL PATTERN SETS

For 19" Shapermaster

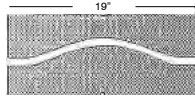
Weaver's Rail and Panel Patterns give flexibility to produce multiple styles and shapes of Cabinet Doors, Finished Cabinet Ends, Island and Appliance Fronts. Our patterns allow you to offer the high style "Custom Look" in kitchen cabinetry. Patterns are interchangeable for making doors 9 1/2" to 22" wide.



Plexiglass (Air Jigs) For use with the same width of Jig

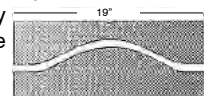
Crown 1-1/2" Rise -

the most popular style requested. They are used with a 1 1/2" rise with 3 3/4" top rail.



Item No.	Description	Width	Price
PA1417	10 Rail 10 Panel Patterns 1 1/2"	19"	\$339

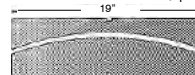
Crown 2" Rise - The traditional crown patterns offer the most popular style requested. They are used with 4 1/4" top rail and have a 2" rise.



Item No.	Description	Width	Price
PA1410-12	12 Rail 12 Panel Patterns 2"	19"	\$339

Oval 1" Rise - The oval patterns are the second most requested style. The point to point arc produces varying widths at the ends of the rail. They are used with 3 1/4" top rail and have a 1" rise.

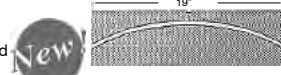
Note: The oval produces a higher percentage of chip out on the outfeed point.



Item No.	Description	Width	Price
PA1415	12 Rail 12 Panel Patterns 1"	19"	\$339

Oval 2" Rise - The oval patterns are the second most requested style. The point to point arc produces varying widths at the ends of the rail. They are used with 4 1/4" top rail and have a 2" rise.

Note: The oval produces a higher percentage of chip out on the outfeed point.



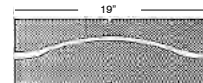
Item No.	Description	Width	Price
PA1416	12 Rail 12 Panel Patterns 2"	19"	\$339

Classical - The Classical patterns offer an extra flourish to the crown raise. They are used with a 4 1/4" top rail and have a 2" rise.



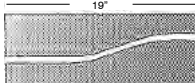
Item No.	Description	Width	Price
PA1414	12 Rail 12 Panel Patterns	19"	\$339

Neoclassic - The neoclassic patterns offer a special blend of a soft oval with flat side shoulders. They are used with a 3 1/4" top rail and have a 1" rise with this pattern.



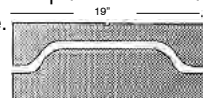
Item No.	Description	Width	Price
PA1411	12 Rail 12 Panel Patterns	19"	\$339

French - The French patterns are popular in entertainment centers with side-by-side doors. They are used with a 4 3/4" top rail and have a 2 1/2" rise.



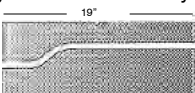
Item No.	Description	Width	Price
PA1412	10 Rail 10 Panel Patterns	19"	\$339

Country French - The Country French patterns offer a flat center with a radius on the edge. They are used with a 4 1/4" top rail and have a 2" rise.



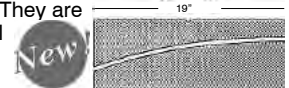
Item No.	Description	Width	Price
PA1409	12 Rail 12 Panel Patterns	19"	\$339

Modern French - The Modern French patterns are popular in entertainment centers with side-by-side doors. They are used with 4 3/4" top rail and have a 2 1/2" rise.



Item No.	Description	Width	Price
PA1413	10 Rail 10 Panel Patterns	19"	\$339

Oval French - The Oval French patterns offer a arch like the oval - 2" rise. They are used with a 4 1/4" top rail and have a 2" rise.



Item No.	Description	Width	Price
PA1418	12 Rail 12 Panel Patterns	19"	\$339

Put the best to work in your shop...
with Weavers!

MANUFACTURED IN U.S.A.

www.weaver-company.com

Phone 1-913-831-1800

CALL TOLL FREE 1-800-255-6214

Fax 1-913-831-2974

Copyright © 2022 all Rights Reserved

WEAVER COMPANY - 1108 SOUTH 37TH STREET - KANSAS CITY, KS 66106 USA

- 175 -



SHAPERMASTER

PNEUMATIC CROWN DOOR FIXTURE SYSTEM
32" Shapermaster

GLIDES
ON AN
AIR CUSHION

**INCREASE CONTROL - FLEXIBILITY - EASY TO OPERATE -
SELF CENTERING - GOOD VARIETY OF PATTERN SETS -
HELPFUL ON IRREGULAR SHAPES**

VERSATILITY / PRODUCTIVITY / EFFICIENCY

Shapermaster encompasses several productivity improving features. The built-in centering device centers arched rail and panel parts with a turn of a wheel on the top of the jig. No more centering measurements. Parts are held firmly by two air cylinders which exert force on a neoprene rubber covered pressure bar. Shapermaster's versatility enables you to make custom door designs by the fabrication of templates of your own design out of plexiglass or 1/4" hardboard. The adjustable brakes on each edge of the fixture stop the ball bearing from spinning and burning the template.

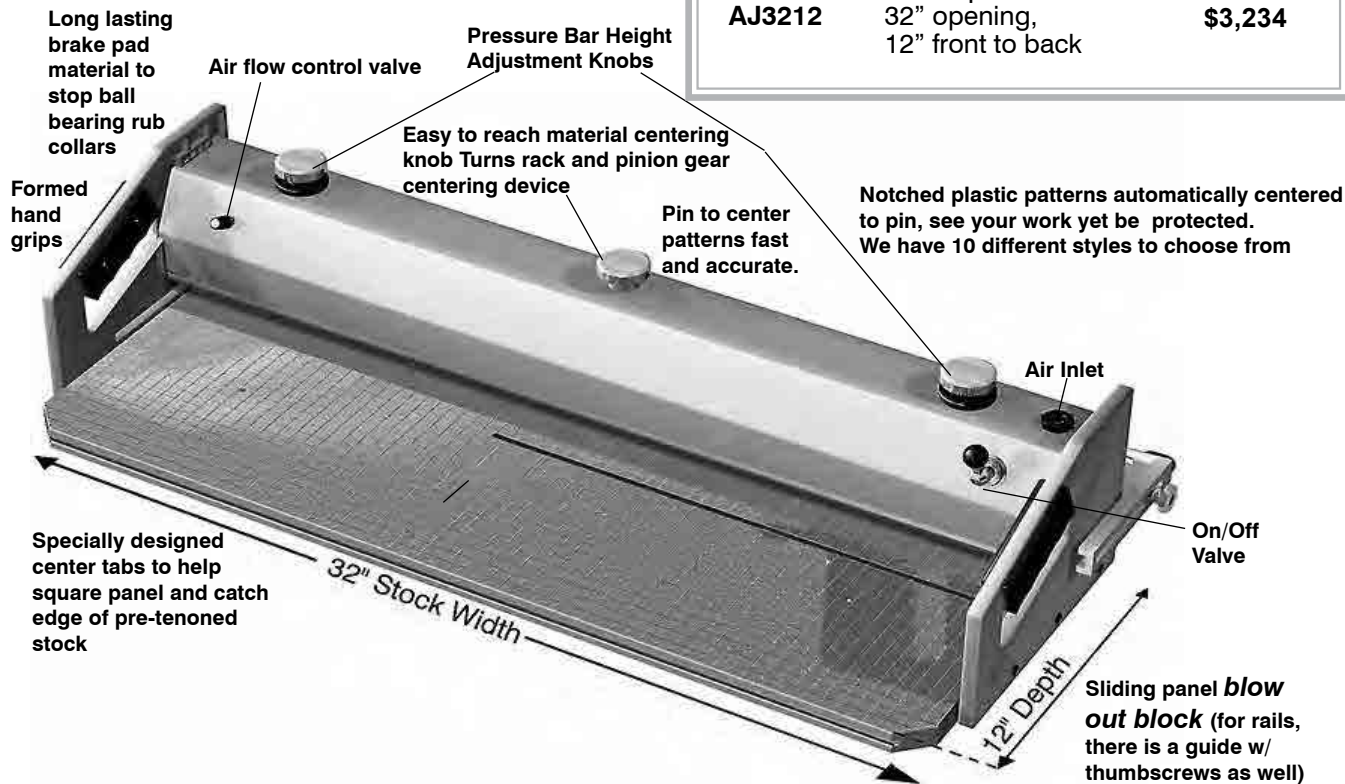
SHAPERMASTERS™ come with tenon back up bar, index bar for stiles and rails, blow out bar for panels, 2 brake stops for ball bearing rub collars, allen wrenches and instruction manual.

For Larger Doors, etc.

Air Jig - 32" Wide,
12" front to back
#AJ3212 - \$3,234!

SHAPERMASTER™ AIR JIGS

Item No.	Description	Price
AJ3212	32" opening, 12" front to back	\$3,234



MANUFACTURED IN U.S.A.

Phone 1-913-831-1800

CALL TOLL FREE 1-800-255-6214

Fax 1-913-831-2974

- 176 -

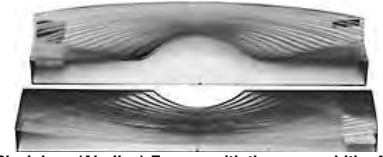
WEAVER COMPANY - 1108 SOUTH 37TH STREET - KANSAS CITY, KS 66106 USA

Copyright © 2022 all Rights Reserved

WEAVER PLEXIGLASS RAIL & PANEL PATTERN SETS

For 32" Shapermaster

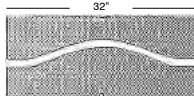
Weaver's Rail and Panel Patterns give flexibility to produce multiple styles and shapes of Cabinet Doors, Finished Cabinet Ends, Island and Appliance Fronts. Our patterns allow you to offer the high style "Custom Look" in kitchen cabinetry. Patterns are interchangeable for making doors 9 1/2" to 28" wide.



Plexiglass (Air Jigs) For use with the same width of Jig

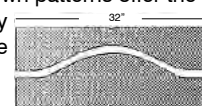
Crown 1-1/2" Rise -

the most popular style requested. They are used with a 1 1/2" rise with 3 3/4" top rail.



Item No.	Description	Width	Price
PA3417	12 Rail 12 Panel Patterns	1 1/2" 32"	\$489

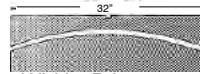
Crown 2" Rise - The traditional crown patterns offer the most popular style requested. They are used with 4 1/4" top rail and have a 2" rise.



Item No.	Description	Width	Price
PA3410-18	18 Rail 18 Panel Patterns	2" 32"	\$599

Oval 1" Rise - The oval patterns are the second most requested style. The point to point arc produces varying widths at the ends of the rail. They are used with 3 1/4" top rail and have a 1" rise.

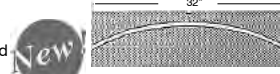
Note: The oval produces a higher percentage of chip out on the outfeed point.



Item No.	Description	Width	Price
PA3415	18 Rail 18 Panel Patterns	1" 32"	\$599

Oval 2" Rise - The oval patterns are the second most requested style. The point to point arc produces varying widths at the ends of the rail. They are used with 4 1/4" top rail and have a 2" rise.

Note: The oval produces a higher percentage of chip out on the outfeed point.



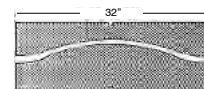
Item No.	Description	Width	Price
PA3416	18 Rail 18 Panel Patterns	2" 32"	\$599

Classical - The Classical patterns offer an extra flourish to the crown raise. They are used with a 4 1/4" top rail and have a 2" rise.



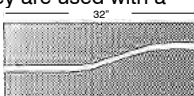
Item No.	Description	Width	Price
PA3414	18 Rail 18 Panel Patterns	32"	\$599

Neoclassic - The neoclassic patterns offer a special blend of a soft oval with flat side shoulders. They are used with a 3 1/4" top rail and have a 1" rise with this pattern.



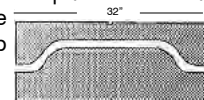
Item No.	Description	Width	Price
PA3411	18 Rail 18 Panel Patterns	32"	\$599

French - The French patterns are popular in entertainment centers with side-by-side doors. They are used with a 4 3/4" top rail and have a 2 1/2" rise.



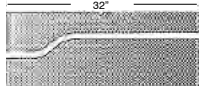
Item No.	Description	Width	Price
PA3412	12 Rail 12 Panel Patterns	32"	\$489

Country French - The Country French patterns offer a flat center with a radius on the edge. They are used with a 4 1/4" top rail and have a 2" rise.



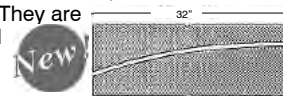
Item No.	Description	Width	Price
PA3409	18 Rail 18 Panel Patterns	32"	\$599

Modern French - The Modern French patterns are popular in entertainment centers with side-by-side doors. They are used with 4 3/4" top rail and have a 2 1/2" rise.



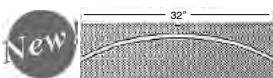
Item No.	Description	Width	Price
PA3413	12 Rail 12 Panel Patterns	32"	\$489

Oval French - The Oval French patterns offer an arch like the oval - 2" rise. They are used with a 4 1/4" top rail and have a 2" rise.



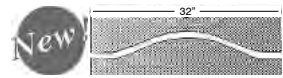
Item No.	Description	Width	Price
PA3418	18 Rail 18 Panel Patterns	32"	\$599

Oval House Door



Item No.	Description	Width	Price
PA3246	Rail & Panel	32"	\$899

Crown House Door



Item No.	Description	Width	Price
PA3245	Rail & Panel	32"	\$899

Put the best to work in your shop...with Weavers!

MANUFACTURED IN U.S.A.

www.weaver-company.com

Phone 1-913-831-1800

CALL TOLL FREE 1-800-255-6214

Fax 1-913-831-2974

Copyright © 2022 all Rights Reserved

WEAVER COMPANY - 1108 SOUTH 37TH STREET - KANSAS CITY, KS 66106 USA

- 177 -



Manufactured
In U.S.A.

EDGE SANDER

WEAVER

"Gives Your Company The Edge It Needs"

Drive wheel and table wheel are set back of platen, so any length of material can be sanded.

The steel platen is 6" wide x 47" long - torsioned straight and flat, the table is solid laminated hardwood, 71" long - uses 6" x 120" sanding belts.

The 72" long table is curved around on end of the sander allowing curve and radius work to be easily performed

4" Dust Chute

Baldor Motor

Magnetic Starter Switch

Welded steel frame
- rigid construction

MANUFACTURED IN U.S.A.

Quick Action Release Makes Changing the belts fast - Belt aligning is quickly made by adjusting the knob located on top of the machine.

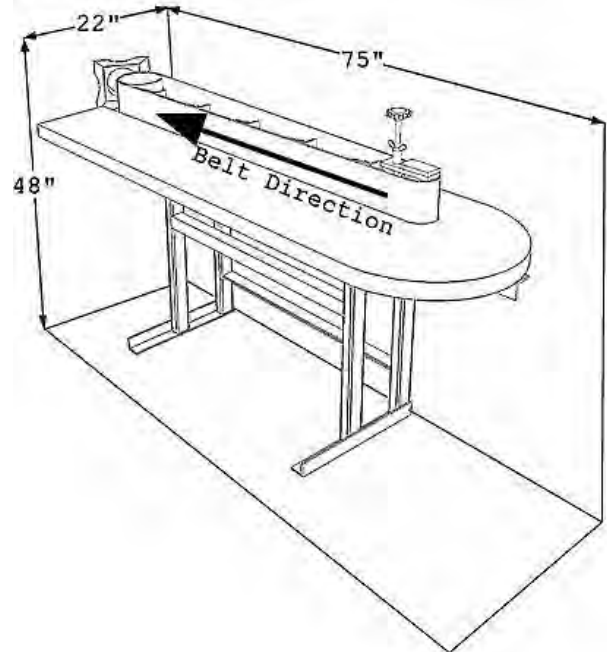
The table adjusts easily with a simple turn of the crank, allowing the use of the entire width of the sanding belt

Sand door edges, bevel shelf fronts, sand wine racks - sand inside corners, sand table tops - the Weaver Edge Sander will give your company the edge you have been looking for.

Comes completely assembled and set up.

The Edge Sander . . .

allows you to perform many time consuming tasks very efficiently.



Edge Sander Belts
(6" width x 120" length)

ESX-SP180	180 Grit	\$22
ESX-SP120	120 Grit	\$22
ESX-SP100	100 Grit	\$24
ESX-SP080	80 Grit	\$24
ESX-SP060	60 Grit	\$27
ESX-SP036	36 Grit	\$27

The Weaver Edge Sander is a real work horse, designed to last, even in the roughest metal or woodworking shops. We have used this sander in our metal shop for over 50 years.

Item No.	Description	Price
ES1753	5 H.P., 3 Ph.	\$10,194
ES1751	5 H.P., 1 Ph.	\$10,794

MANUFACTURED IN U.S.A.

Phone 1-913-831-1800

CALL TOLL FREE 1-800-255-6214

Fax 1-913-831-2974

- 178 -

WEAVER COMPANY - 1108 SOUTH 37TH STREET - KANSAS CITY, KS 66106 USA

Copyright © 2022 all Rights Reserved



MULTIPLE SPINDLE DRILL

2" Centers - 11 Spindles

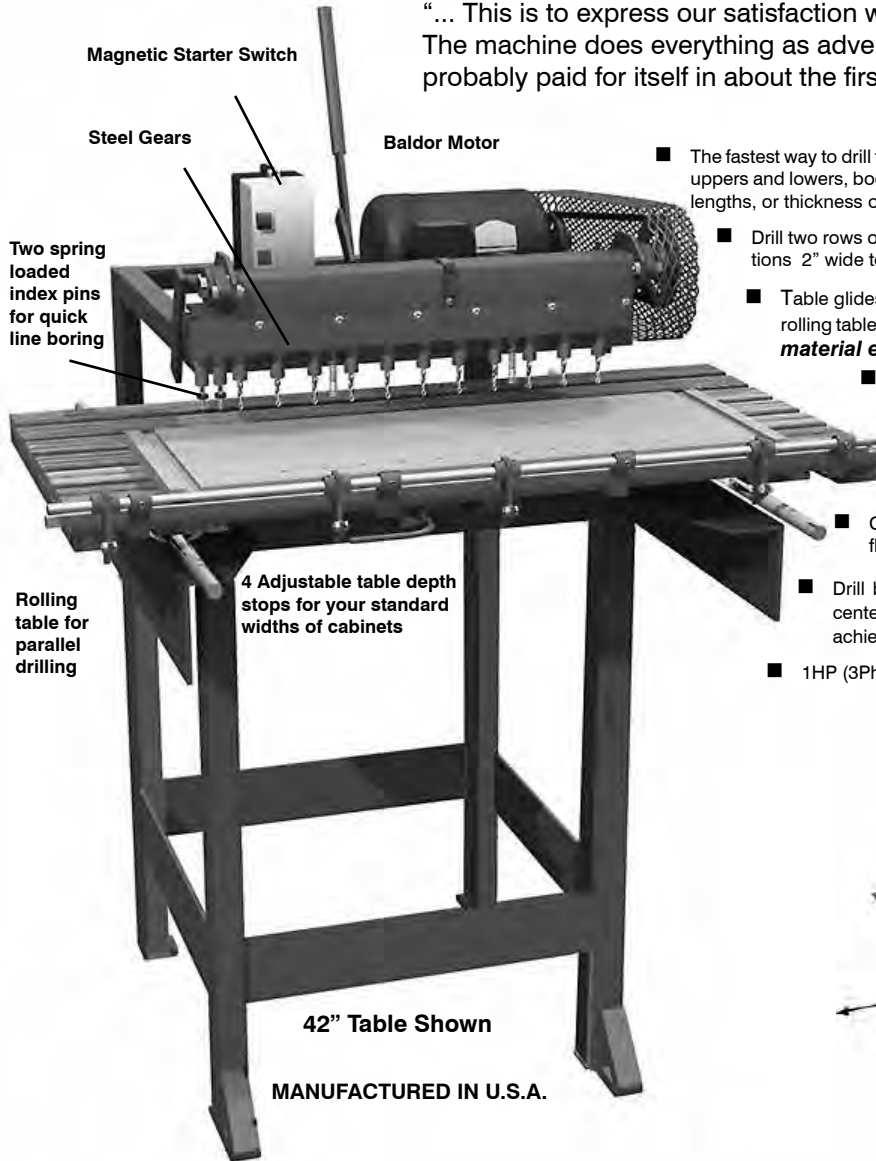
WEAVER

Simple to operate!

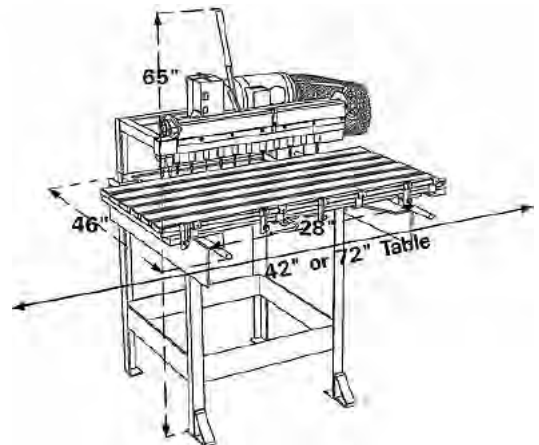
THE MULTIPLE DRILL FOR ADJUSTABLE SHELVING

"... This is to express our satisfaction with your Multiple Spindle Drill The machine does everything as advertised, is a joy to operate, and probably paid for itself in about the first two weeks."

C. A. Forsberg Co.
Custom Built Cabinets



- The fastest way to drill for adjustable shelves in kitchen cabinets, uppers and lowers, bookcases and etc. covering a wide range of lengths, or thickness of material.
- Drill two rows of eleven holes in your finished ends, wall ends or partitions 2" wide to 26" wide and any length of material in 10 seconds.
- Table glides on ball bearing rollers for quick adjustment in width, rolling table also insures parallel drilling. **You don't have to turn the material end-to-end!**
 - Operates like a drill press so starting the drills or the speed of drilling is easily controlled for the type of material being drilled.
 - Adjustable depth gauge is set for drilling uniform depth, regardless of the thickness of the material.
- Quick and easy to adjust length gauges allows you to position flip stops as needed for right to left material movement.
- Drill bits - bradpoint - 1/4" shank - 2 1/2" overall - spaced on 2" centers turning at 1200 rpm (using the 2nd index pin, 1" spacing achieved).
- 1HP (3Ph or 1PH 220v, or 110v 1PH). Bits turning at 1200 rpm.



Comes assembled and ready to work for you. 11 HSS brad point drill bits and pre-wired with a 10-ft. cord included

Item No.	Description	Price
DM11-2-11-72-1/4-H	1HP, 1 PH, 72" Table	\$14,394
DM11-2-13-72-1/4-H	1HP, 3 PH, 72" Table	\$14,274
DM11-2-11-72-5mm-H	1HP, 1 PH, 72" Table	\$14,394
DM11-2-13-72-5mm-H	1HP, 3 PH, 72" Table	\$14,274

THE MULTIPLE DRILL IS EASY TO OPERATE !

Ball bearings and steel beveled gears make an easy running, accurate, productive and economical machine, designed to last.

Multiple Spindle Drill Machine Bits						
Item No.	Type	Dia	Shank	Length	Material	Price
DMXDB0250R	Brad Point	1/4"	1/4"	2-1/2"	HSS	\$14
DMXDB05mmR	Brad Point	5mm	1/4"	2-1/2"	HSS	\$31
DMXDB0250L	Brad Point	1/4"	1/4"	2-1/2"	HSS	\$14
DMXDB05mmL	Brad Point	5mm	1/4"	2-1/2"	HSS	\$31
DMXDB-025-10MM-TCT-R	Brad Point	1/4"	10mm	57mm	Carbide	\$14
DMXDB-5MM-10MM-TCT-R	Brad Point	5mm	10mm	57mm	Carbide	\$14
DMXDB-025-10MM-TCT-L	Brad Point	1/4"	10mm	57mm	Carbide	\$17
DMXDB-5MM-10MM-TCT-L	Brad Point	5mm	10mm	57mm	Carbide	\$17

MANUFACTURED IN U.S.A.

www.weaver-company.com

Phone 1-913-831-1800

CALL TOLL FREE 1-800-255-6214

Fax 1-913-831-2974

Copyright © 2022 all Rights Reserved

WEAVER COMPANY - 1108 SOUTH 37TH STREET - KANSAS CITY, KS 66106 USA

- 179 -



Magnetic Switches

SINGLE PHASE:

Item No.	HP	Phase	Volts	Price
SW31220	3	Single	220	\$276
SW51220	5	Single	220	\$324

THREE PHASE:

Item No.	HP	Phase	Volts	Price
SW33220	3	Three	220	\$252
SW33440	3	Three	440	\$252
SW53220	5	Three	220	\$276
SW53440	5	Three	440	\$276
SW73220	7 1/2	Three	220	\$312
SW73440	7 1/2	Three	440	\$312

Motors

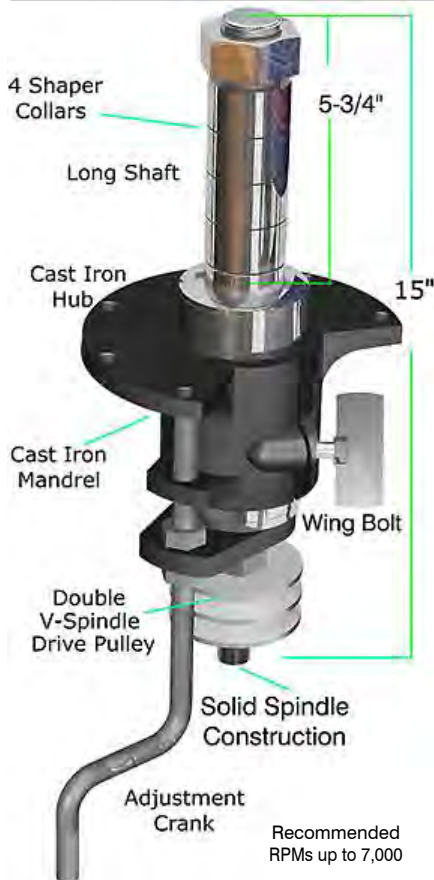


SINGLE PHASE:

Item No.	HP	Phase	Cycles	Volts	RPMs	NEMA Frame	Price
MO213450-145T	2	Single	60	220	3,450	145T	\$1,500
MO313450-182T	3	Single	60	220	3,450	182T	\$1,700
MO513450	5	Single	60	220	3,450	184T	\$1,900

THREE PHASE:

Item No.	HP	Phase	Cycles	Volts	RPMs	NEMA Frame	Price
MO333450-145T	3	Three	60	220/440	3,450	145T	\$1,900
MO333450-182T	3	Three	60	220/440	3,450	182T	\$1,600
MO533450	5	Three	60	220/440	3,450	184T	\$1,700
MO733450	7 1/2	Three	60	220/440	3,450	184T	\$2,100

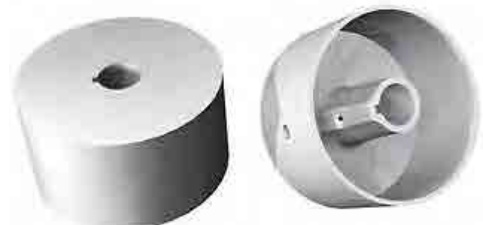


Shaper Mandrels

SHAPER MANDRELS

Item No.	Description	Price
SP3000	3/4" Spindle	\$2,123
SP4000	1" Spindle	\$2,219
SP6000	1 1/4" Spindle	\$2,267

Aluminum Flat Drive Pulleys



Item No.	Arbor (Motor)	Price
SHXPU1	1 1/8" Spindle	\$299
SHXPU2	7/8" Spindle	\$299

Power Rated V-Belts



Item No.	Description	Price
SHXBE24	Most Current Shapers	\$19
SHXBE26	For Std. Top 145T Frame	\$19
SHXBE35	For Old Large Top 182T	\$19
SHXBE37	For Old Style Large Top 145T Frame	\$19

MANUFACTURED IN U.S.A.

www.weaver-company.com

Phone 1-913-831-1800

CALL TOLL FREE 1-800-255-6214

Fax 1-913-831-2974

WEAVER CARBIDE TIPPED SAW BLADES



All these saw blades are Carbide Tipped, 10" O.D., 5/8" Bore and .125" Kerf

SUPER SAVINGS ON GREAT SAW BLADES! Stehle has been manufacturing industrial woodworking tooling for over 75 years. Their quality is known around the world.

As you realize, not all saw blades are alike. With **Stehle quality** you will receive German hard precision steel saw blade plates and micro-grade carbide tips, all manufactured under rigid standards of quality.

Because of improved technology, including automation, we are able to offer you some of the finest quality carbide tipped saw blades at a **very affordable price**. After using Stehle Saw Blades you will agree with us that they are some of the **BEST BLADES AT ANY PRICE**.

Designed for Ripping Lumber Fast

Carbide Tipped, 10" O.D., 5/8" Bore and .125" Kerf:

ALTERNATE TOP BEVEL GRIND

24 teeth

Item No. Description

SB1024 Ripping Lumber

MARKET PRICE	OUR PRICE	SALE PRICE
\$97	\$92	\$19.50

SOLD OUT!

Designed for General Purpose Cross Cut & Ripping

Carbide Tipped, 10" O.D., 5/8" Bore and .125" Kerf:

4 ALTERNATE TOP BEVEL GRIND, 1 RAKER

50 teeth

Item No. Description

SB1050 General Purpose / Sandblasting

MARKET PRICE	OUR PRICE	SALE PRICE
\$79	\$49	\$24.50

SOLD OUT!

Designed for Cross-cutting Lumber & Plywood

Carbide Tipped, 10" O.D., 5/8" Bore and .125" Kerf:

ALTERNATE TOP BEVEL GRIND

80 teeth

Item No. Description

SB1081 Cross-cut Lumber/Plywood

MARKET PRICE	OUR PRICE	SALE PRICE
\$109	\$59	\$29.50

SOLD OUT!

SOLD OUT!

Designed for General Purpose Cross Cut & Ripping

Carbide Tipped, 10" O.D., 5/8" Bore and .125" Kerf:

ALTERNATE TOP BEVEL GRIND

60 teeth

Item No. Description

SB1061 General Purpose / Glass Cut

MARKET PRICE	OUR PRICE	SALE PRICE
\$89	\$49	\$24.50

SOLD OUT!

Designed for Particle Boards & One-sided Plastic Coated Materials

Carbide Tipped, 10" O.D., 5/8" Bore and .125" Kerf:

TRIPLE CHAM GRIND

60 teeth

Item No. Description

SB1063 Particle Boards, One-sided

MARKET PRICE	OUR PRICE	SALE PRICE
\$89	\$49	\$24.50

SOLD OUT!



SPECIAL! Off Up to 50% Carbide Tipped Sawblades

10" Carbide Tipped Sawblades

5/8" Arbor

CALL TOLL FREE 1-800-255-6214

weaver-company.com

Weaver Company - 1108 South 37th Street - Kansas City, KS 66106

MADE IN AUSTRIA/USA Stocked for fast delivery

Phone 1-913-831-1800 - Fax 1-913-831-2974

weaver-company.com

SHAPING MACHINERY & TOOLING FOR YOUR SHOP!

Affordable Industry Leading Quality & Production

... Shaper Systems, Shaper Essentials, Cutters, Accessories, Saw Blades, Power Feeders ...

VARIABLE SPEED BELT POWER FEEDER

Page 164

Hinged for quick removal - Easily lifted out of the way to use jig, shaper or change cutters

Continuous Duty



Works Anywhere 110 Volts

300-lb. Torque Motor

MADE IN THE U.S.A.

Variable Speed for running different types of material and depth of cut

Item No.	Description	Price
PF721W	Weaver Double Bond Belt Power Feeder	\$3,594

Angle of belts are easily adjusted - feed stock into fence or away from fence.

SHAPERMASTER™ PNEUMATIC CROWN DOOR FIXTURE SYSTEM

Pages 172-176

Air Crown Door Jigs

GLIDES ON AIR CUSHION

Built In Rack & Pinion Centering Device

19", 24", & 32" Openings.
Work with Stock up to 2 1/4" Thick

24" AJ2402 Shown - \$2,394

Pneumatic Clamps & Air Ride



MADE IN the U.S.A.

**Air Jigs rides on an a thin cushion of air!
ACCURATE - EFFORTLESS**

AIR TENON FIXTURES

Page 5

Openings 1 1/8" and 1 3/8" Wide, Work with Stock up to 2 1/4" Thick

Air Tenon Fixture
#AJ1201RW \$1,434



MADE IN the U.S.A.

RIDES IN STANDARD 3/8" x 3/4" GROOVE IN SHAPER TOP

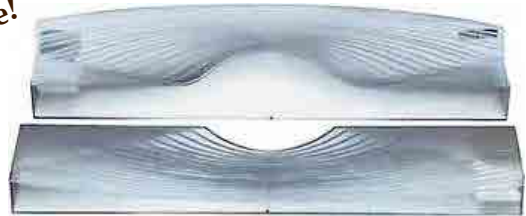
PLEXIGLASS RAIL & PANEL PATTERN SETS

Page 173-177

10 Styles Available!

Pattern Set Shown:

#PA2417 \$379



For use with Shapermaster™ Air Crown Rail & Panel Jigs

CROWN PANEL & RAIL JIGS & PATTERNS

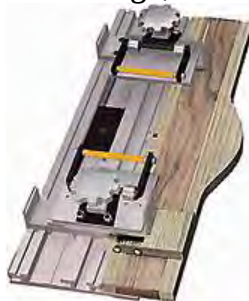
Page 168-170

JM330 Crown Rail Jig \$628



MADE IN the U.S.A.

JM310 Crown Rail Jig \$683



CROWN RAIL JIGS

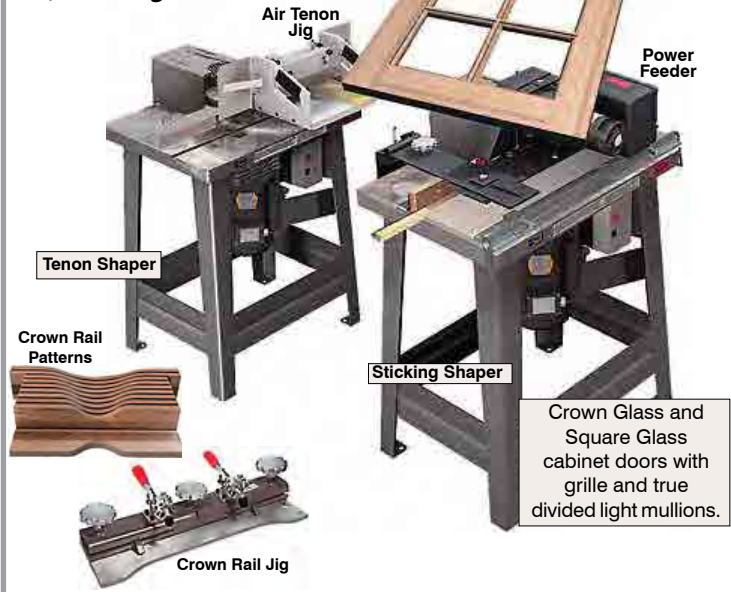
This jig features a built-in rack & pinion gear centering device for top Rail.

CROWN PANEL JIGS

This jig features a built-in rack & pinion gear centering device for crown panels.

GLASS MULLION CABINET DOOR SHAPER SYSTEM

\$23,994 - Page 18.



Air Tenon Jig

Power Feeder

Tenon Shaper

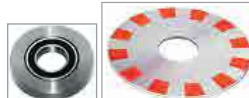
Crown Rail Patterns

Sticking Shaper

Crown Glass and Square Glass cabinet doors with grille and true divided light mullions.

Crown Rail Jig

Ball Bearing Rub Collars & Warning Discs- Page 136-137



Catalog Jan 2022

CALL TOLL FREE 1-800-255-6214

182 - Jan 2022

Weaver Company
1108 South 37th Street - Kansas City, 66106
(Copyright ©2022 Weaver Company - All Rights Reserved)

WEAVER DOOR SYSTEMS · SHAPER ESSENTIALS · CUTTERS · JIGS · FENCES

MAY 2018

DRILL MACHINES · EDGE SANDER · POWER FEEDERS

WEAVER